

# SUZUKI

## PARTS CATALOGUE

**SUZUKI**

# LJ80-2

---

**(LJ80-2Q·LJ80V-2)  
(LJ81K-2·LJ81P-2)**

---

---

## **SUZUKI LJ80-2**



Frame Number

LJ80-107001~

EC : LJ8000500001~

## **SUZUKI LJ80V-2**



Frame Number

LJ80-107001~

EC : LJ80V00500001~

# **SUZUKI LJ80-2Q**



Frame Number

LJ80-107001~

EC : LJ8000500001~

# **SUZUKI LJ81P-2/LJ81K-2**

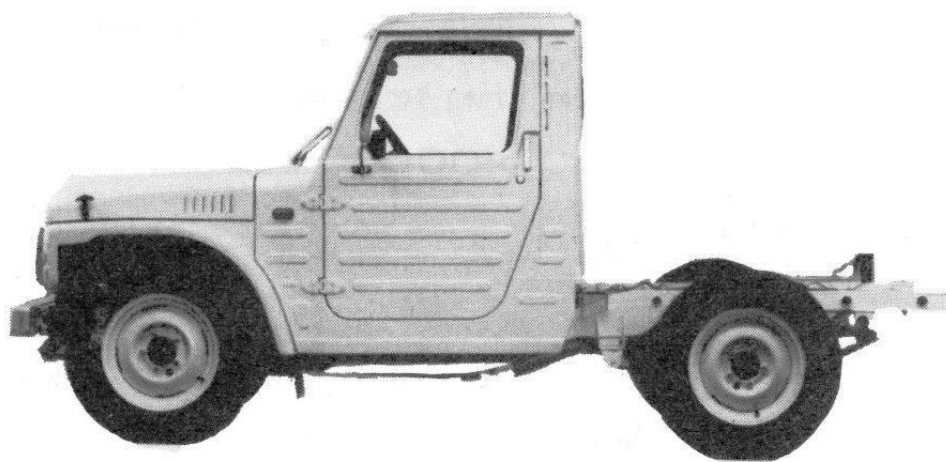


PHOTO : LJ81P-2

Frame Number

LJ81-105001~

# P R E F A C E

When it becomes necessary to replace parts on SUZUKI VEHICLES, always use SUZUKI GENUINE PARTS which have passed a strict inspection which guarantees quality and performance.

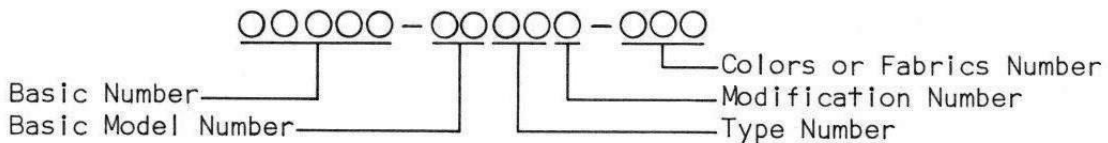
This parts catalogue covers the list of all service parts for SUZUKI LJ80-2(Q), LJ80V-2 and LJ81-2(K,P).

Frame Serial No. : LJ80-2 ..... LJ80-107001~  
 LJ80V-2 ..... E2,E19,E25 spec.  
 LJ81K-2 ..... LJ81-105001~ LJ80-2 ..... LJ8000500001~  
 LJ81P-2 ..... LJ80V-2 ..... LJ80V00500001~

## A. INSTRUCTIONS FOR QUOTING THE CATALOGUE

### 1. COMPOSITION OF THE PART NUMBER

#### 1-1. REGULAR PARTS

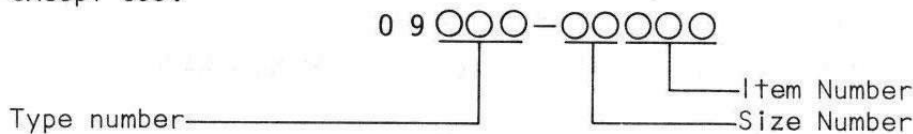


#### 1-2. STANDARD PARTS

Numbers of all standard parts begin with 0 except beginning with 09 or 000.

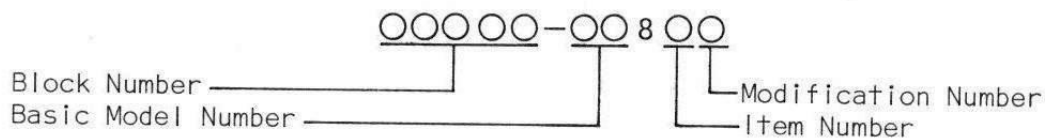
#### 1-3. SPECIAL STANDARD PARTS

Special standard parts are parts which are similar to standard parts but differ in some respect. All special standard parts numbers begin with 09 except 099.



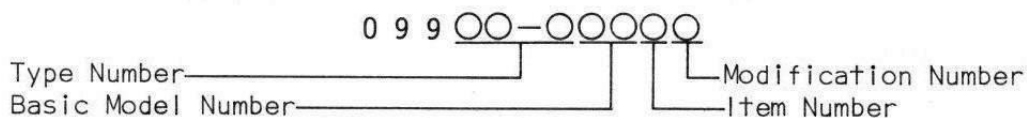
#### 1-4. PARTS ASSEMBLIES

The eight digit of numbers of parts assemblies is always 8.



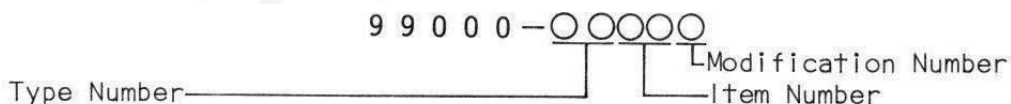
#### 1-5. SPECIAL TOOLS

Part Numbers begin with 099.



#### 1-6. MISCELLANEOUS

Part numbers begin with 99000.



## 2. DIMENSIONS

Dimensions of the parts in this catalogue are indicated in unit millimeters.

## 3. ABBREVIATIONS

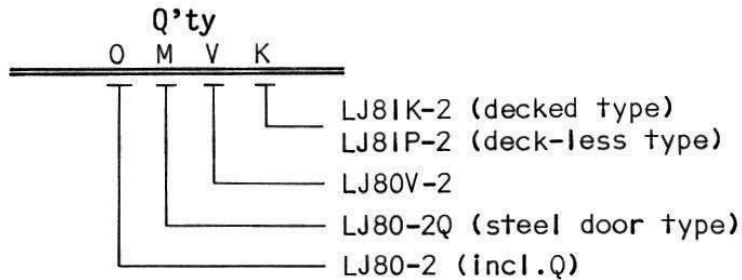
Abbreviations used in this catalogue are as follows:

AR : As required	L : Length
ASSY : Assembly	NT : Number of teeth
F.No. : Frame Number	OPT : Optional
d : Diameter of material	OS : Over size
ID : Inside diameter	US : Under Size
OD : Outside diameter	STD : Standard
LH : Left hand side	T : Thickness
RH : Right hand side	W : Width
~123456 : Up to F.No.LJ80-123456	RHD : Right Handle Drive
123456~ : From F.No.LJ80-123456	LHD : Left Handle Drive

Figures in the remarks column show the dimensions of parts as follows:

$$\frac{12}{\text{ID}} \times \frac{34}{\text{OD}} \times \frac{5.6}{\text{T(or W,L)}}$$

The number of letter shown below Q'ty indicate the MODELS NAME.



## 4. INNER PARTS OF ASSEMBLY

Parts number that have a period (.) mark before the parts name will be indicated the inner part in relation to the assembly.

## 5. MODIFICATION NOTICE

A parts bulletin will be sent to you on all occasions when changes in parts occur, including interchangeable modifications between new parts and old ones.

## 6. SPECIFICATION CODE

This catalogue contains the parts for the model designed for the following spec.;

Spec. code: E2, E9, E10, E24, E25, E43, E44, E49.

## 7. COLOR · LEATHER CHART

Color No.	Color Name	Munsell Color Notation
019	Black	N1
072	Argil Gray	2.5PB 9/1
281	Black Semi Gloss	
296	Baikal White	N8.9
382	Black	
396	Black	
404	Grayish Blue	
40S	Active White	
40U	Adventure Black	
827	Pearl White (laminated foam)	
877	Black	
892	Black (Ramie mesh)	
COMBINATION COLOR		
64H	877 + 892	
BOBY COLOR		
01T	Francois White - 2	9.5GY 8.6/0.8
03B	Dandyish Brown	7.5YR 2/1.8
03U	Sunflower Yellow - 2	5Y 7.5/0.5
04T	Pastel Blue	7.5B 7/4
06W	Panama Red	7.5R 5/12.5
07T	Yellow (for New Guinea)	
09Y	Yellow (for Saudi Arabia)	2.5Y 7.9/6.9
748	Grecian Ocher	10YR 5.5/7.4

MILLIMETER → INCH CONVERSION CHART

	0	1	2	3	4	5	6	7	8	9
00	.000	.039	.079	.118	.157	.197	.236	.276	.315	.354
10	.394	.433	.472	.512	.551	.591	.630	.669	.709	.748
20	.787	.827	.866	.906	.945	.984	1.024	1.063	1.102	1.142
30	1.181	1.220	1.260	1.299	1.339	1.378	1.417	1.457	1.496	1.535
40	1.575	1.614	1.654	1.693	1.732	1.772	1.811	1.850	1.890	1.929
50	1.969	2.008	2.047	2.087	2.126	2.165	2.205	2.214	2.283	2.323
60	2.362	2.402	2.441	2.480	2.520	2.559	2.598	2.638	2.677	2.717
70	2.756	2.795	2.835	2.874	2.913	2.953	2.992	3.031	3.071	3.110
80	3.150	3.189	3.228	3.268	3.307	3.346	3.386	3.425	3.465	3.504
90	3.543	3.583	3.622	3.661	3.701	3.740	3.780	3.819	3.858	3.898

How to read

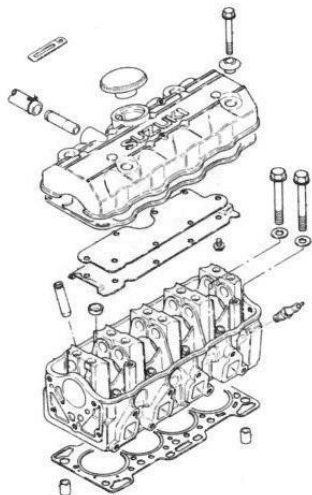
	0	1	2	3	4
00	---	---	---	---	---
10	---	---	---	---	---
20	---	---	---	0.906	---
30	---	---	---	---	---

↖  
23 millimeters equal 0.906 inch

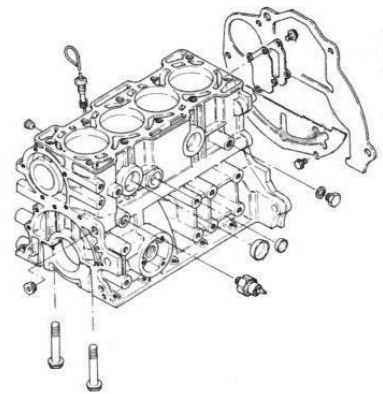
NOTE THAT THE DRAWINGS ON THE ILLUSTRATION PAGE ARE FOR READY REFERENCE OF SPARE PARTS NUMBER, NOT TO BE USED AS AN ASSEMBLY MANUAL. WHEN ASSEMBLING, USE "SUZUKI SERVICE MANUAL".

Contents are subject to change without notice or obligation.

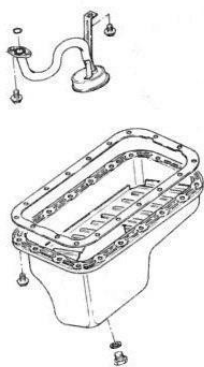
LJ80-2  
LJ80V-2  
LJ81K-2  
LJ81P-2



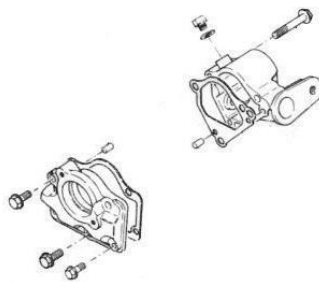
1



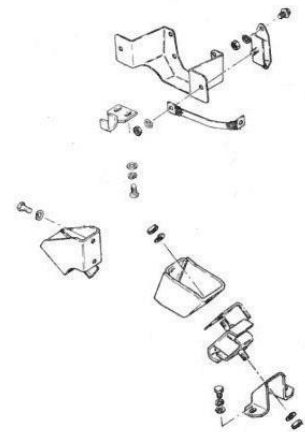
2



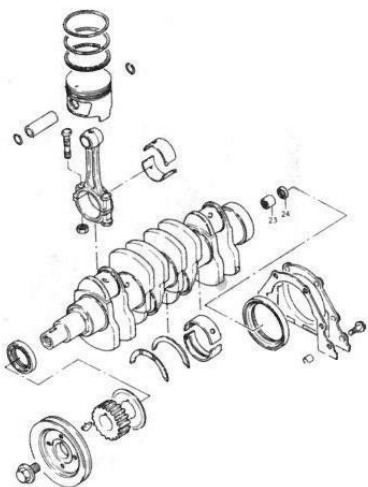
3



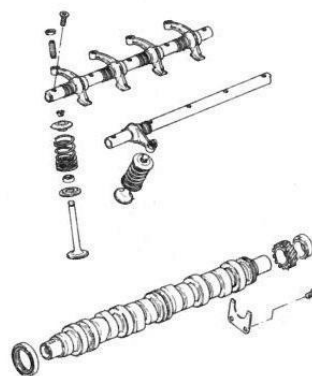
4



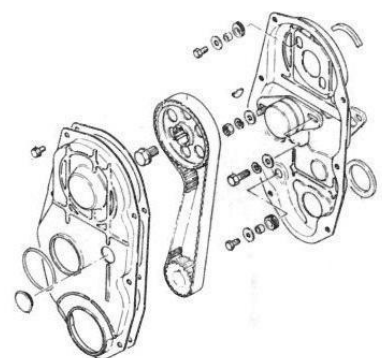
5



6

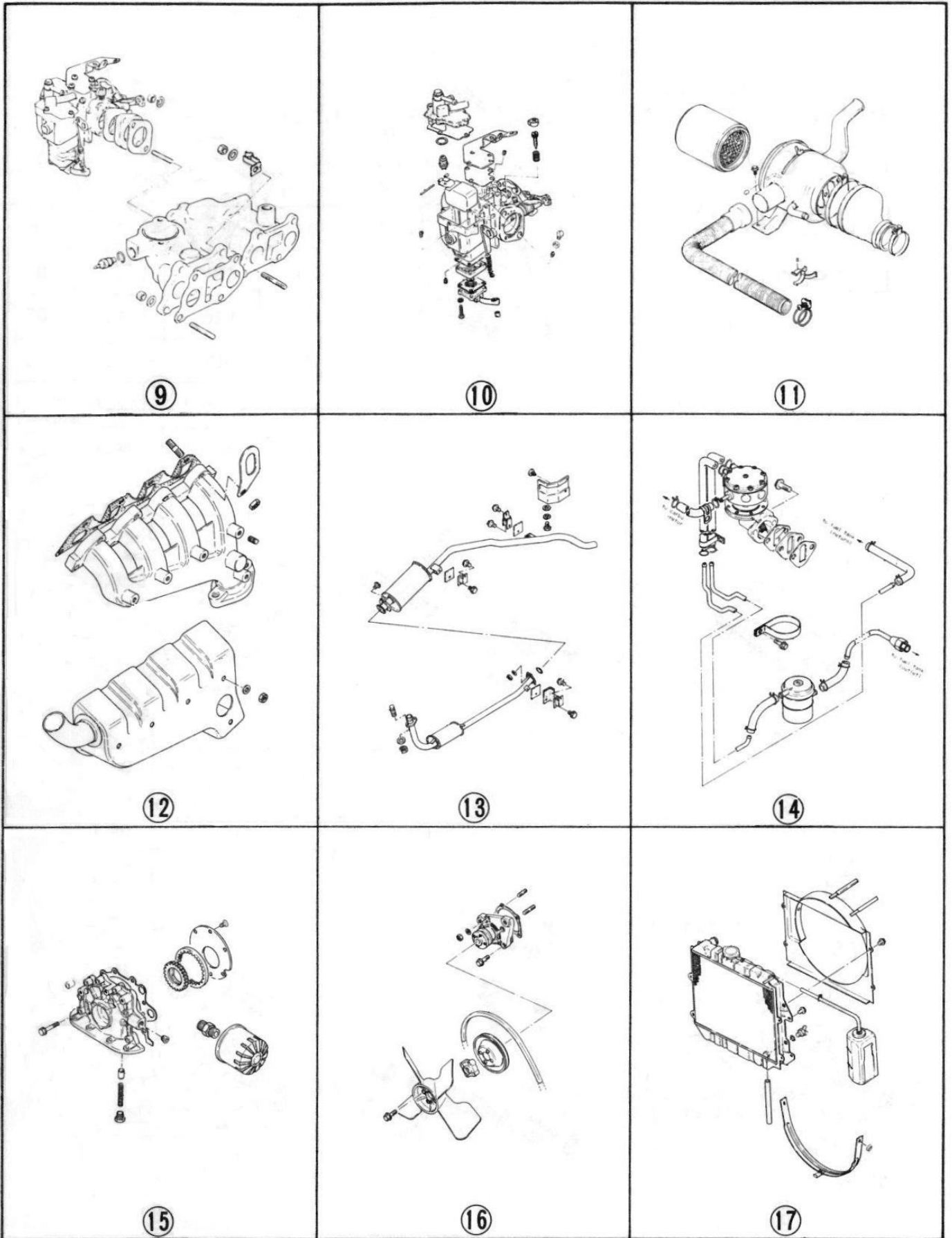


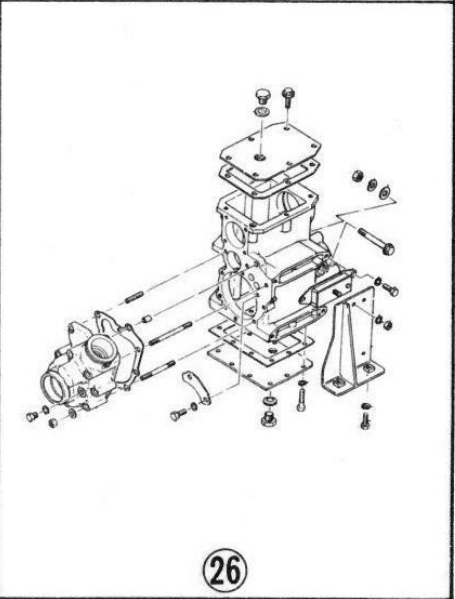
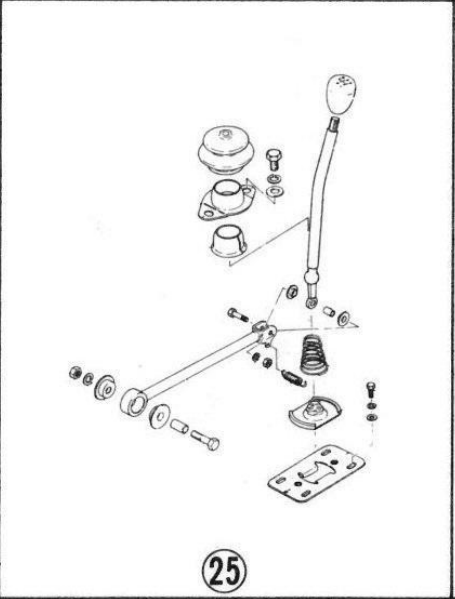
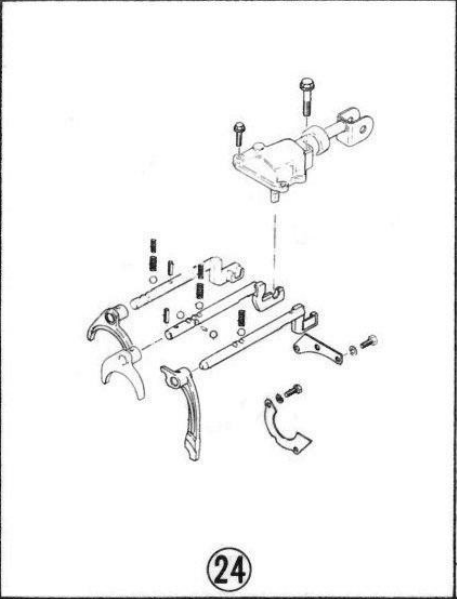
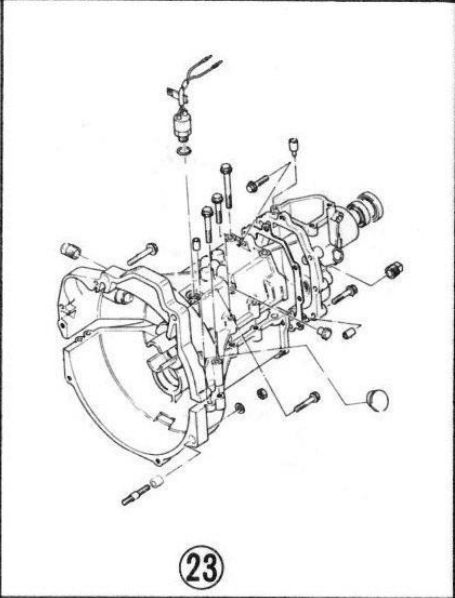
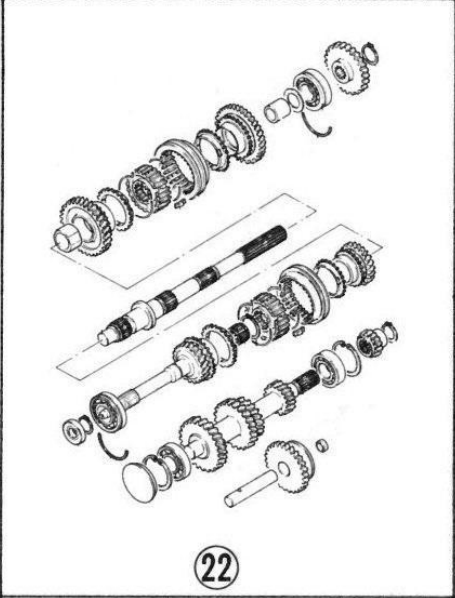
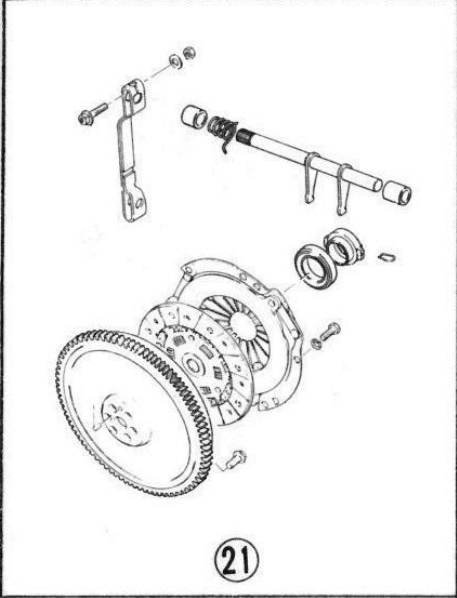
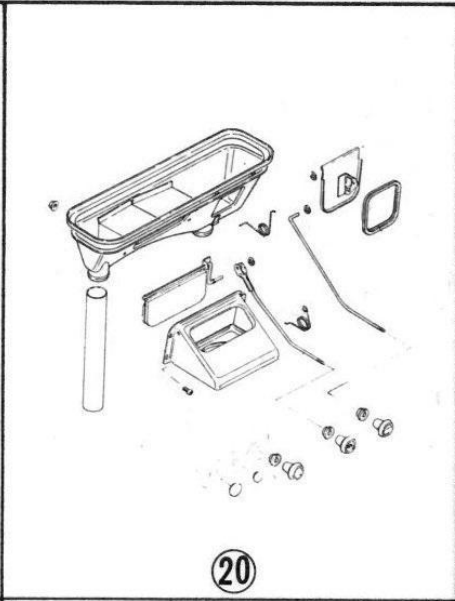
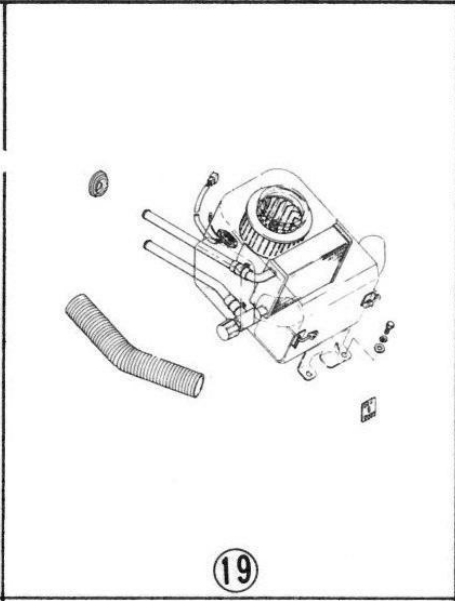
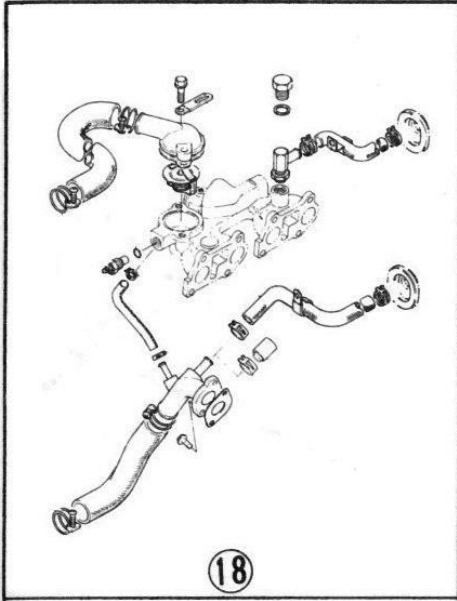
7

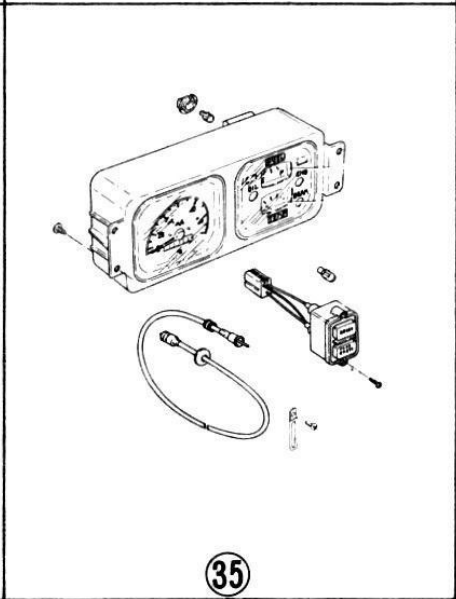
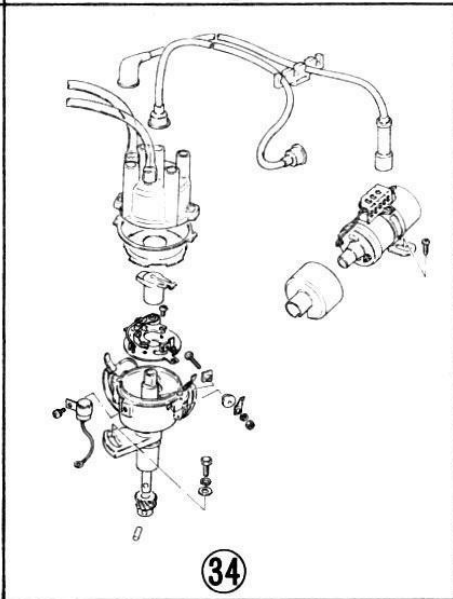
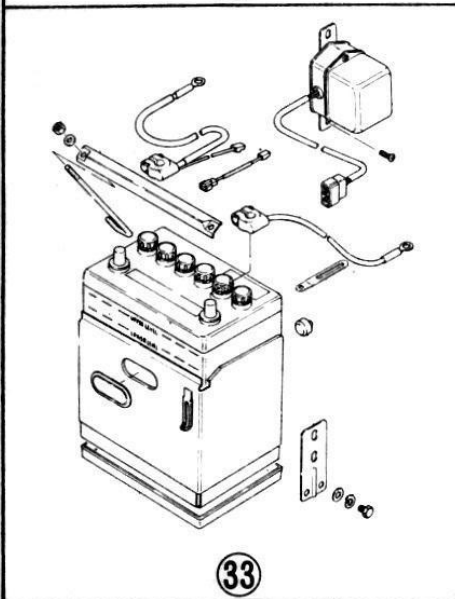
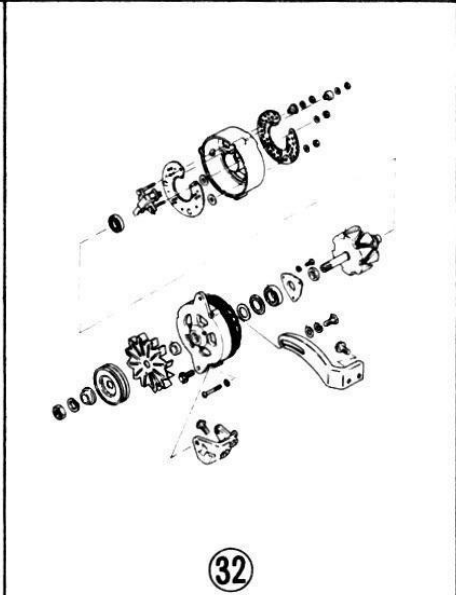
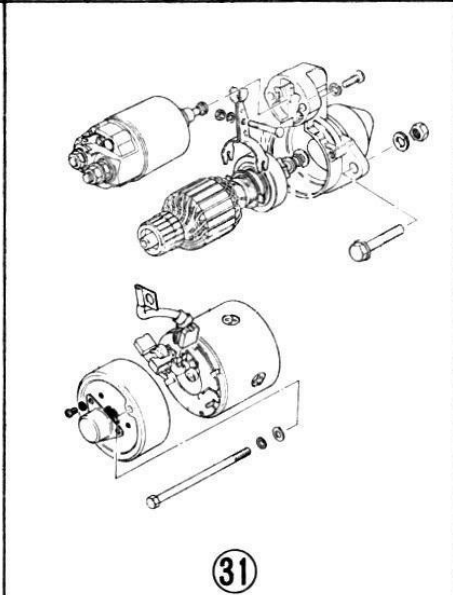
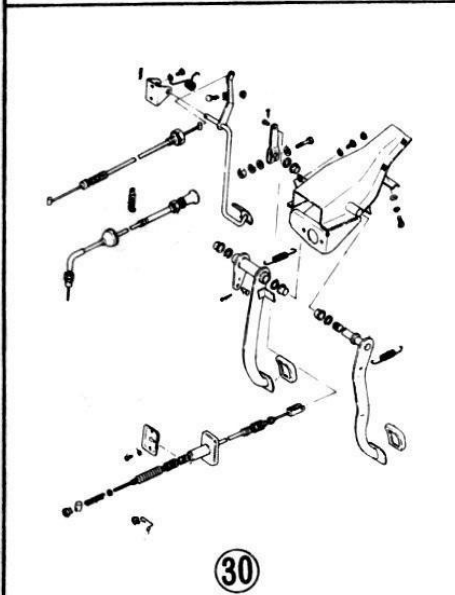
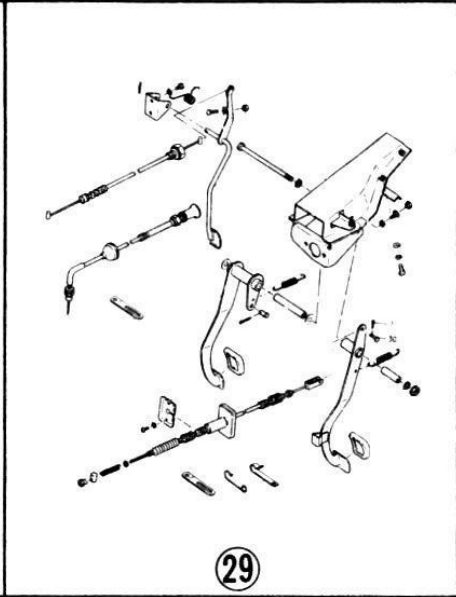
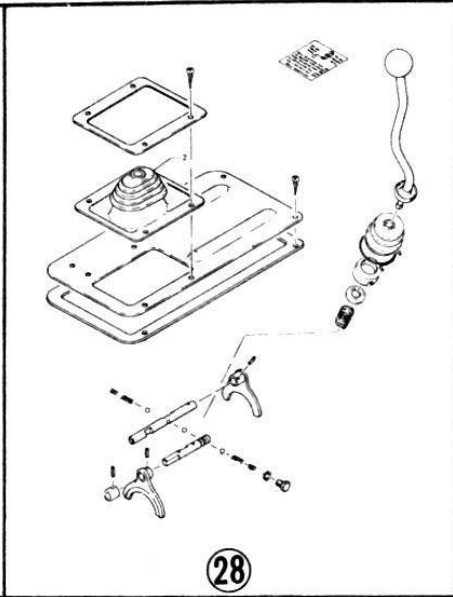
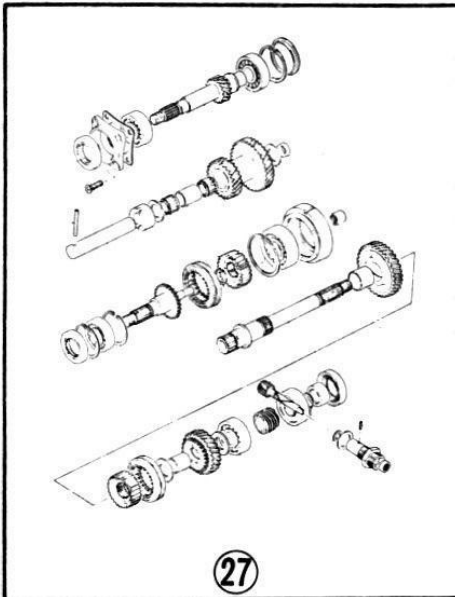


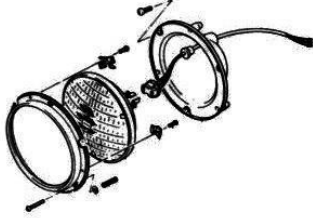
8



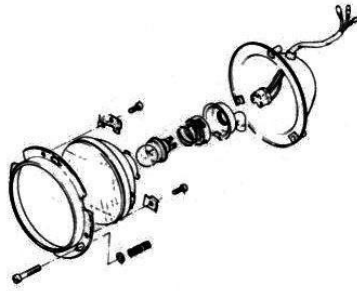




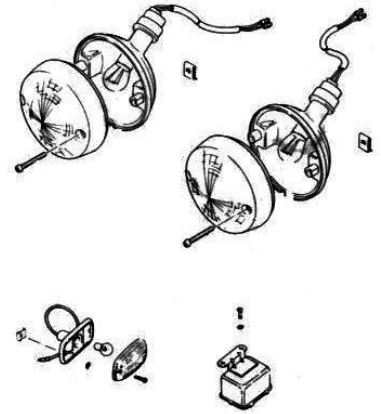




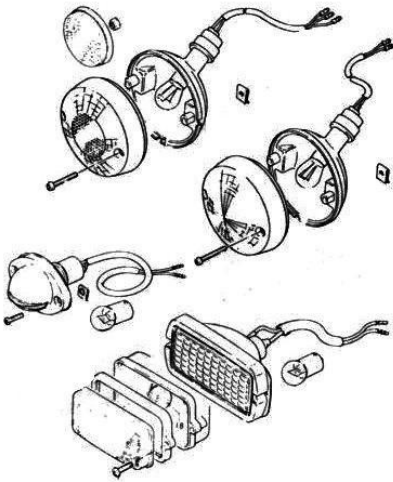
36



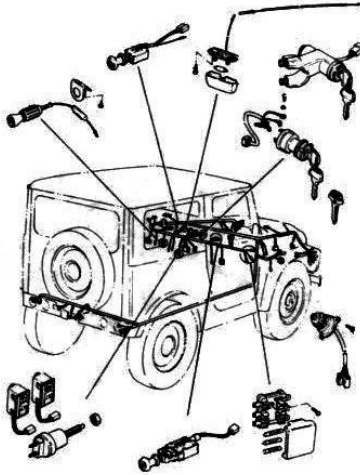
37



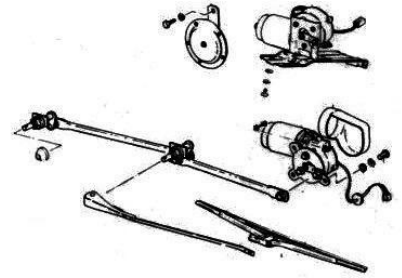
38



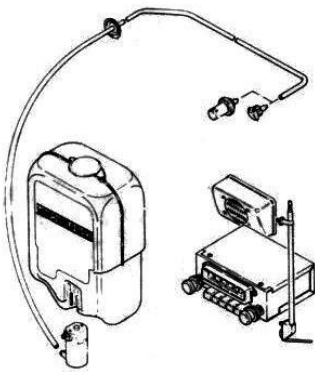
39



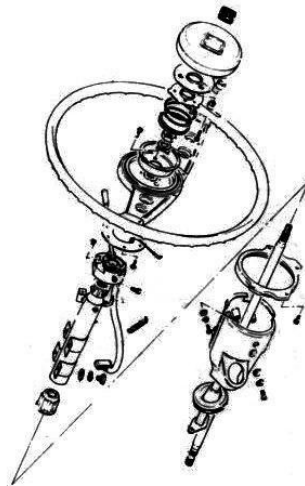
40



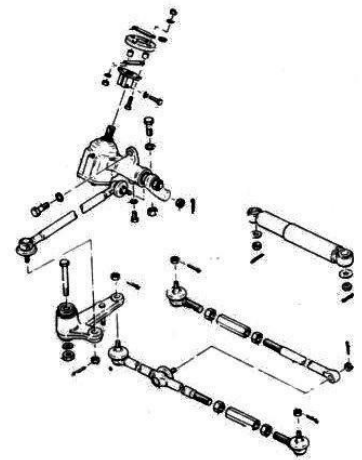
41



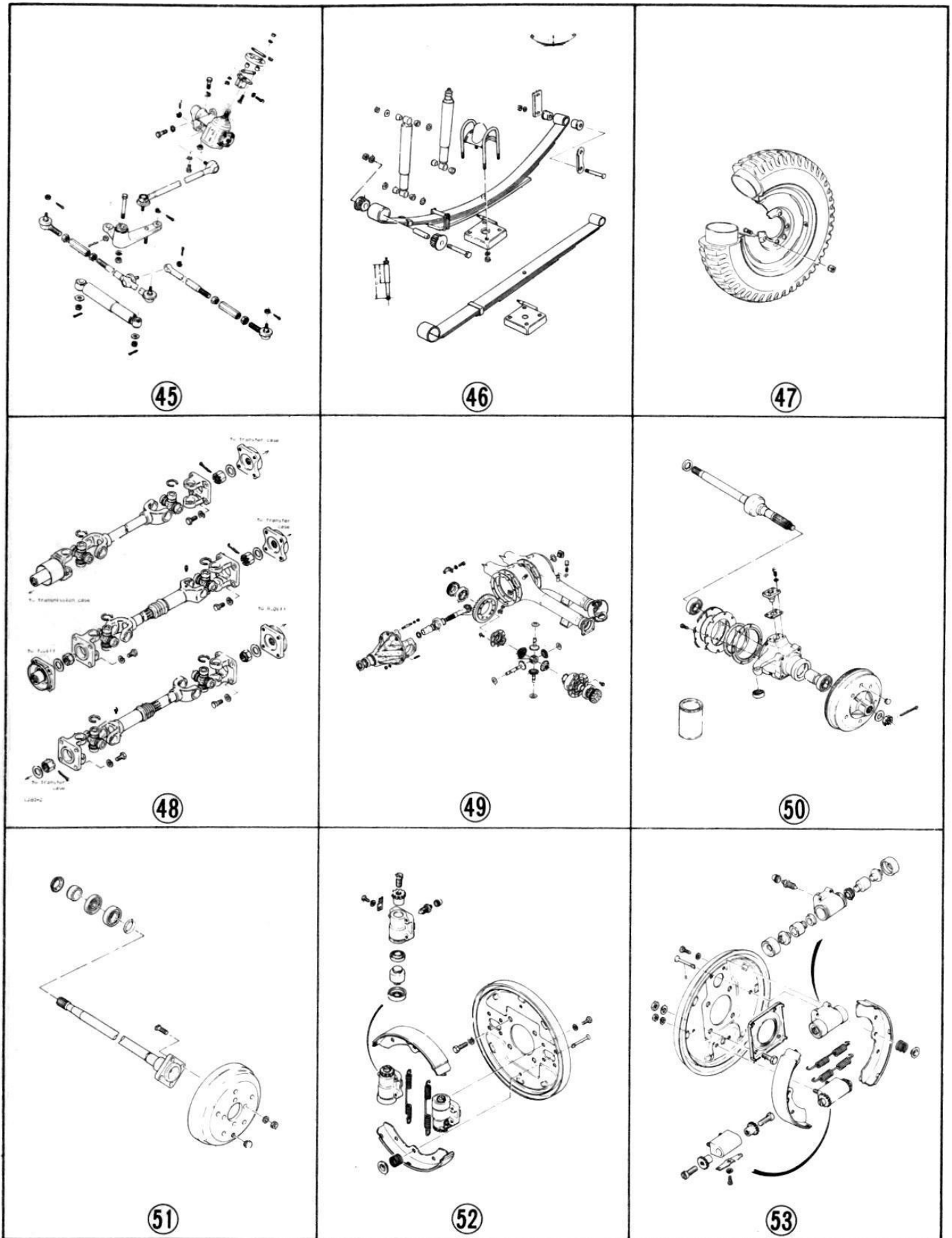
42

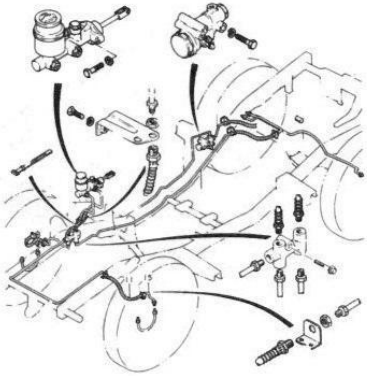


43

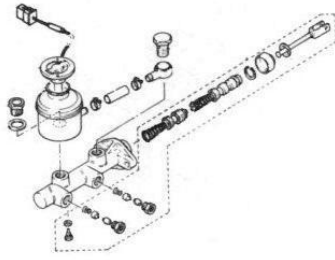


44

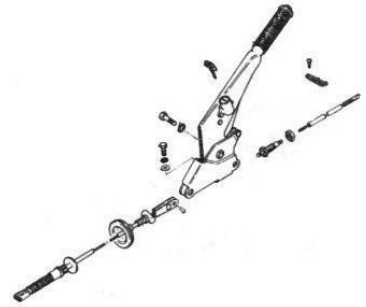




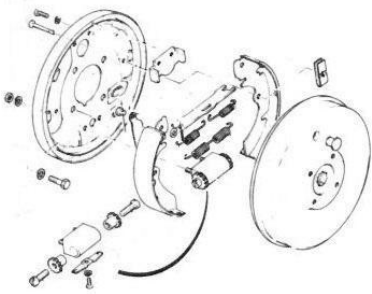
54



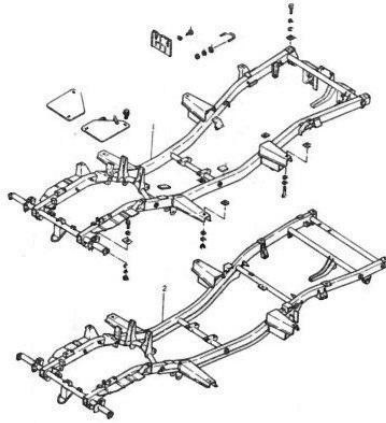
55



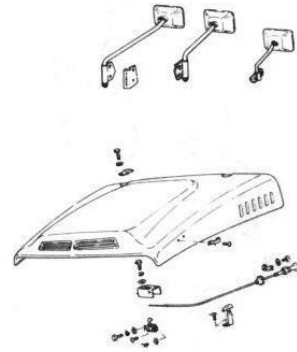
56



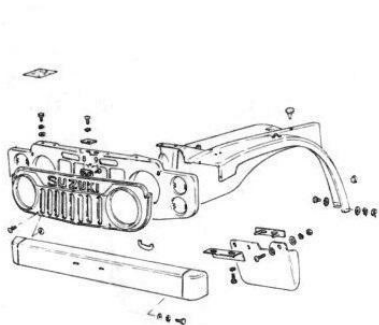
57



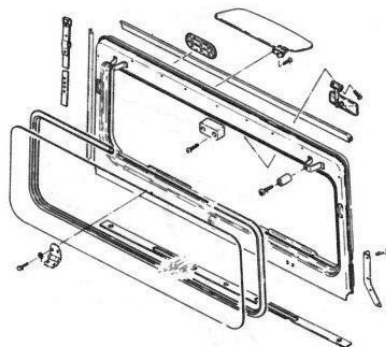
58



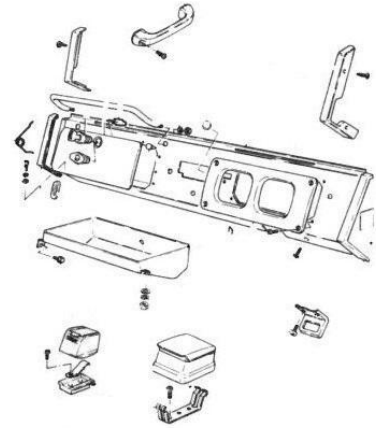
59



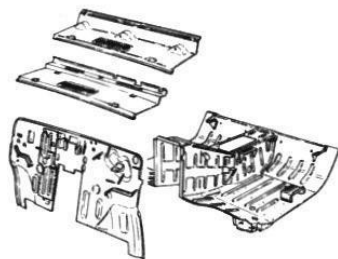
60



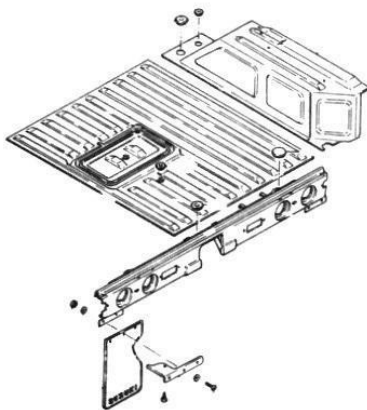
61



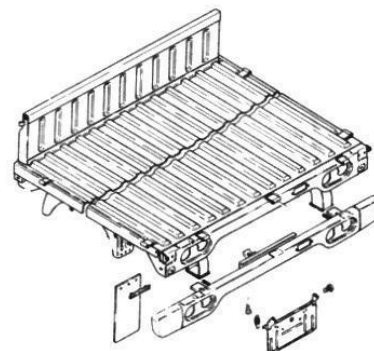
62



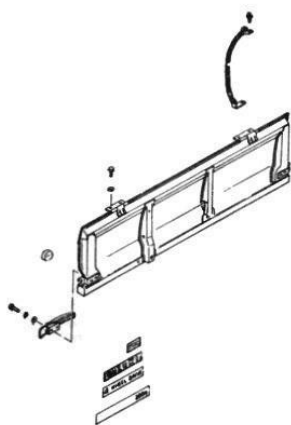
63



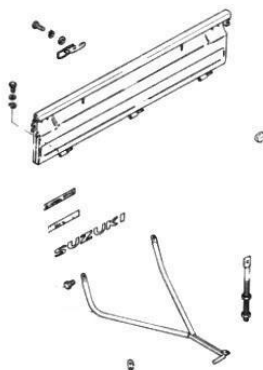
64



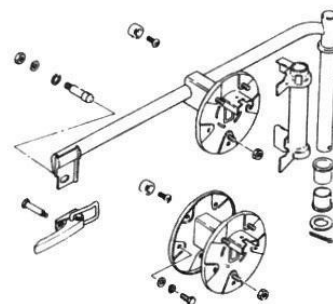
65



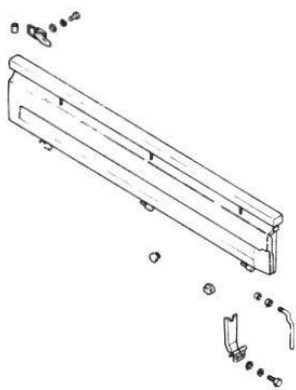
66



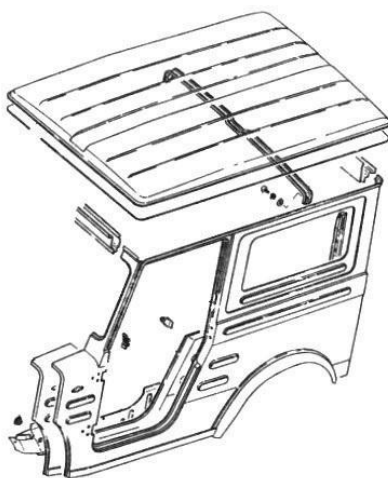
67



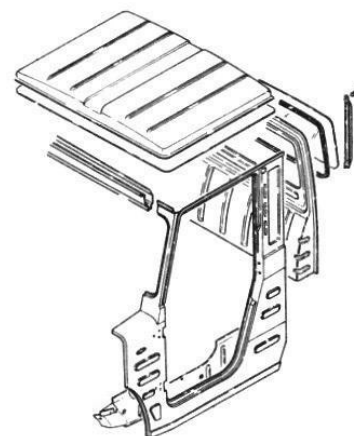
68



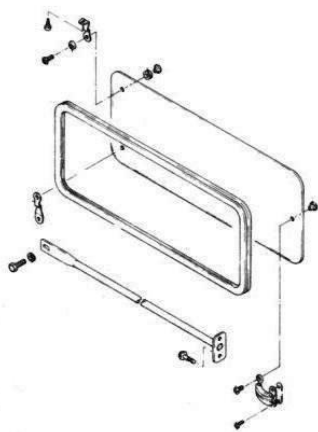
69



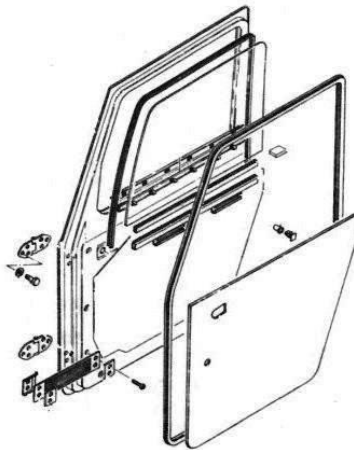
70



71



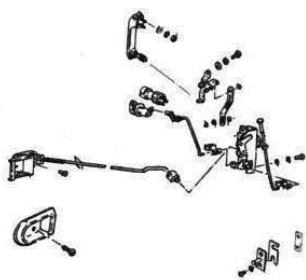
72



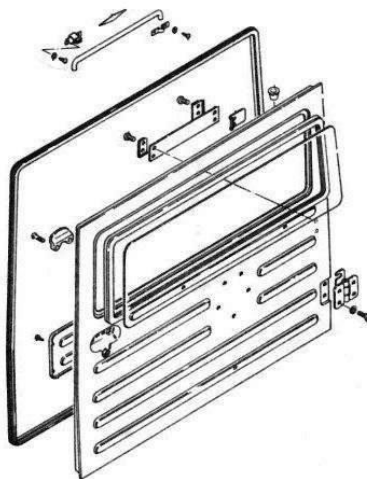
73



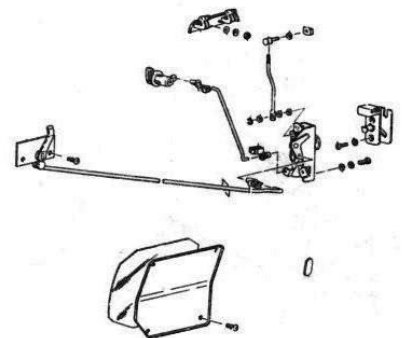
74



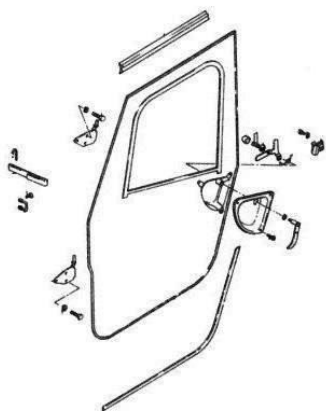
75



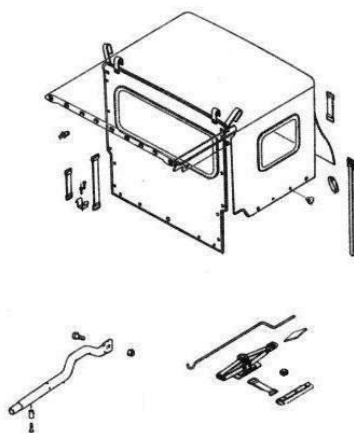
76



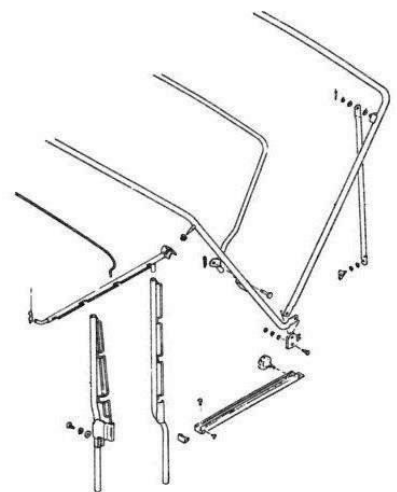
77



78



79



80



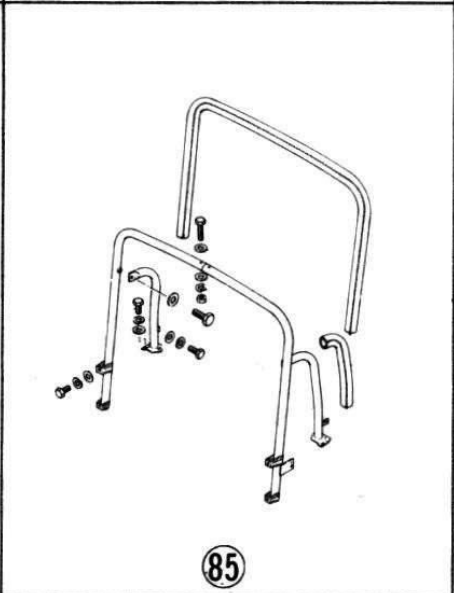
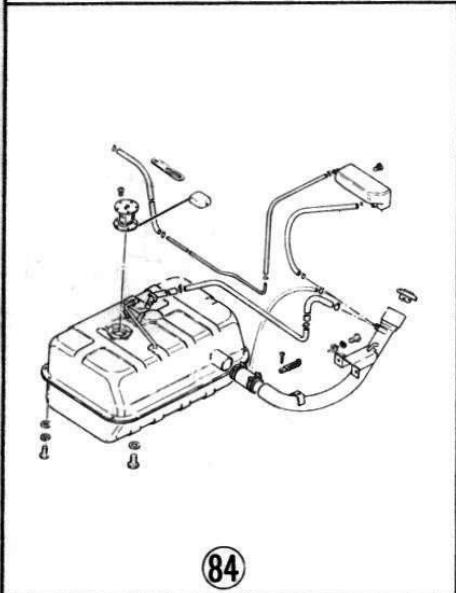
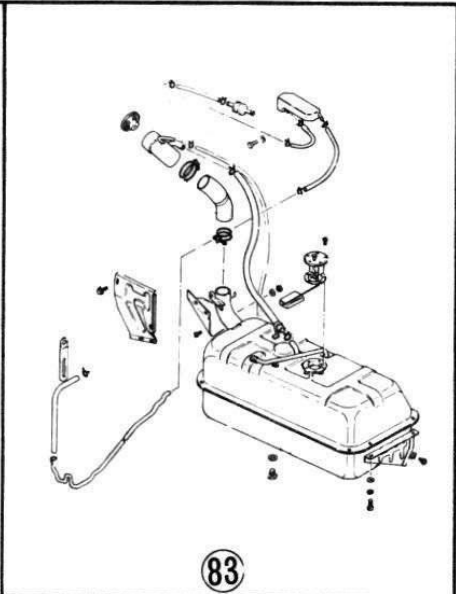
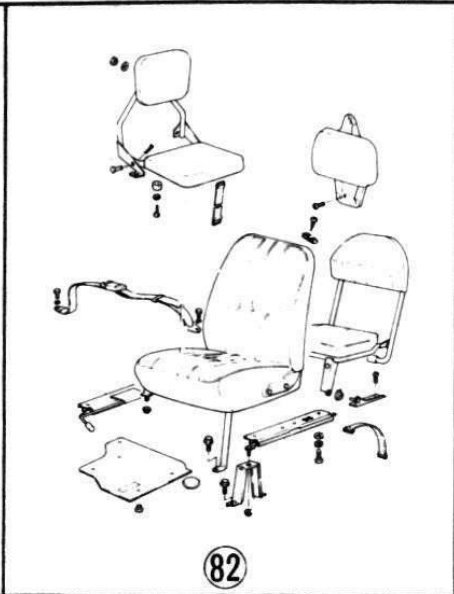
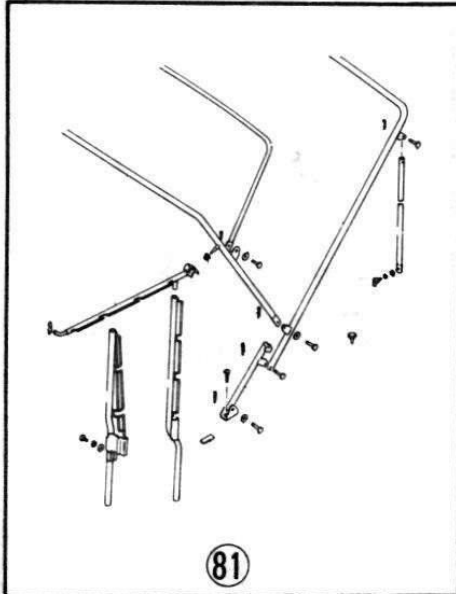
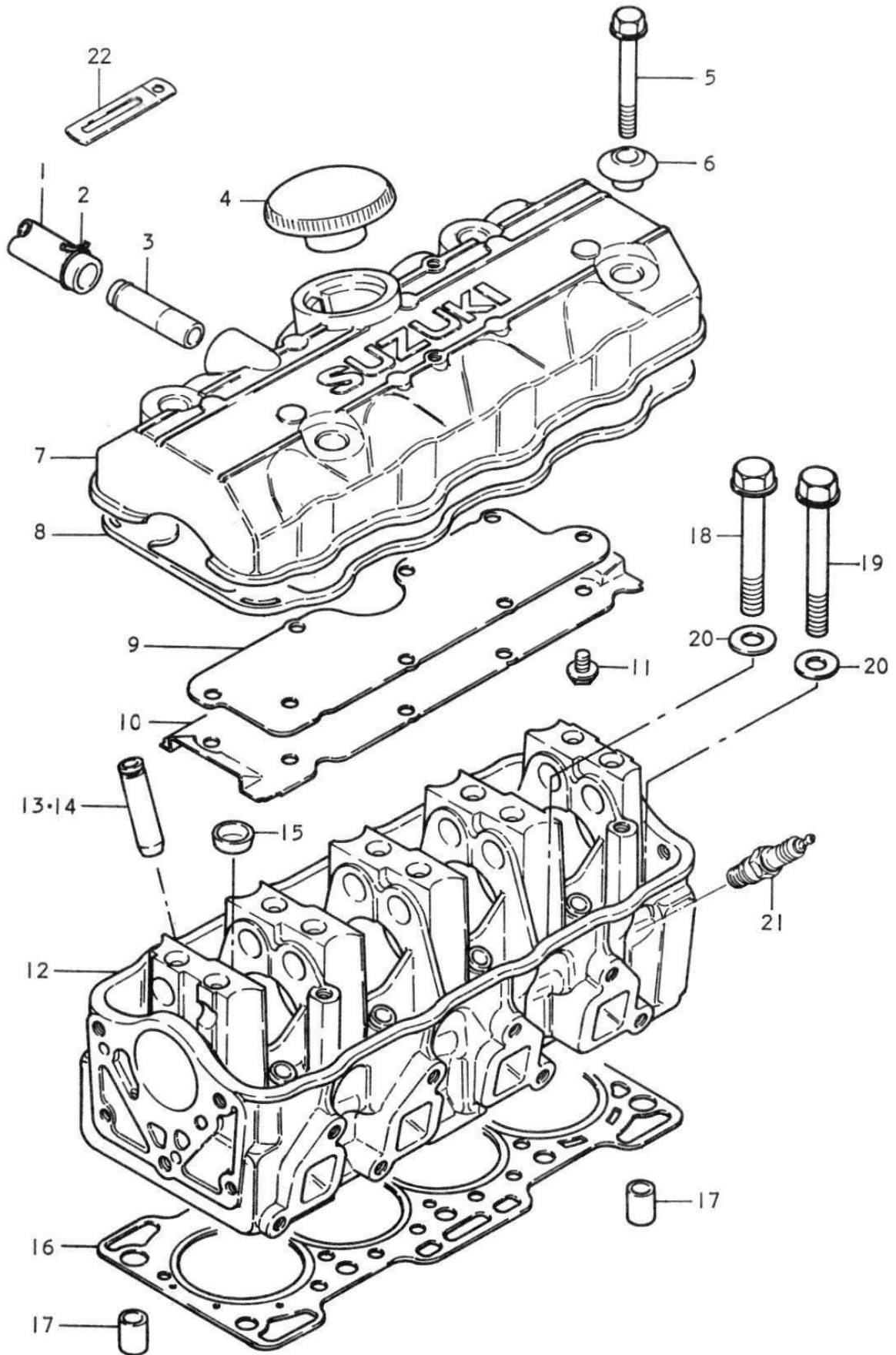
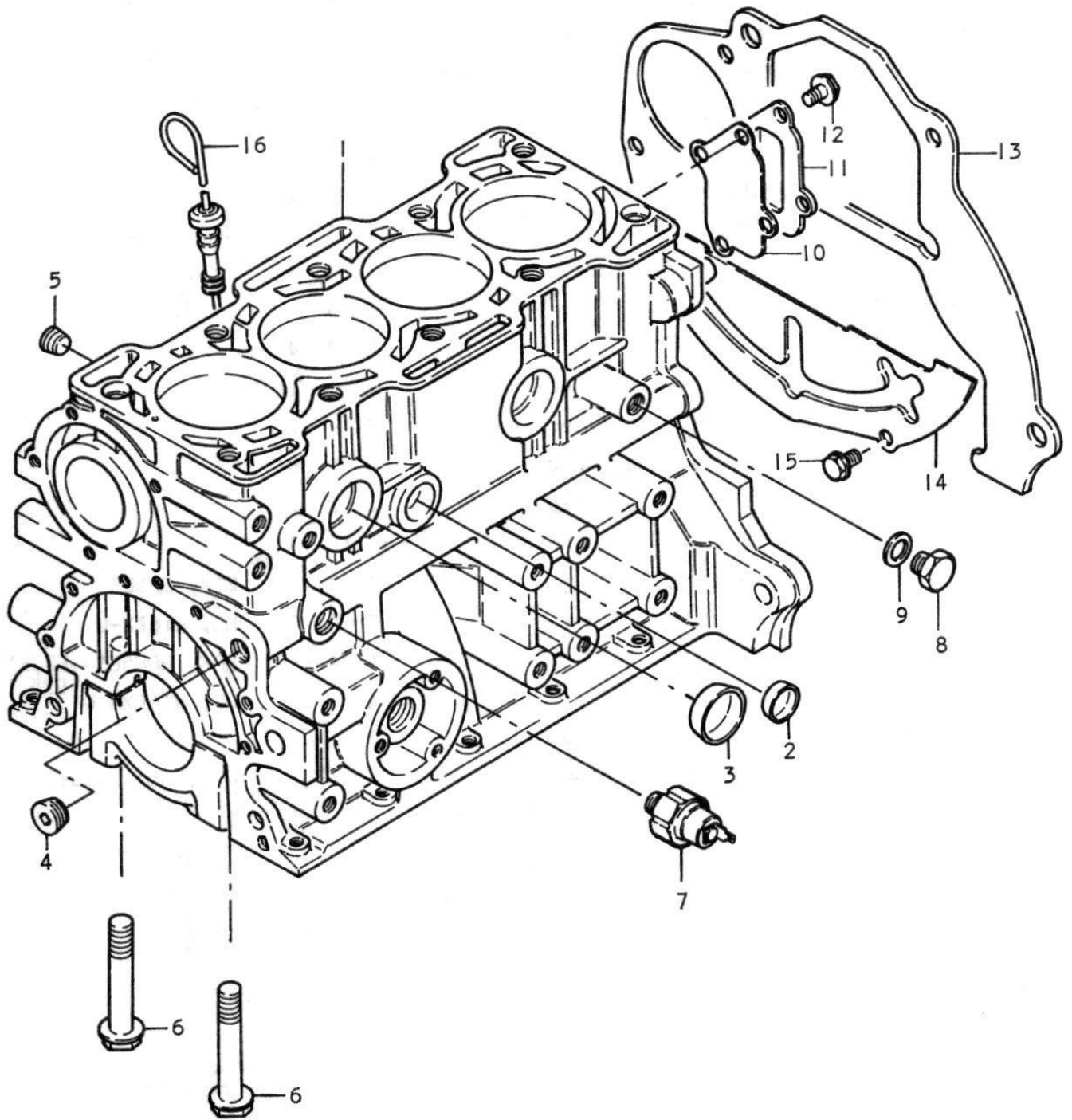


FIG.1 CYLINDER HEAD



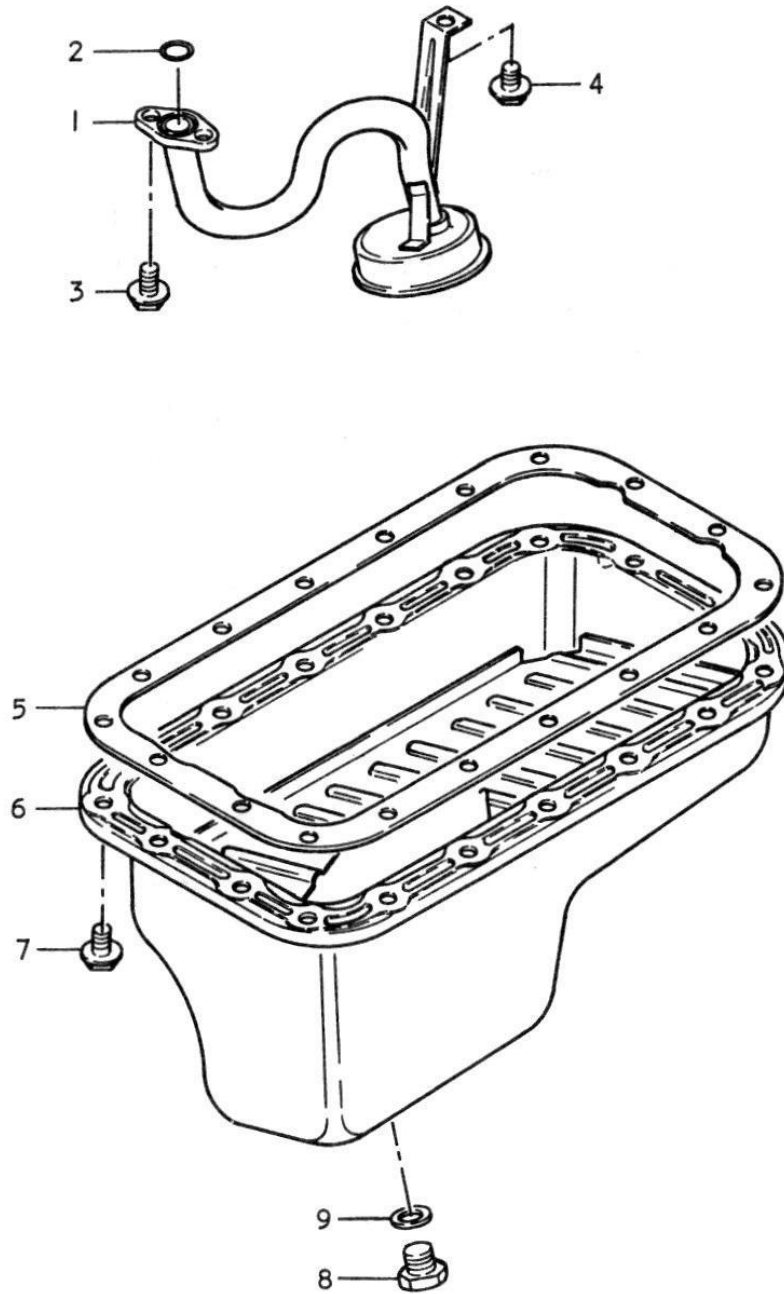
Ref.No.	Part No.	Description	Q'ty			Remarks
			O	V	K	
1	11191-73001	HOSE, breather	1	1	1	L:420
2	09401-18301	CLAMP, breather hose	2	2	2	
3	11174-73000	PIPE, breather	1	1	1	
4	16920-73000	CAP, oil filler	1	1	1	
5	01517-08658	BOLT, grommet	4	4	4	
6	11180-73010	GROMMET, cylinder head cover	4	4	4	
7	11171-73000	COVER, cylinder head	1	1	1	
8	11189-73000	GASKET, cylinder head cover	1	1	1	
9	11173-73000	GASKET, breather plate	1	1	1	
10	11172-73000	PLATE, breather	1	1	1	
11	01517-06108	BOLT, breather plate	8	8	8	
12	11110-73001	CYLINDER HEAD	1	1	1	INCL:13~15
13	11115-73010	.GUIDE, inlet valve	4	4	4	L:52.5
14	11116-73010	.GUIDE, exhaust valve	4	4	4	L:54.5
15	09241-20002	.PLUG	4	4	4	
16	11141-73001	GASKET, cylinder head	1	1	1	
17	09206-13001	KNOCK PIN, cylinder head	2	2	2	
18	09103-10012	BOLT, cylinder head (1)	8	8	8	
19	09103-10013	BOLT, cylinder head (2)	2	2	2	
20	09160-10039	WASHER, cylinder head	10	10	10	
21-1	09482-00131	SPARK PLUG	4	4	4	NGK, BP5ES
21-2	09482-00123	SPARK PLUG	4	4	4	ND, W16EX-U
21-3	09482-00155	SPARK PLUG	4	4	-	NGK, BPR5ES
21-4	09482-00167	SPARK PLUG	4	4	-	ND, W16EXR-U
22	09404-08405	CLAMP, breather hose (2)	1	1	1	E2, E19, E25, E35
23	11400-73811	GASKET SET, engine	1	1	1	OPT, not illustrated

FIG.2 CYLINDER



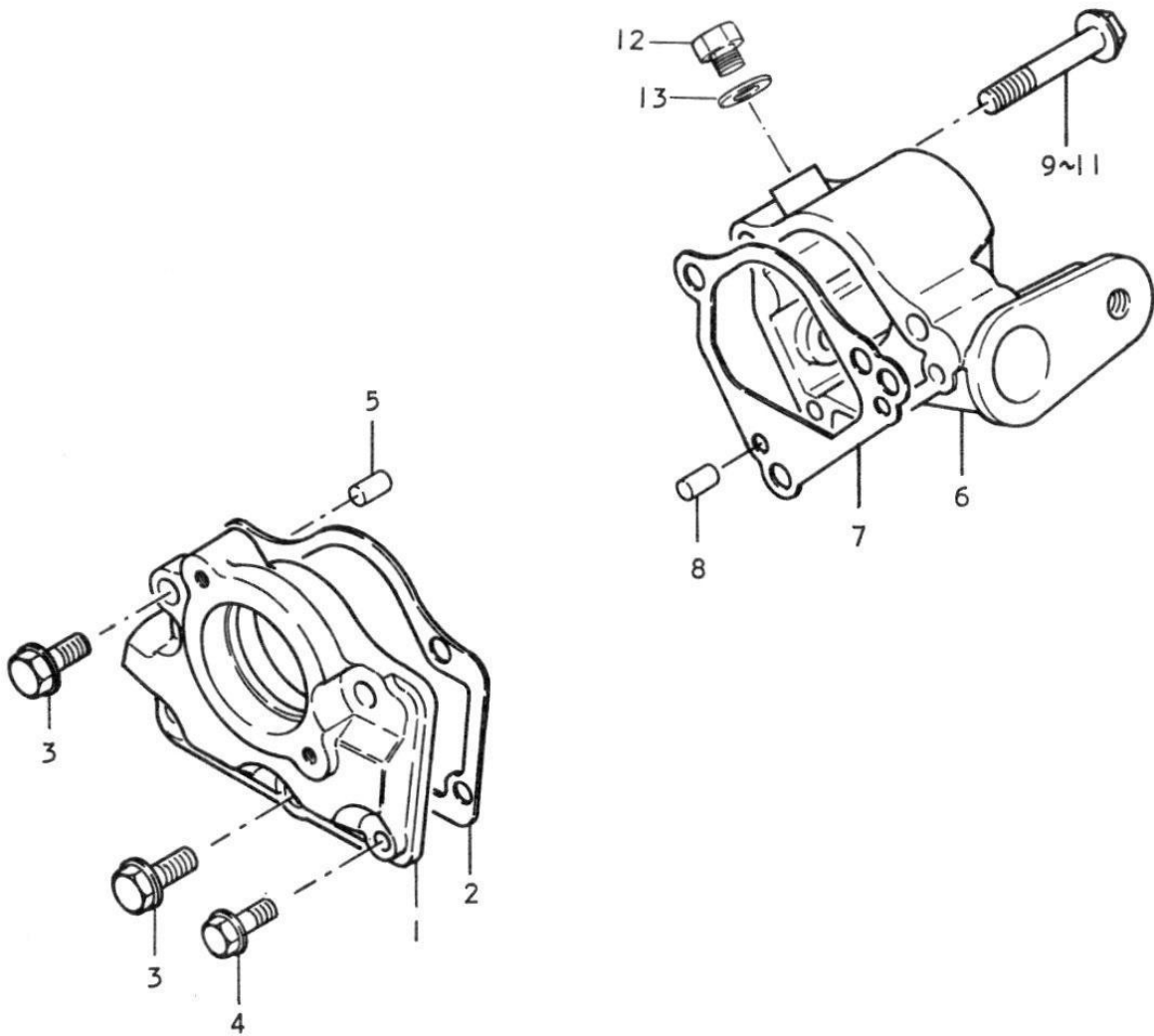
Ref.No.	Part No.	Description	Q'ty			Remarks
			O	V	K	
1	11200-73002	CYLINDER ASSY	1	1	1	INCL:2~7
2	09241-20002	•PLUG (20φ)	2	2	2	
3	09241-30002	•PLUG (30φ)	3	3	3	
4	09246-06001	•PLUG, oil gallery	3	3	3	
5	09246-05001	•PLUG, oil gallery	1	1	1	
6	01517-10658	•BOLT, crank bearing cap	10	10	10	
7	37820-73000	SWITCH, oil pressure	1	1	1	
8	09100-10004	PLUG, water drain	1	1	1	
9	09168-10014	GASKET	1	1	1	
10	11229-73000	GASKET, cylinder block plate	1	1	1	
11	11221-73000	PLATE, cylinder block	1	1	1	
12	01517-06128	BOLT	4	4	4	
13	11311-73001	PLATE, clutch housing upper	1	1	1	
14	11320-73000	PLATE, clutch housing lower	1	1	1	
15	01517-06128	BOLT	2	2	2	
16	16910-73002	GAUGE, oil level	1	1	1	

FIG.3 OIL PAN



Ref.No.	Part No.	Description	Q'ty			Remarks
			O	V	K	
1	16520-73000	STRAINER, oil pump	1	1	1	
2	09280-16005	O RING, oil strainer	1	1	1	
3	01517-06168	BOLT (1)	2	2	2	
4	01517-06128	BOLT (2)	1	1	1	
5	11529-73000	GASKET, oil pan	1	1	1	
6	11510-73000	PAN COMP, oil	1	1	1	
7	01517-06168	BOLT	18	18	18	
8	09247-12101	PLUG, oil drain	1	1	1	
9	09168-12007	GASKET, oil drain plug	1	1	1	

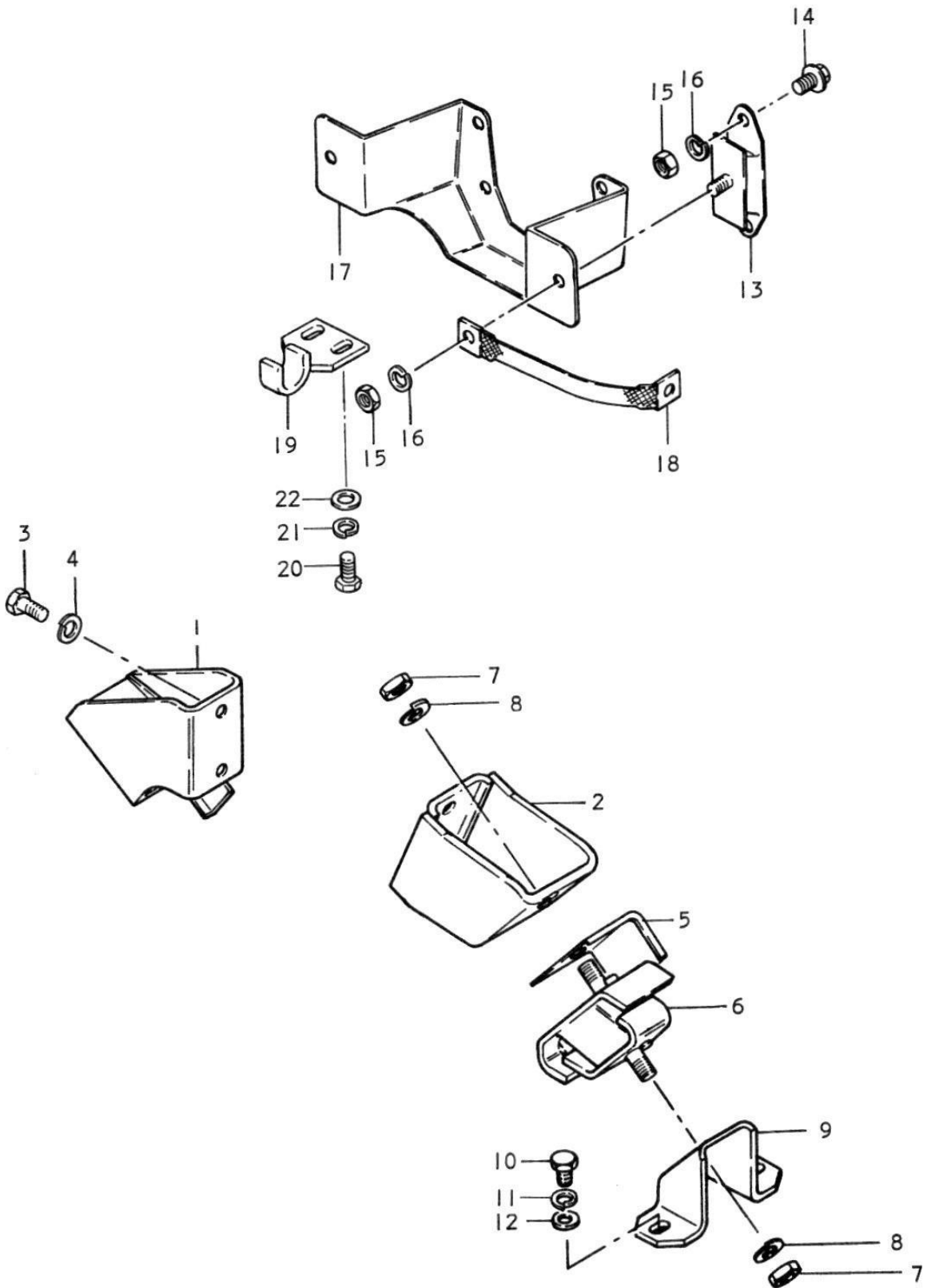
FIG.4 CASE COVER





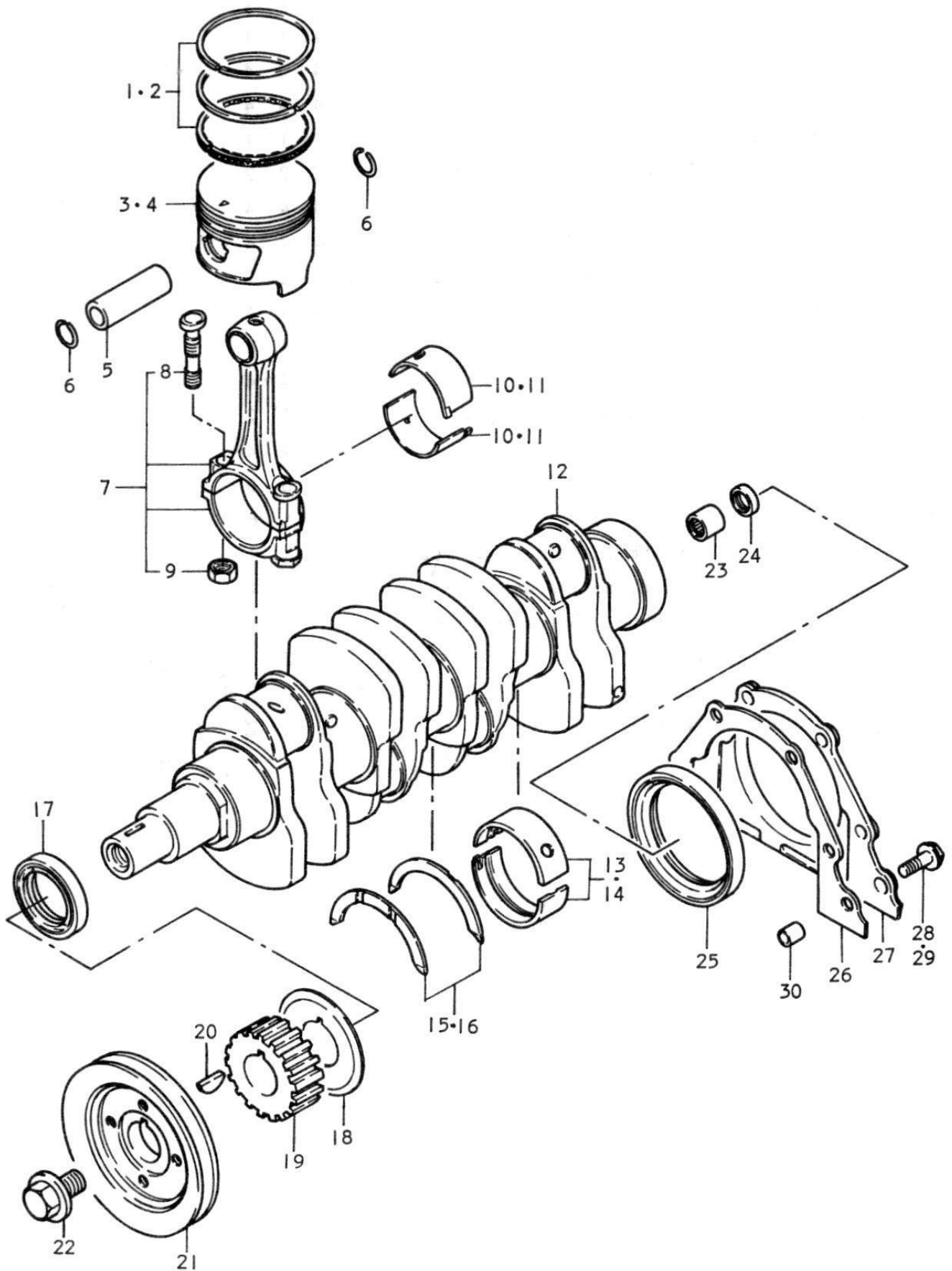
Ref.No.	Part No.	Description	Q'ty			Remarks
			O	V	K	
1	11151-73001	CASE, cylinder head side	1	1	1	
2	11159-73001	GASKET, side case	1	1	1	
3	01517-08208	BOLT (1)	3	3	3	
4	01517-06168	BOLT (2)	2	2	2	
5	04221-06129	KNOCK PIN	2	2	2	
6	11160-73001	CASE, distributor	1	1	1	
7	11169-73001	GASKET, distributor case	1	1	1	
8	04221-06129	KNOCK PIN	2	2	2	
9	01517-08758	BOLT (1)	1	1	1	
10	01517-08408	BOLT (2)	1	1	1	
11	01517-08458	BOLT (3)	1	1	1	
12	09247-10004	PLUG, oil supply	1	1	1	
13	09168-10001	GASKET, plug	1	1	1	

FIG.5 ENGINE MOUNTING



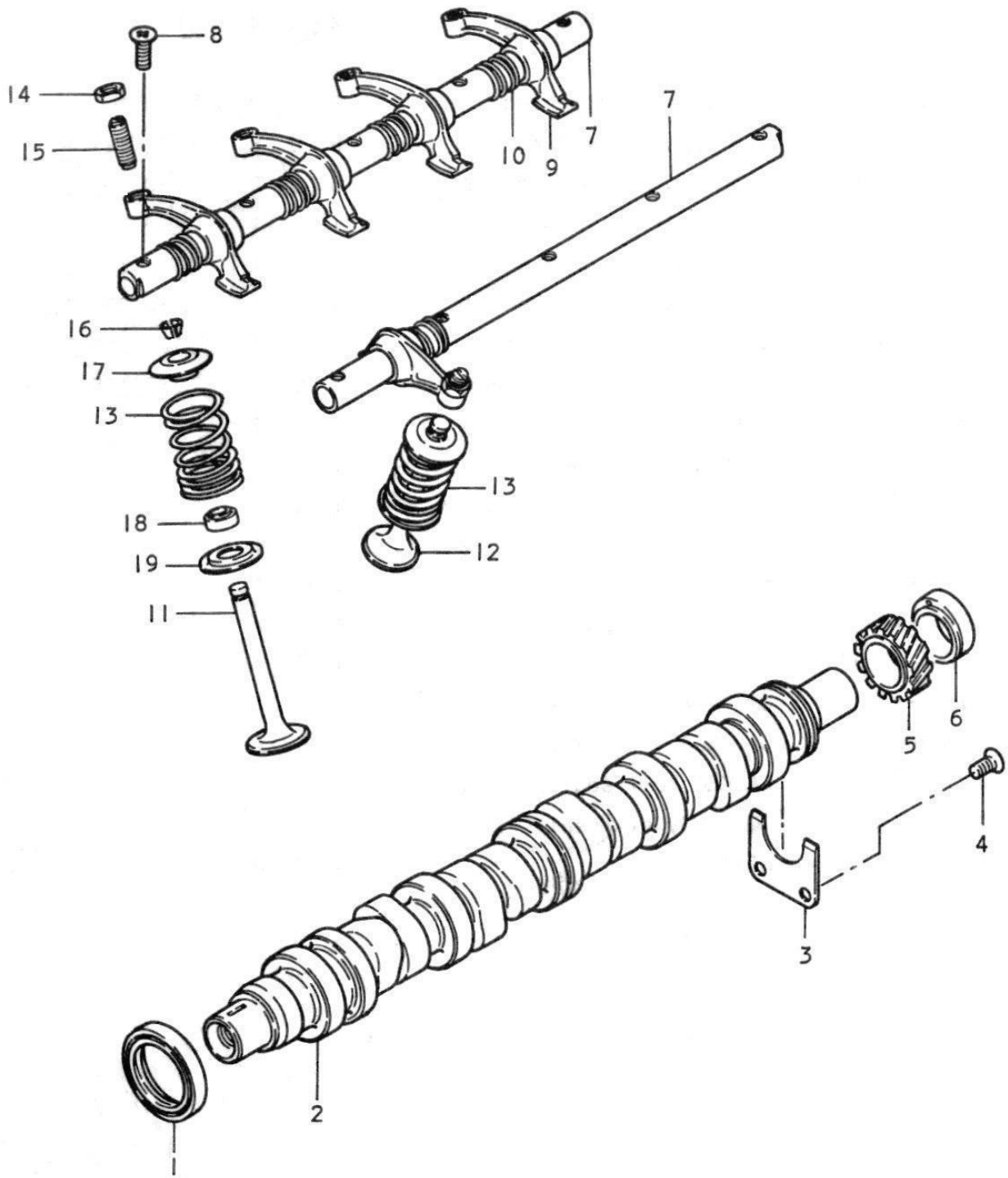
Ref.No.	Part No.	Description	Q'ty			Remarks
			O	V	K	
1	11640-73001	BRACKET, engine front RH	1	1	1	
2	11650-73001	BRACKET, engine front LH	1	1	1	
3	01107-08258	BOLT	4	4	4	
4	08321-21088	LOCK WASHER	4	4	4	
5	11691-73000	COVER, mounting	1	1	1	
6	11610-73001	MOUNTING, engine front	2	2	2	
7	08310-12108	NUT	4	4	4	
8	08321-21108	LOCK WASHER	4	4	4	
9	11661-73001	BRACKET, engine front body side	2	2	2	
10	01107-08258	BOLT	4	4	4	
11	08321-11088	LOCK WASHER	4	4	4	
12	09160-08010	WASHER	4	4	4	
13	11710-63220	MOUNTING, engine rear	2	2	2	
14	01107-08208	BOLT	4	4	4	
15	08310-12088	NUT	6	6	6	
16	08321-21088	LOCK WASHER	6	6	6	
17	11741-73000	BRACKET, engine rear mounting	1	1	1	
18	33860-67650	CABLE, engine ground	1	1	1	
19	11760-73000	STOPPER, engine mounting	1	1	1	
20	01107-08258	BOLT	2	2	2	
21	08321-21088	LOCK WASHER	2	2	2	
22	08322-11088	WASHER	2	2	2	

FIG.6 PISTON - CRANKSHAFT



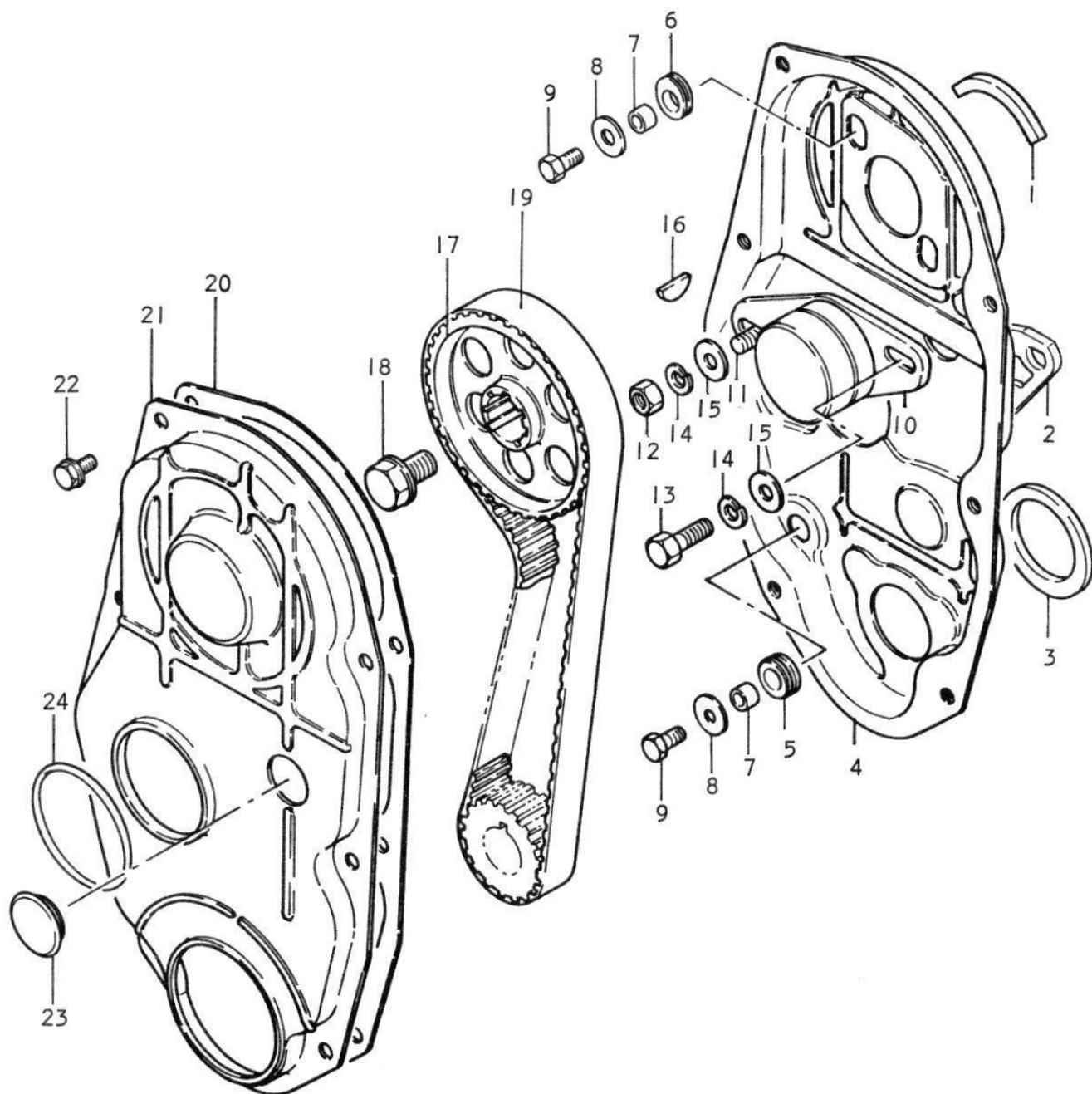
Ref.No.	Part No.	Description	Q'ty			Remarks
			O	V	K	
1	12140-73000	RING SET, piston	4	4	4	STD
2	12140-73000-050	RING SET, piston	4	4	4	OS:0.5
3	12111-73001	PISTON	4	4	4	STD
4	12111-73001-050	PISTON	4	4	4	OS:0.5
5	12151-18000	PIN, piston	4	4	4	
6	09381-16001	CIRCLIP, piston pin	8	8	8	
7	12160-73000	ROD ASSY, connecting	4	4	4	
8	12163-73000	·BOLT, connecting rod	8	8	8	
9	09159-08025	·NUT, connecting rod	8	8	8	
10	12181-73000	BEARING, connecting rod	8	8	8	STD, T:1.5
11	12181-73050	BEARING, connecting rod	8	8	8	US:0.25, T:1.625
12	12221-73000	CRANKSHAFT	1	1	1	
13	12300-73810	BEARING SET, crankshaft	1	1	1	STD, T:2.0
14	12300-73820	BEARING SET, crankshaft	1	1	1	US:0.25, T:2.125
15	12300-73830	BEARING SET, crank thrust	1	1	1	STD, T:2.5
16	12300-73840	BEARING SET, crank thrust	1	1	1	OS:0.125, T:2.563
17	09283-32016	OIL SEAL, crank front	1	1	1	
18	12635-73001	GUIDE, timing belt	1	1	1	
19	12631-73000	PULLEY, crank timing belt	1	1	1	
20	08341-31059	KEY	1	1	1	
21	12611-73001	PULLEY, crank	1	1	1	
22	09103-12002	BOLT, crank pulley	1	1	1	
23	09263-10003	BEARING, input shaft	1	1	1	
24	09282-10001	OIL SEAL, input shaft	1	1	1	
25	09283-60003	OIL SEAL, crank rear	1	1	1	
26	11349-73001	GASKET, oil seal housing	1	1	1	
27	11341-73000	HOUSING, oil seal	1	1	1	
28	01517-06208	BOLT (1)	4	4	4	
29	01517-06258	BOLT (2)	2	2	2	
30	04211-09109	DOWEL PIN	2	2	2	

FIG.7 CAM SHAFT - VALVE



Ref.No.	Part No.	Description	Q'ty			Remarks
			O	V	K	
1	09283-32016	OIL SEAL, cam shaft	1	1	1	
2	12711-73000	CAM SHAFT	1	1	1	
3	12749-73000	PLATE, cam shaft thrust	1	1	1	
4	02122-06128	SCREW	2	2	2	
5	12721-73000	GEAR, distributor drive	1	1	1	
6	12731-73000	CAM, fuel pump	1	1	1	
7	12860-73001	SHAFT, valve rocker	2	2	2	
8	02122-06168	SCREW	10	10	10	
9	12841-73001	ARM, valve rocker	8	8	8	
10	12891-73000	SPRING, rocker arm	8	8	8	
11	12911-73000	VALVE, inlet	4	4	4	OD:31.6
12	12915-73000	VALVE, exhaust	4	4	4	OD:27.6
13	12921-73001	SPRING, valve	8	8	8	
14	09159-07001	NUT, valve adjusting	8	8	8	
15	12848-73000	SCREW, valve adjusting	8	8	8	
16	12900-45820	COTTER SET, valve	8	8	8	
17	12931-73002	RETAINER, valve spring	8	8	8	
18	09289-07002	OIL SEAL	8	8	8	
19	12933-73000	SEAT, valve spring	8	8	8	

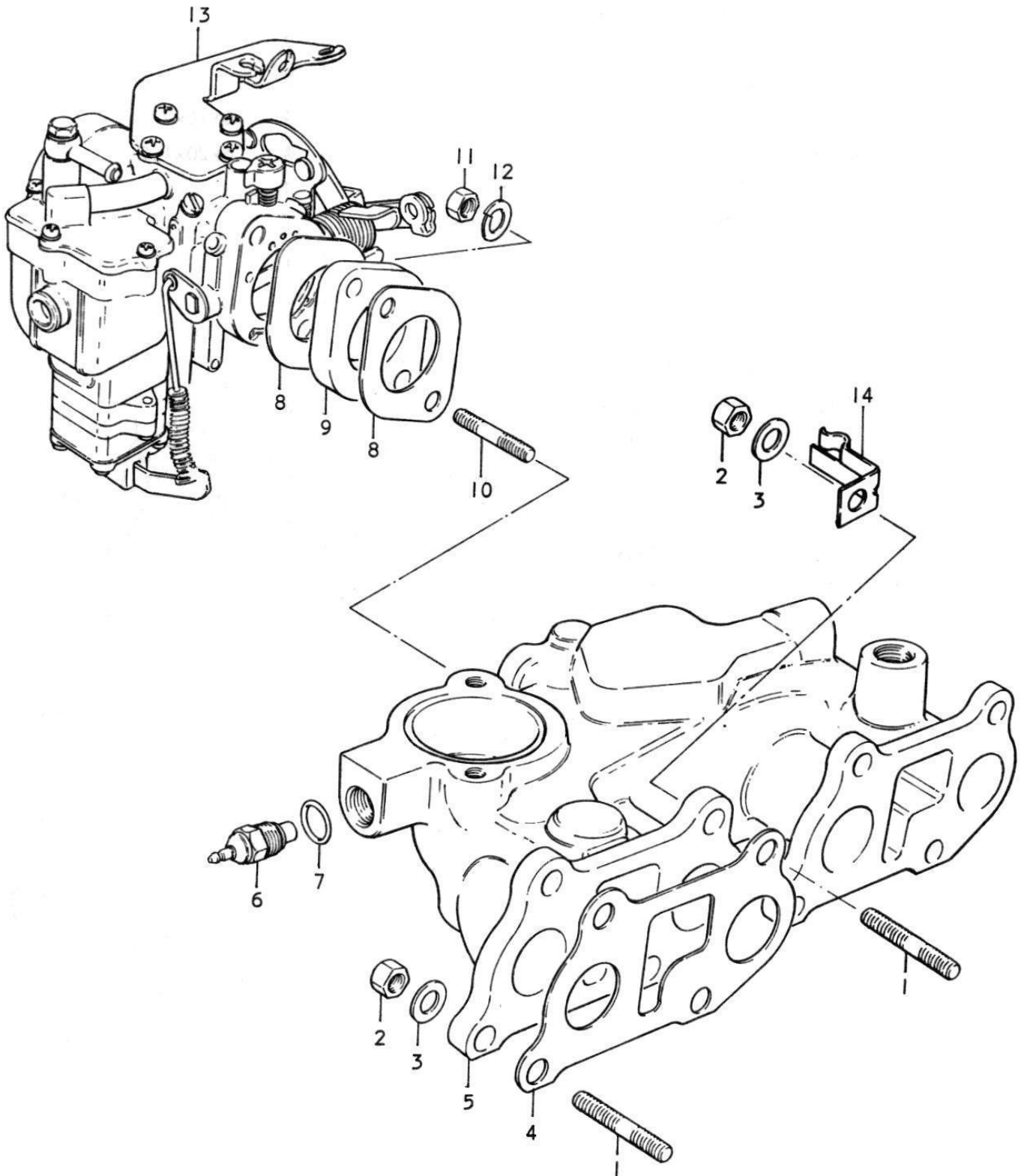
FIG.8 TIMING BELT





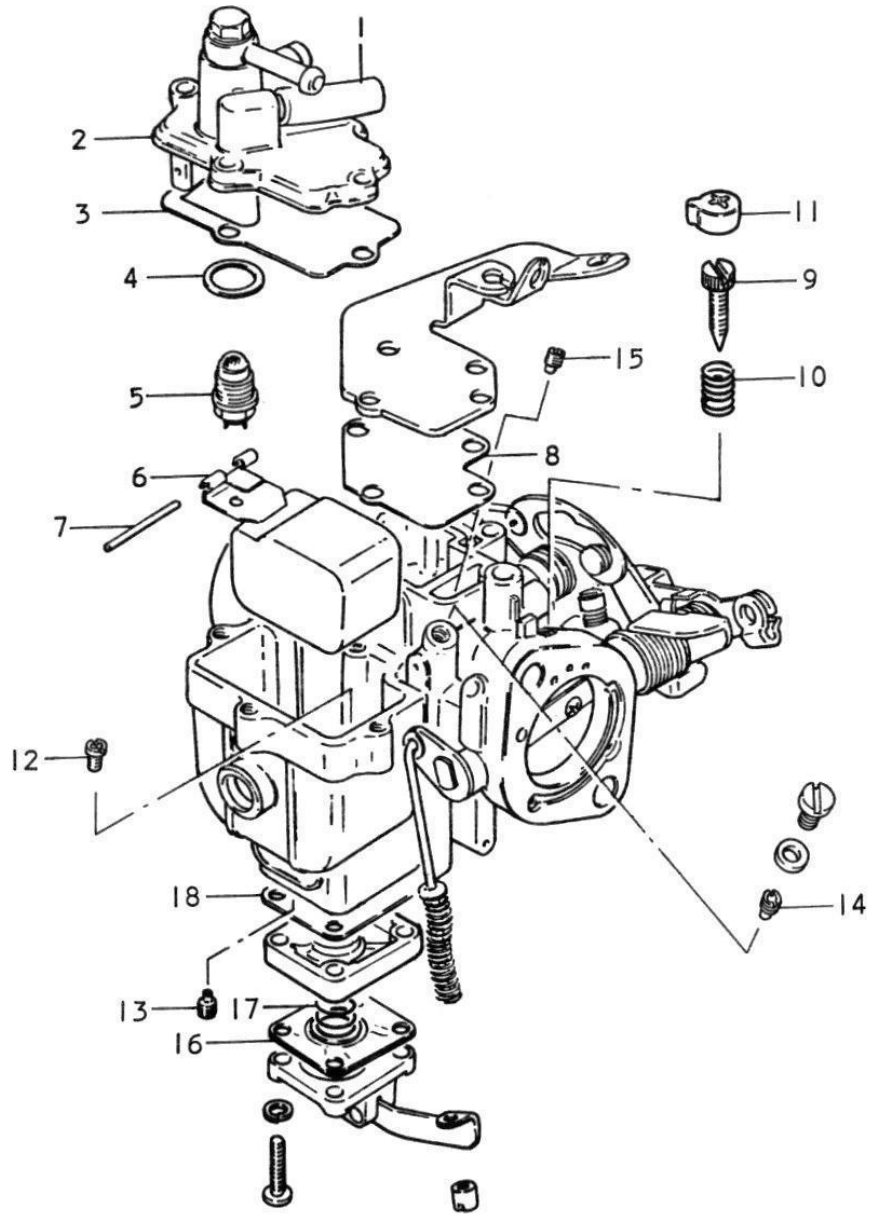
Ref.No.	Part No.	Description	Q'ty			Remarks
			O	V	K	
1	11481-73000	CUSHION, seal (1)	2	2	2	
2	11482-73000	CUSHION, seal (2)	1	1	1	
3	11483-73000	CUSHION, seal (3)	1	1	1	
4	11380-73001	COVER, timing belt inside	1	1	1	
5	09308-10004	GROMMET, timing belt cover (1)	2	2	2	
6	11398-73000	GROMMET, timing belt cover (2)	2	2	2	
7	09180-06002	SPACER	4	4	4	6x10x7
8	09160-06027	WASHER	4	4	4	6x20x1.2
9	01107-06208	BOLT	4	4	4	
10	12810-73000	TENSIONER ASSY, timing belt	1	1	1	
11	01421-08208	STUD BOLT	1	1	1	
12	08310-12088	NUT	1	1	1	
13	01107-08308	BOLT	1	1	1	
14	08321-21088	LOCK WASHER	2	2	2	
15	09160-08033	WASHER, tensioner	2	2	2	
16	08341-31059	KEY, cam shaft pulley	1	1	1	
17	12741-73000	PULLEY, cam shaft timing belt	1	1	1	
18	09103-12002	BOLT	1	1	1	
19	12761-73000	BELT, timing	1	1	1	
20	11399-73001	GASKET, timing belt cover	1	1	1	
21	11391-73000	COVER, timing belt outside	1	1	1	
22	01517-06108	BOLT	6	6	6	
23	09250-26003	CAP	1	1	1	
24	11484-73000	GROMMET, belt cover outside	1	1	1	

FIG.9 CARBURETOR - MANIFOLD



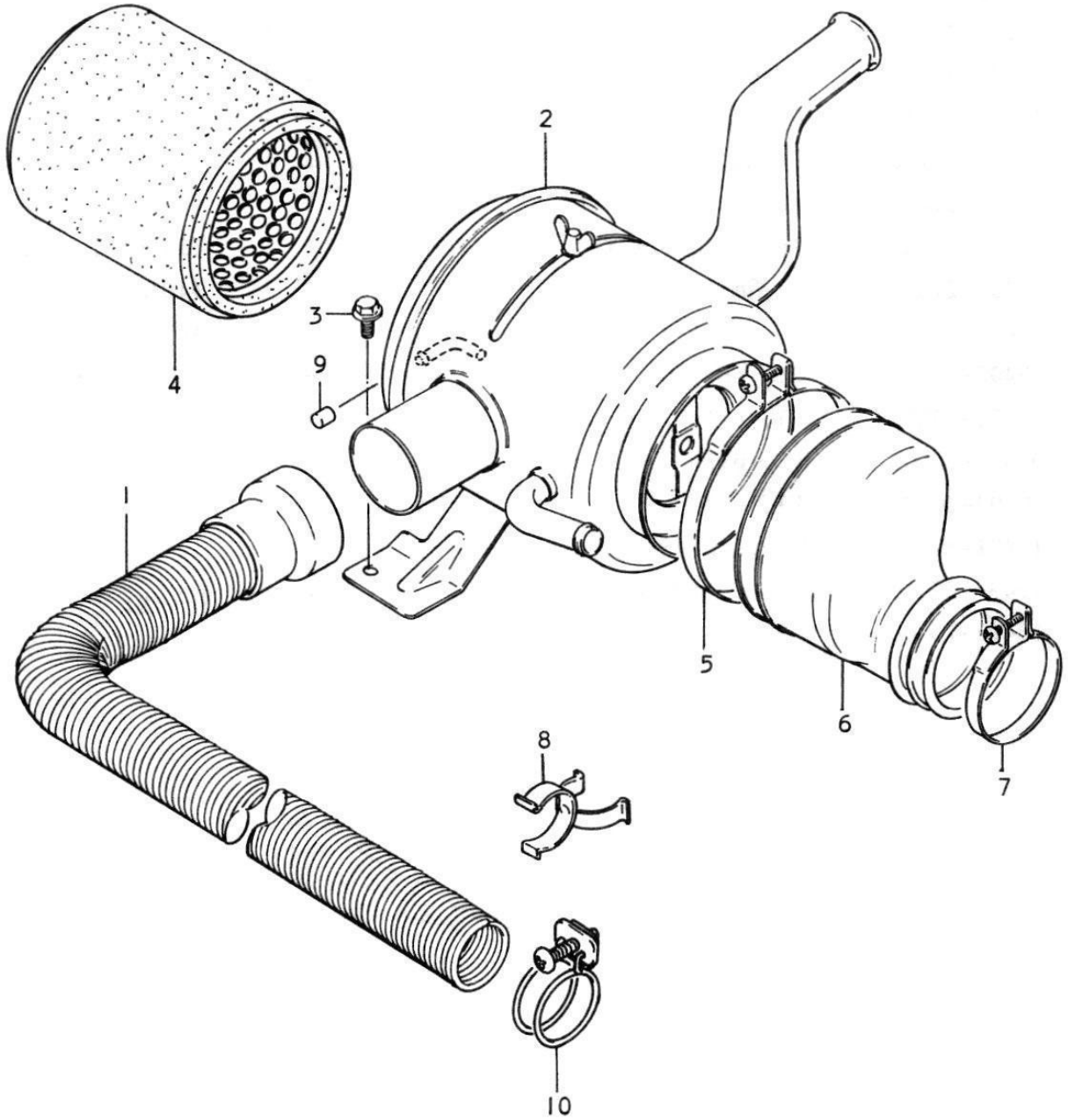
Ref.No.	Part No.	Description	Q'ty			Remarks
			O	V	K	
1	01411-08208	STUD BOLT	8	8	8	
2	08316-16088	NUT	8	8	8	
3	08322-11088	WASHER	8	8	8	
4	13119-73000	GASKET, intake manifold	2	2	2	
5	13110-73001	MANIFOLD, intake	1	1	1	
6	34850-65011	GAUGE, water temperature	1	1	1	
7	09280-14004	O RING	1	1	1	
8	13125-73000	GASKET, carburetor	2	2	2	
9	13120-73000	INSULATOR, carburetor	1	1	1	
10	01421-08358	STUD BOLT	2	2	2	
11	08310-12088	NUT	2	2	2	
12	08321-21088	LOCK WASHER	2	2	2	
13-1	13200-73010	CARBURETOR ASSY	1	1	1	
13-2	13200-73040	CARBURETOR ASSY	1	1	-	E2, E19, E25, E35
13-3	13200-73050	CARBURETOR ASSY	1	-	-	E9
14	16915-73000	SUPPORTER, oil level gauge	1	1	1	

FIG.10 CARBURETOR INNER PARTS



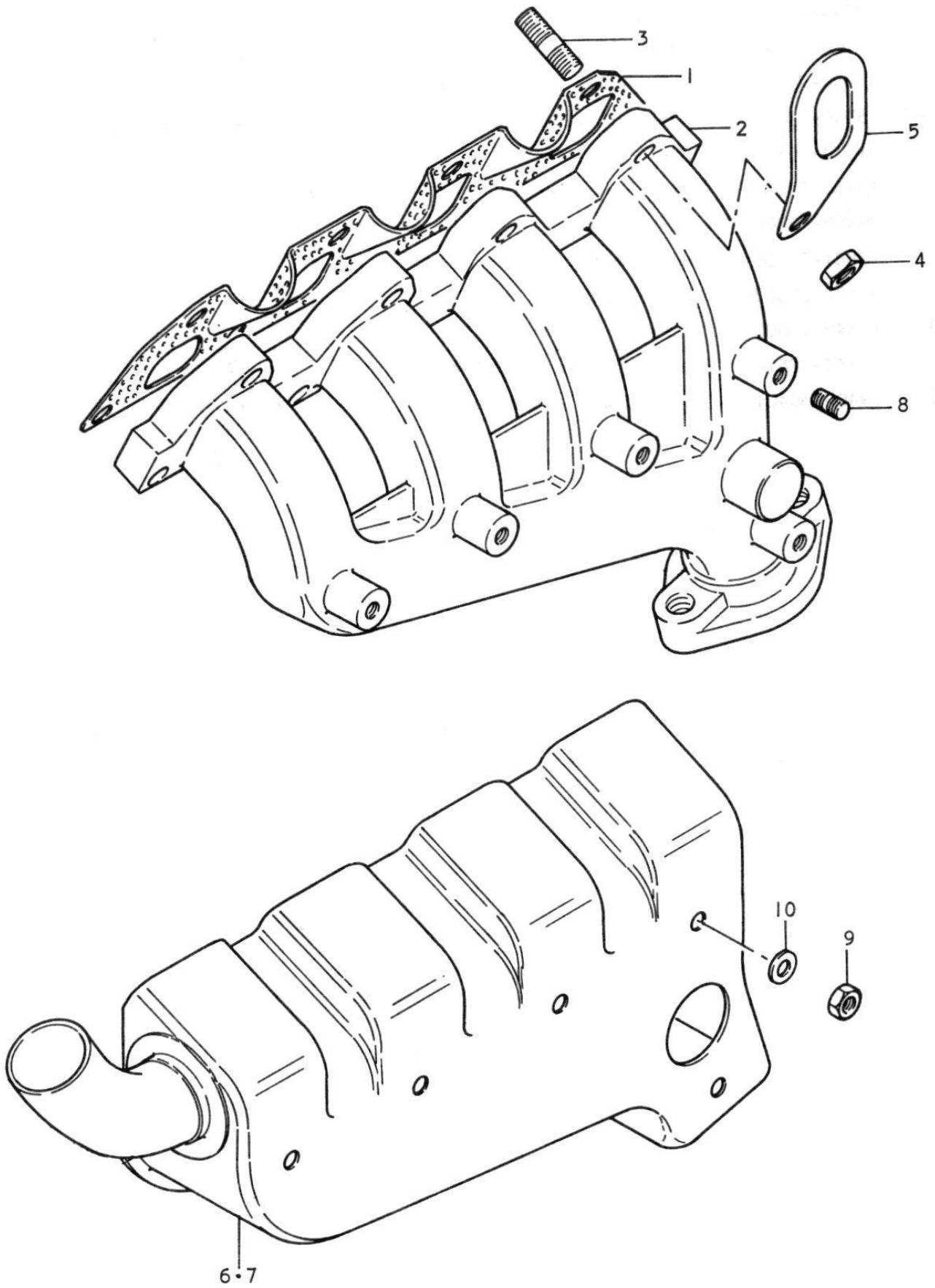
Ref.No.	Part No.	Description	Q'ty			Remarks
			O	V	K	
1	13683-73000	HOSE	1	1	1	
2	13690-73001	COVER ASSY, float chamber	1	1	1	
3	13251-73000	GASKET, float chamber	1	1	1	
4	13392-15010	GASKET, float valve	1	1	1	
5	13370-73000	VALVE ASSY, float	1	1	1	
6	13250-73000	FLOAT	1	1	1	
7	13254-73000	PIN, float	1	1	1	
8	13212-73000	GASKET	1	1	1	
9	13269-61010	SCREW, air adjust	1	1	1	
10	13271-96110	SPRING, air adjust screw	1	1	1	
11-1	13699-61010	CAP, idle limiter	1	1	1	
11-2	13699-77000	CAP, idle limiter	1	1	-	E2, E19, E25, E35
12	09491-21012	JET, main	1	1	1	#105
13-1	09492-65001	JET, enrith	1	1	1	#65
13-2	09492-67001	JET, enrith	1	-	-	#67.5, E9
14	09492-57002	JET, pilot	1	1	1	#57.5
15-1	09493-32003	JET, air	1	1	1	
15-2	09493-30004	JET, air	1	-	-	E9
16	13491-37010	MEMBRANE ASSY	1	1	1	
17	13494-37010	SPRING, membrane	1	1	1	
18	13495-73000	GASKET	1	1	1	

FIG.11 AIR CLEANER



Ref.No.	Part No.	Description	Q'ty			Remarks
			O	V	K	
1	13840-73010	HOSE, warm air	1	1	1	} heater fix
2-1	13700-73013	CASE ASSY, air cleaner	1	1	1	
2-2	13700-73003	CASE ASSY, air cleaner	1	1	-	
2-3	13700-73020	CASE ASSY, air cleaner	1	1	-	E43, heater not used
3	01517-06168	BOLT	2	2	2	
4	13780-73000	FILTER, element	1	1	1	
5	09402-58306	CLAMP (1)	1	1	1	
6	13881-73030	HOSE, air cleaner outlet	1	1	1	
7	09402-00303	CLAMP (2)	1	1	1	
8	13849-73000	CLAMP	1	1	1	
9	13743-72610	CAP, evaporation pipe	1	1	1	
10	09400-36401	CLAMP, war air hose	1	1	1	

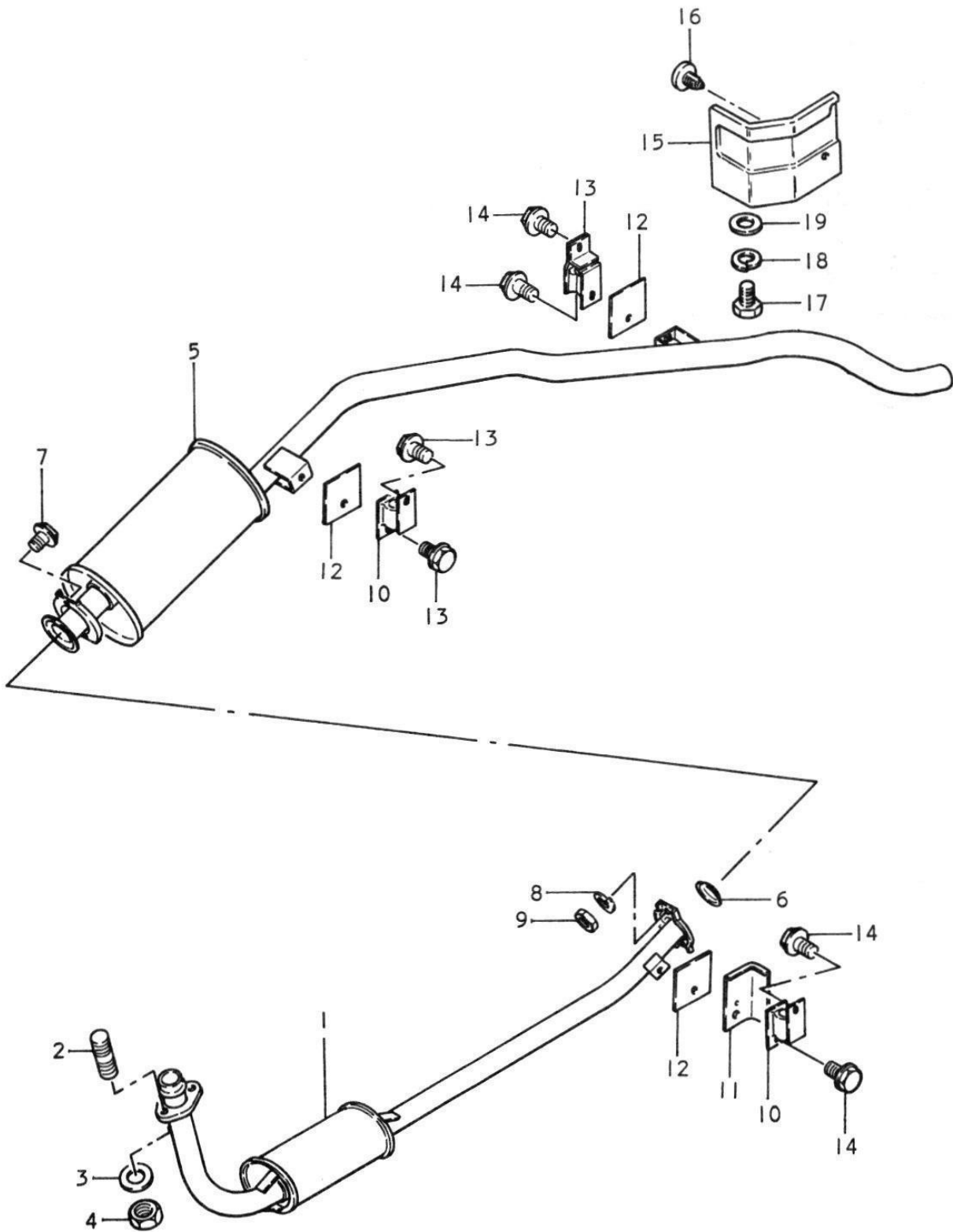
FIG.12 EXHAUST MANIFOLD





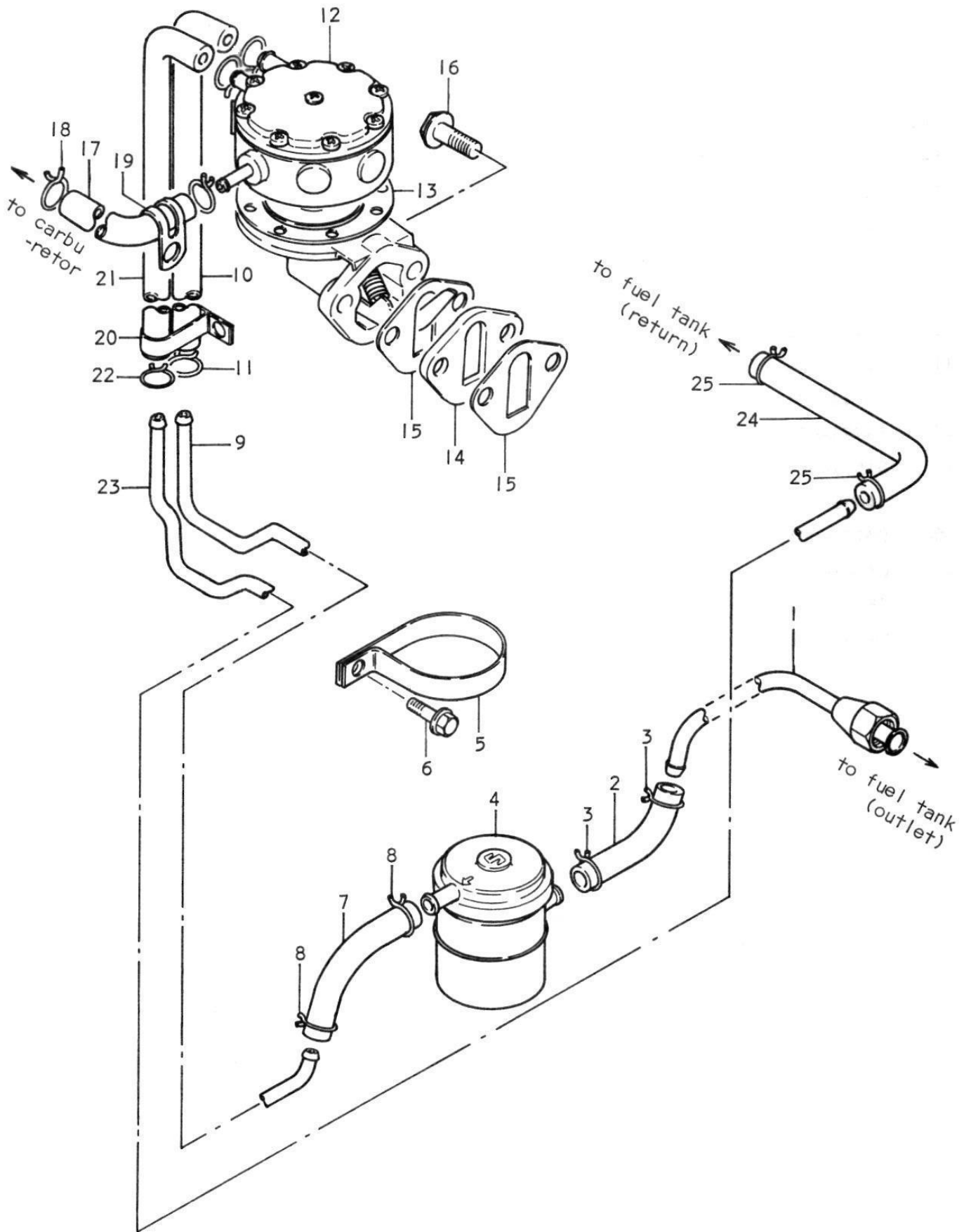
Ref.No.	Part No.	Description	Q'ty			Remarks
			O	V	K	
1	14140-73000	GASKET, exhaust manifold	1	1	1	
2	14111-73002	MANIFOLD, exhaust	1	1	1	
3	01411-08308	STUD BOLT	8	8	8	
4	08310-12088	NUT	8	8	8	
5	11851-73000	HANGER, engine	2	2	2	
6	14130-73002	COVER, exhaust manifold upper	1	1	1	heater fix
7	14131-73012	COVER, exhaust manifold upper	1	1	-	E43, heater not used
8	01411-06128	STUD BOLT	5	5	5	
9	08310-11068	NUT	5	5	5	
10	08322-21068	WASHER	5	5	5	

FIG.13 MUFFLER



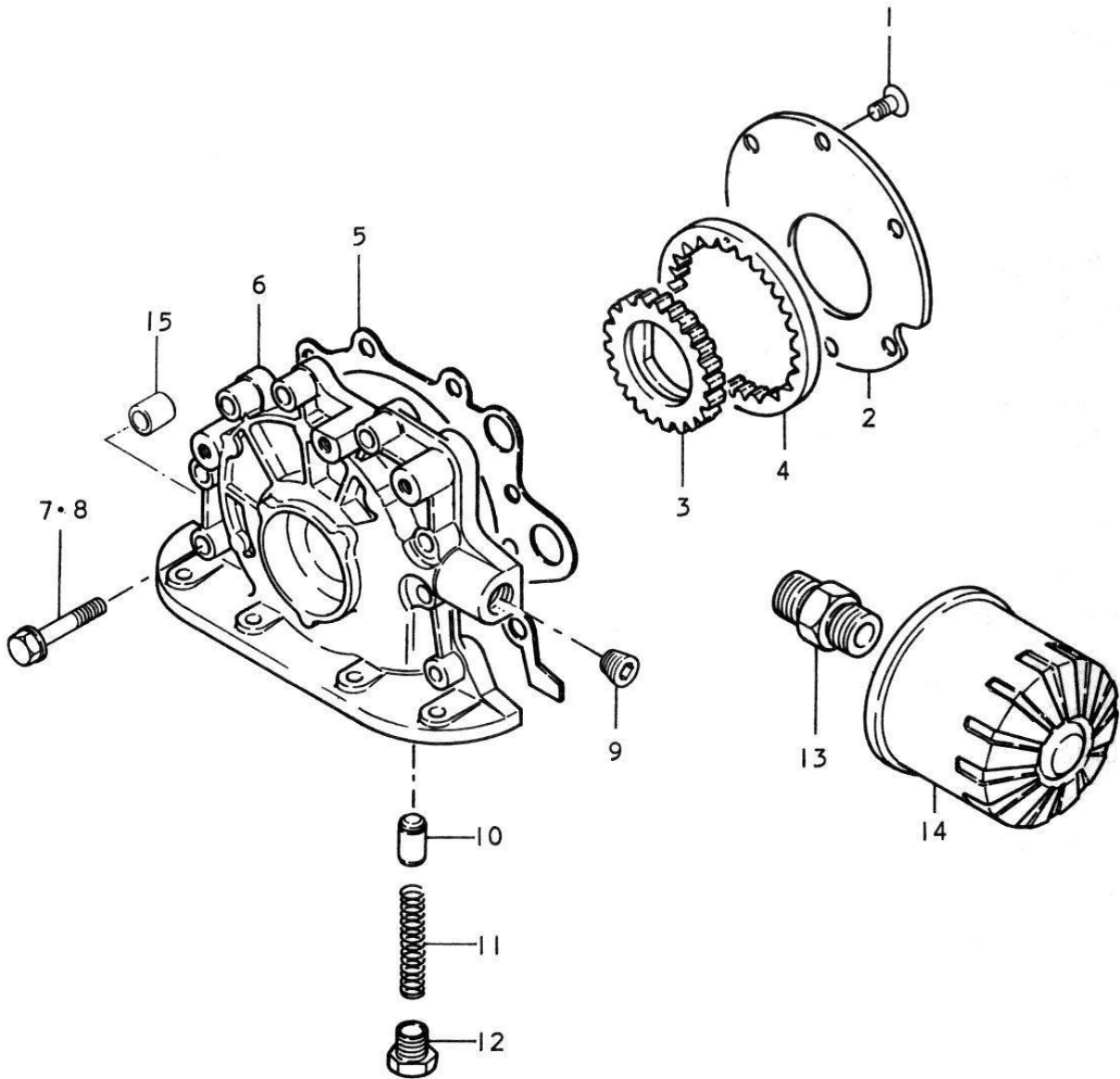
Ref.No.	Part No.	Description	Q'ty			Remarks
			O	V	K	
1	14150-73003	PIPE, exhaust center	1	1	1	
2	01411-10308	STUD BOLT	2	2	2	
3	08322-11108	WASHER	2	2	2	
4	09159-10016	NUT	2	2	2	
5-1	14300-73004	MUFFLER	1	1	-	
5-2	14300-73012	MUFFLER	-	-	1	
6	14699-73000	GASKET, muffler joint	1	1	1	
7	01517-08258	BOLT	2	2	2	
8	08321-21088	LOCK WASHER	2	2	2	
9	09159-08022	NUT	2	2	2	
10	14730-63062	MOUNTING, muffler	2	2	2	
11	11691-73000	COVER, muffler mounting	1	1	1	
12	14749-63400	COVER, mounting	3	3	3	
13	14770-67023	MOUNTING, muffler tail	1	1	1	
14	01517-08168	BOLT	6	6	6	
15	14490-73000	COVER, muffler	1	1	1	} E2, E19, E25
16	03141-06128	SCREW	1	1	1	
17	01107-06168	BOLT	1	1	1	
18	08321-21068	LOCK WASHER	1	1	1	
19	09160-06028	WASHER	1	1	1	

FIG.14 FUEL PUMP



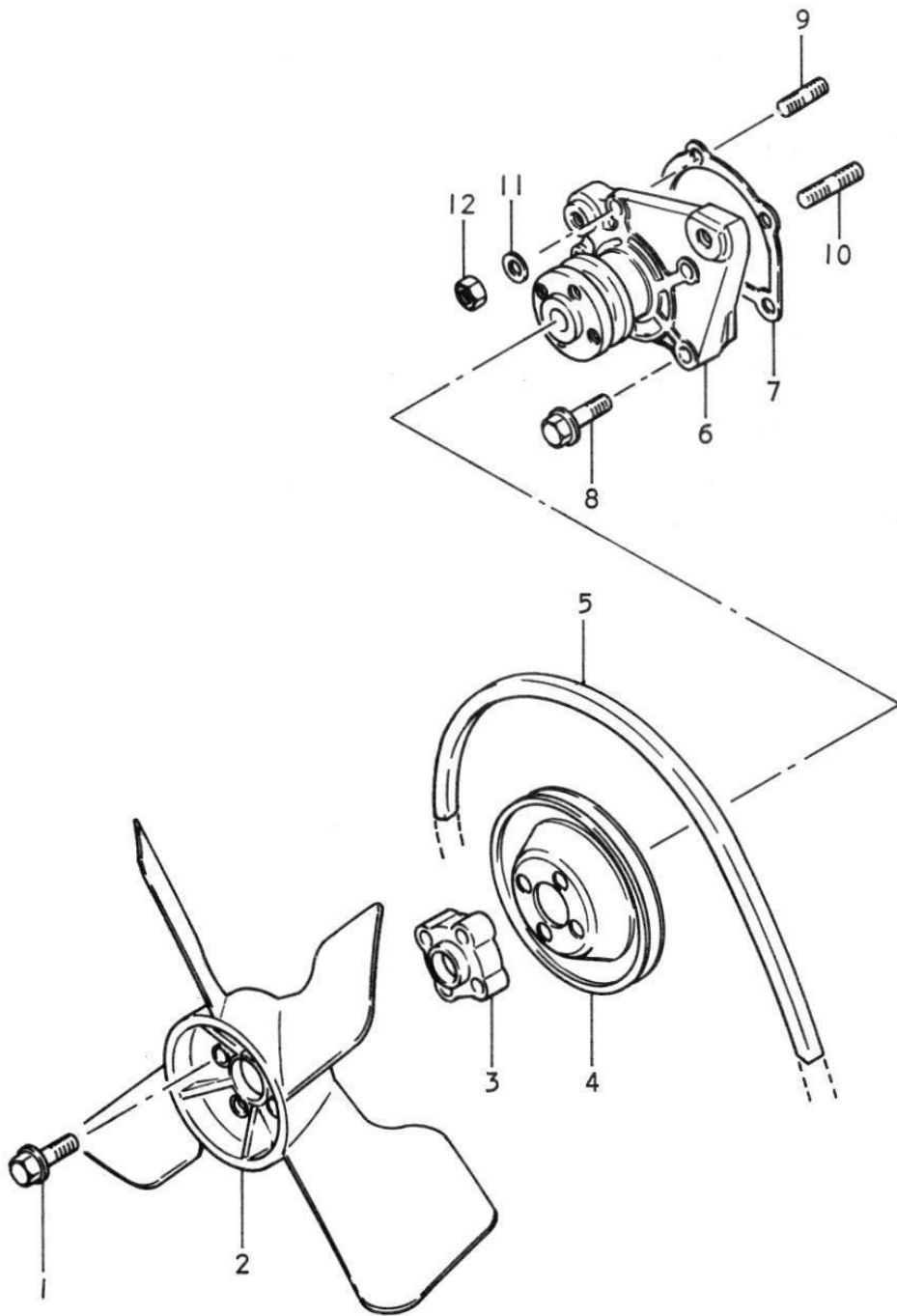
Ref.No.	Part No.	Description	Q'ty			Remarks
			O	V	K	
1-1	15810-63401	PIPE, fuel (tank to filter)	1	1	-	
1-2	15810-73030	PIPE, fuel (tank to filter)	1	1	-	E2, E19, E25
1-3	15810-63501	PIPE, fuel (tank to filter)	-	-	1	
2	09343-07053	HOSE, fuel (1)	1	1	1	L:655 → 80
3	09401-12301	CLIP	2	2	2	
4	15410-63400	FILTER, fuel	1	1	1	
5	09403-51405	CLAMP, fuel filter	1	1	1	
6	01517-06128	BOLT	1	1	1	
7	09343-07053	HOSE, fuel (3)	1	1	1	L:655 → 110
8	09401-12301	CLIP	2	2	2	
9-1	15821-63401	PIPE, fuel (filter to pump)	1	1	1	
9-2	15821-73030	PIPE, fuel (filter to pump)	1	1	-	E2, E19, E25
10	09343-07053	HOSE, fuel (3)	1	1	1	L:655 → 480
11	09401-12301	CLIP	2	2	2	
12	15100-73001	PUMP ASSY, fuel	1	1	1	
13	15100-76810	DIAPHRAGM SET	1	1	1	
14	15318-73000	INSULATOR, fuel pump	1	1	1	
15	15319-73000	GASKET, fuel pump	2	2	2	
16	01517-08308	BOLT	2	2	2	
17	09343-05044	HOSE, fuel (4)	1	1	1	L:1425 → 320
18	09401-11402	CLIP	2	2	2	
19	09404-08404	CLAMP (2)	1	1	1	
20	15891-73000	CLAMP (1)	1	1	1	
21	09343-05044	HOSE, fuel return (1)	1	1	1	L:1425 → 480
22	09401-11402	CLIP	2	2	2	
23-1	15861-73000	PIPE, fuel return	1	1	-	
23-2	15861-73030	PIPE, fuel return	1	1	-	E2, E19, E25
23-3	15861-73010	PIPE, fuel return	-	-	1	
24-1	09343-05044	HOSE, fuel return (2)	1	1	-	L:1425 → 160
24-2	09343-05044	HOSE, fuel return (2)	-	-	1	L:1425 → 130
25	09401-11402	CLIP	2	2	2	

FIG.15 OIL PUMP



Ref.No.	Part No.	Description	Q'ty			Remarks
			O	V	K	
1	02122-06128	SCREW	6	6	6	
2	16161-73001	PLATE, oil pump gear	1	1	1	
3	16131-73000	GEAR, oil pump inner	1	1	1	
4	16132-73000	GEAR, oil pump outer	1	1	1	
5	16119-73000	GASKET, oil pump case	1	1	1	
6	16111-73001	CASE, oil pump	1	1	1	
7	01517-06358	BOLT (1)	6	6	6	
8	01517-06408	BOLT (2)	2	2	2	
9	09246-06001	PLUG, oil gallery	1	1	1	
10	16151-73000	VALVE, oil pump relief	1	1	1	
11	16152-73001	SPRING, oil relief valve	1	1	1	
12	16153-73000	RETAINER, relief valve spring	1	1	1	
13	11241-73000	STAND, oil filter	1	1	1	
14	16510-73000	FILTER, oil	1	1	1	
15	04211-09109	KNOCK PIN	2	2	2	

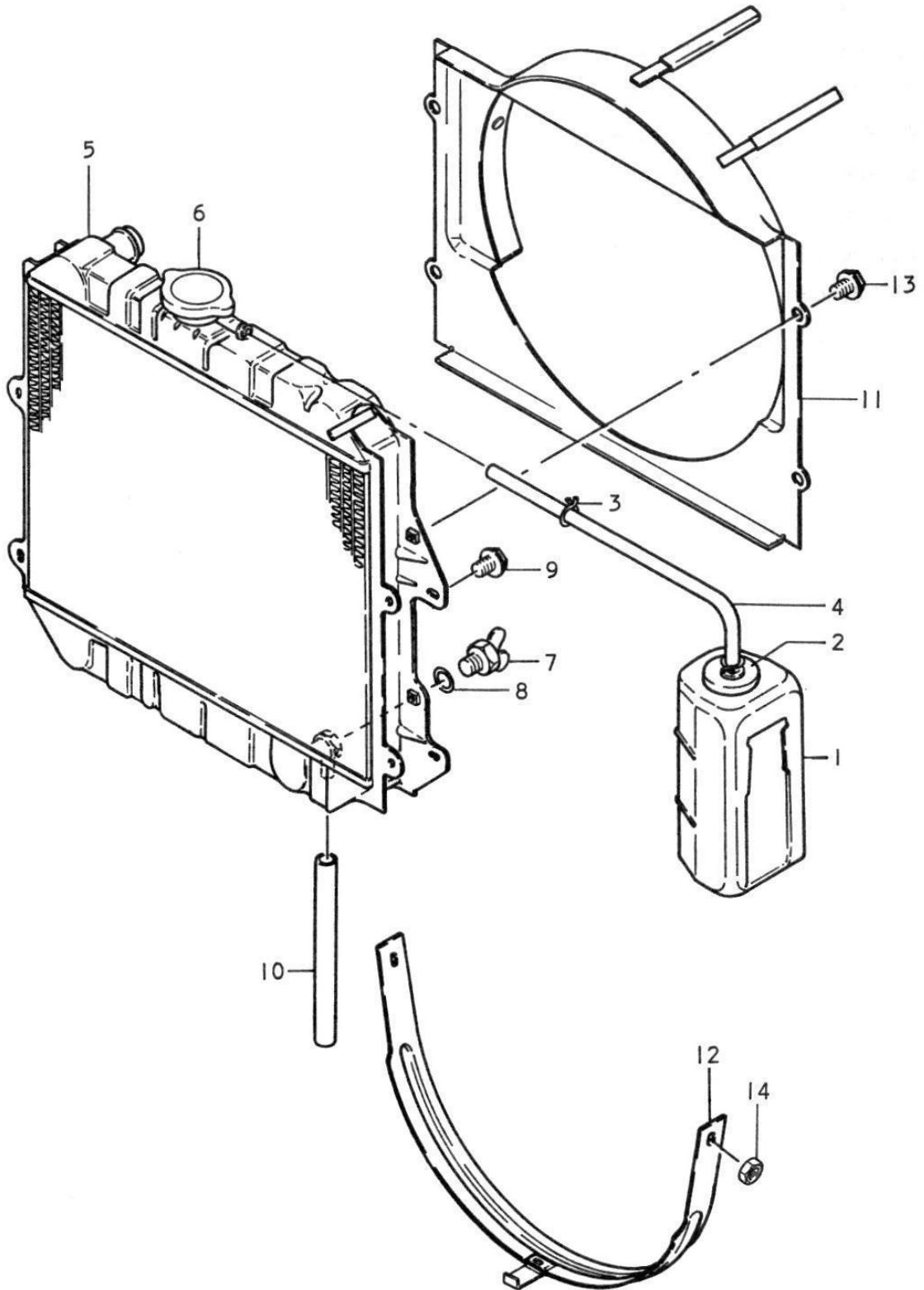
FIG.16 WATER PUMP





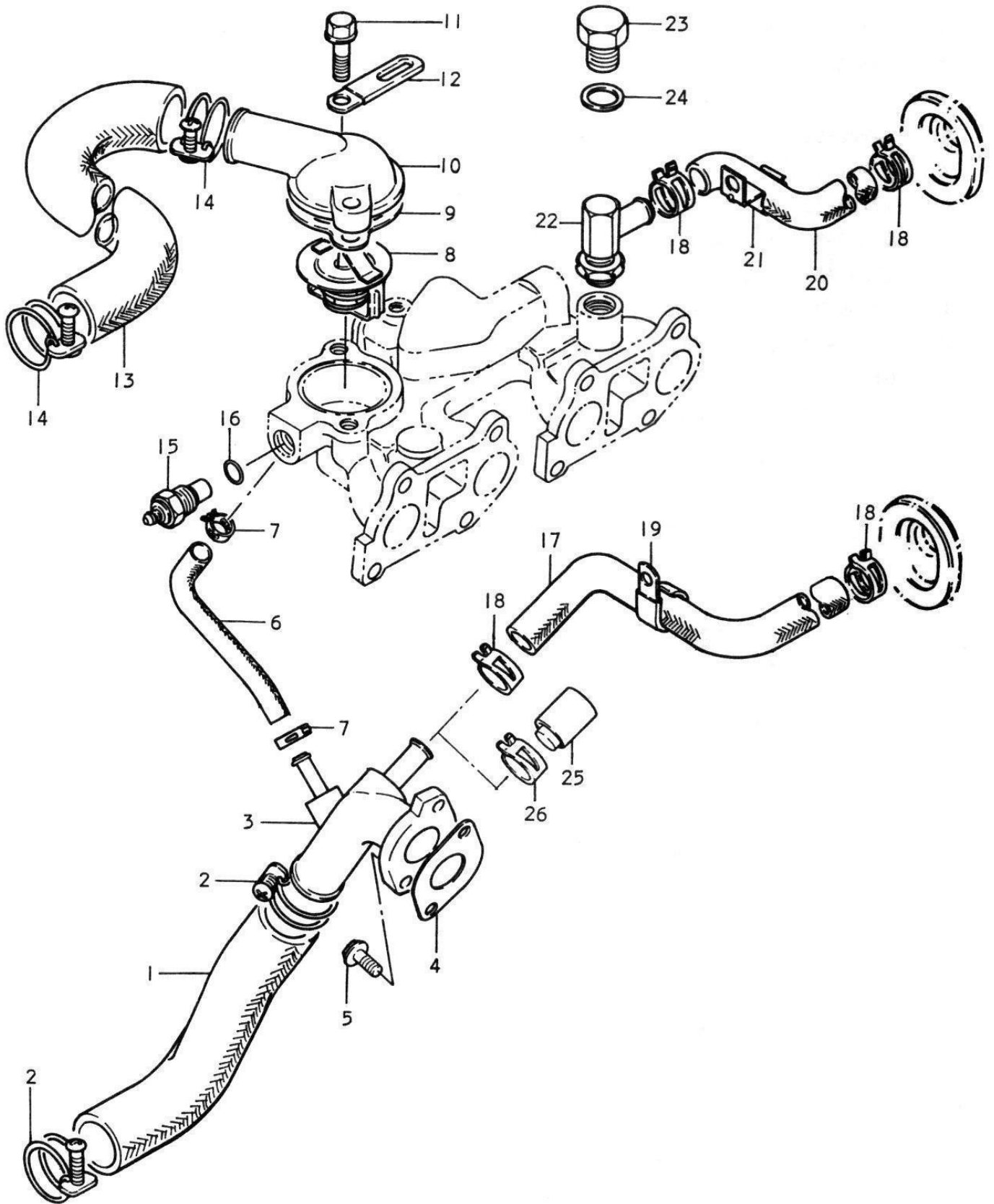
Ref.No.	Part No.	Description	Q'ty			Remarks
			O	V	K	
1	01517-06308	BOLT	4	4	4	
2	17111-73000	FAN, engine cooling	1	1	1	
3	17131-73001	HUB, engine cooling fan	1	1	1	
4	17511-73001	PULLEY, water pump	1	1	1	
5	17521-63221	BELT, water pump	1	1	1	
6	17400-73012	PUMP ASSY, water	1	1	1	
7	17431-73000	GASKET, water pump	1	1	1	
8	01517-06308	BOLT	3	3	3	
9	01411-06308	STUD BOLT	1	1	1	
10	09108-06013	STUD BOLT	1	1	1	
11	08322-21068	WASHER	2	2	2	
12	08310-22068	NUT	2	2	2	

FIG.17 RADIATOR



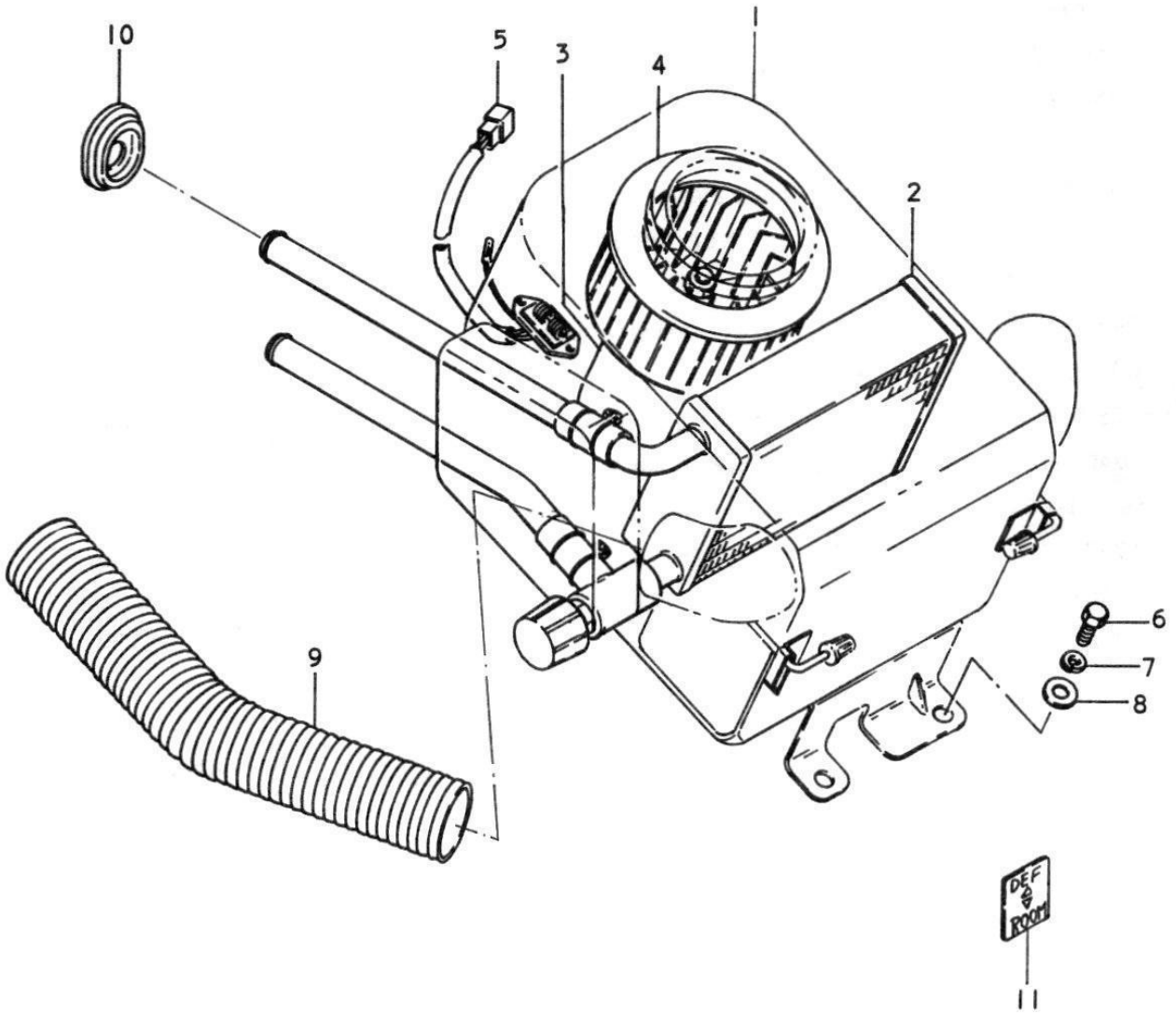
Ref.No.	Part No.	Description	Q'ty			Remarks
			O	V	K	
1	17931-72000	TANK, eater reserve	1	1	1	
2	17932-72000	CAP	1	1	1	
3	09401-11404	CLAMP	1	1	1	
4	09343-07011	HOSE	1	1	1	L:1130 → 570
5	17700-73000	RADIATOR ASSY	1	1	1	
6	17920-63210	·CAP	1	1	1	
7	17751-72010	·DRAIN PLUG	1	1	1	
8	17759-72010	·O RING	1	1	1	
9	01517-06108	BOLT	4	4	4	
10	09344-07012	HOSE, radiator drain	1	1	1	
11	17760-73001	SHROUD, fan upper	1	1	1	
12	17770-73002	SHROUD, fan lower	1	1	1	
13	01517-06108	BOLT	4	4	4	
14	08310-11068	NUT	2	2	2	

FIG.18 WATER HOSE



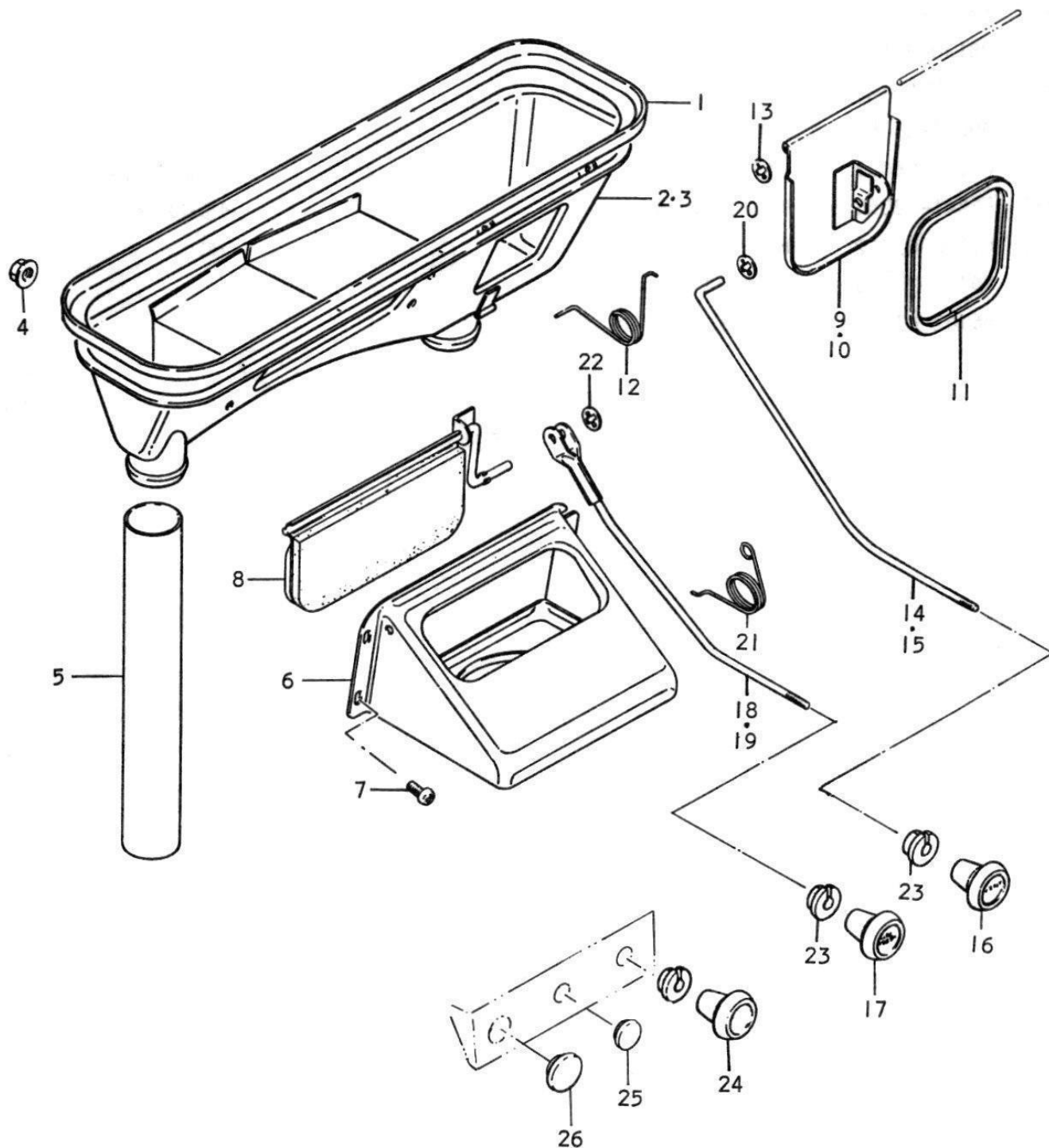
Ref.No.	Part No.	Description	Q'ty			Remarks
			O	V	K	
1	17851-73001	HOSE, radiator outlet	1	1	1	
2	09400-36401	CLAMP	2	2	2	
3	17550-73000	PIPE, water inlet	1	1	1	
4	17559-73000	GASKET, water inlet pipe	1	1	1	
5	01517-06168	BOLT	2	2	2	
6	17859-73000	HOSE, water by-pass	1	1	1	
7	09401-11404	CLIP	2	2	2	
8	17670-73000	THERMOSTAT, water	1	1	1	
9	17569-73000	GASKET, thermostat cap	1	1	1	
10	17561-73000	CAP, water thermostat	1	1	1	
11	01517-08308	BOLT	2	2	2	
12	09404-08402	CLAMP, fuel hose (3)	1	1	1	
13	17841-73000	HOSE, radiator inlet	1	1	1	
14	09400-36401	CLAMP	2	2	2	
15	34850-65011	GAUGE, water temperature	1	1	1	
16	09280-14004	O RING	1	1	1	
17	17872-63320	HOSE, heater outlet	1	1	1	L:975 → 570
18	09401-18401	CLAMP, heater hose	4	4	4	
19	09404-08404	CLAMP, heater hose outlet	1	1	1	L:975 → 460 heater fix
20	17872-63320	HOSE, heater inlet	1	1	1	
21	09403-20304	CLAMP, heater hose inlet	1	1	1	
22	17860-69010	JOINT, heater hose	1	1	1	heater not used
23	09100-16001	PLUG, blind	1	1	1	
24	09168-16002	GASKET	1	1	1	
25	17467-63200	BLIND, water inlet pipe	1	1	1	
26	09401-18401	CLAMP	1	1	1	

FIG.19 CAR HEATER



Ref.No.	Part No.	Description	Q'ty			Remarks
			O	V	K	
1	88100-73000	HEATER ASSY	1	1	1	
2	88110-73000	•HEATER UNIT	1	1	1	
3	88120-70410	•MOTOR ASSY	1	1	1	
4	88130-70410	•BLOWER	1	1	1	
5	88140-73000	•RESISTOR	1	1	1	
6	01107-06128	BOLT	2	2	2	
7	08321-21068	LOCK WASHER	2	2	2	
8	09160-06007	WASHER	2	2	2	6.5x18x1.6
9-1	88641-63053	HOSE, defroster	2	2	2	RHD:RH & LH, LHD:RH
9-2	88640-63612	HOSE, defroster	1	1	1	LHD:LH
10	66471-73000	GROMMET, heater hose	2	2	2	
11	86962-63000	EMBLEM, heater control	1	1	1	

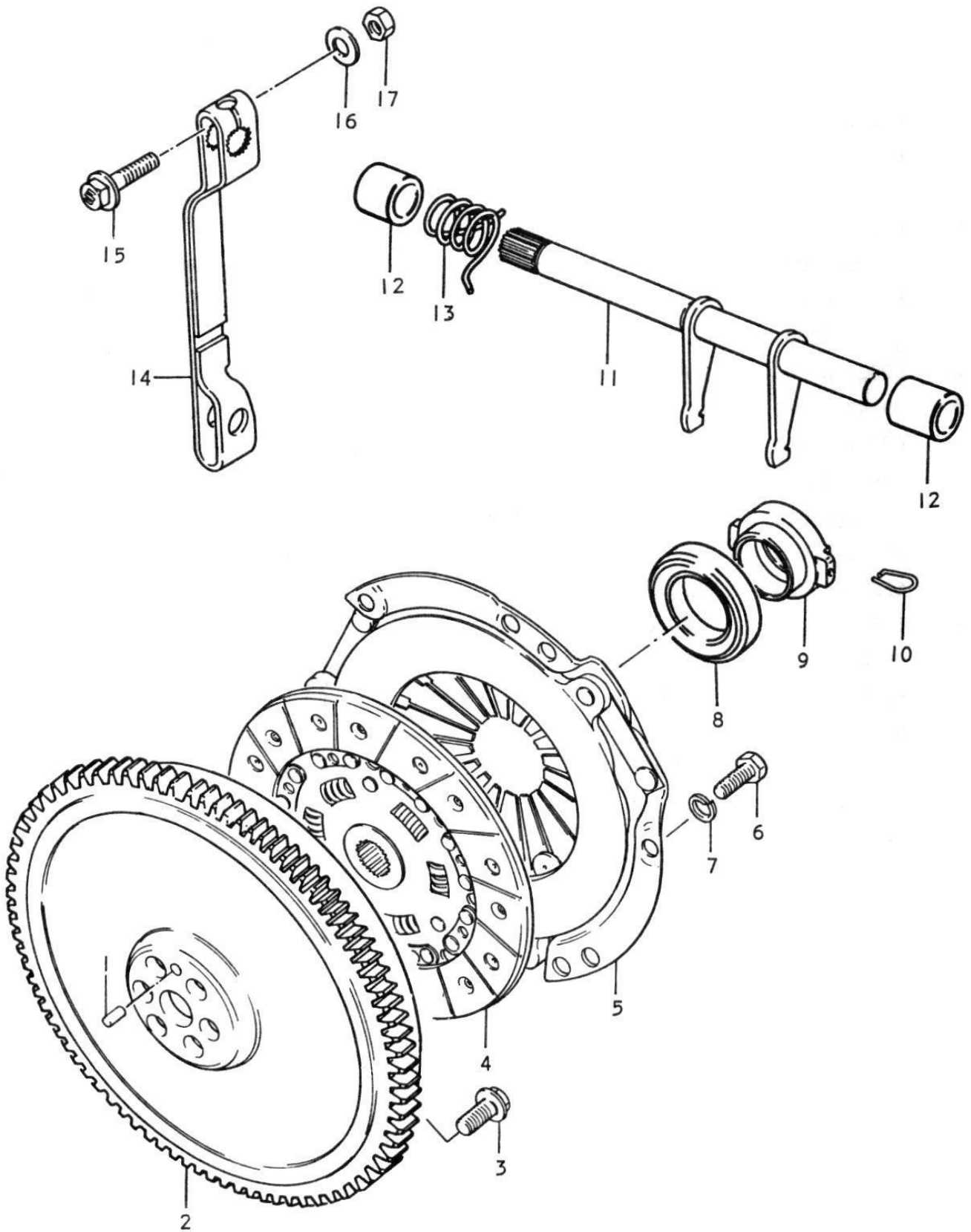
FIG.20 COWL VENTILATOR





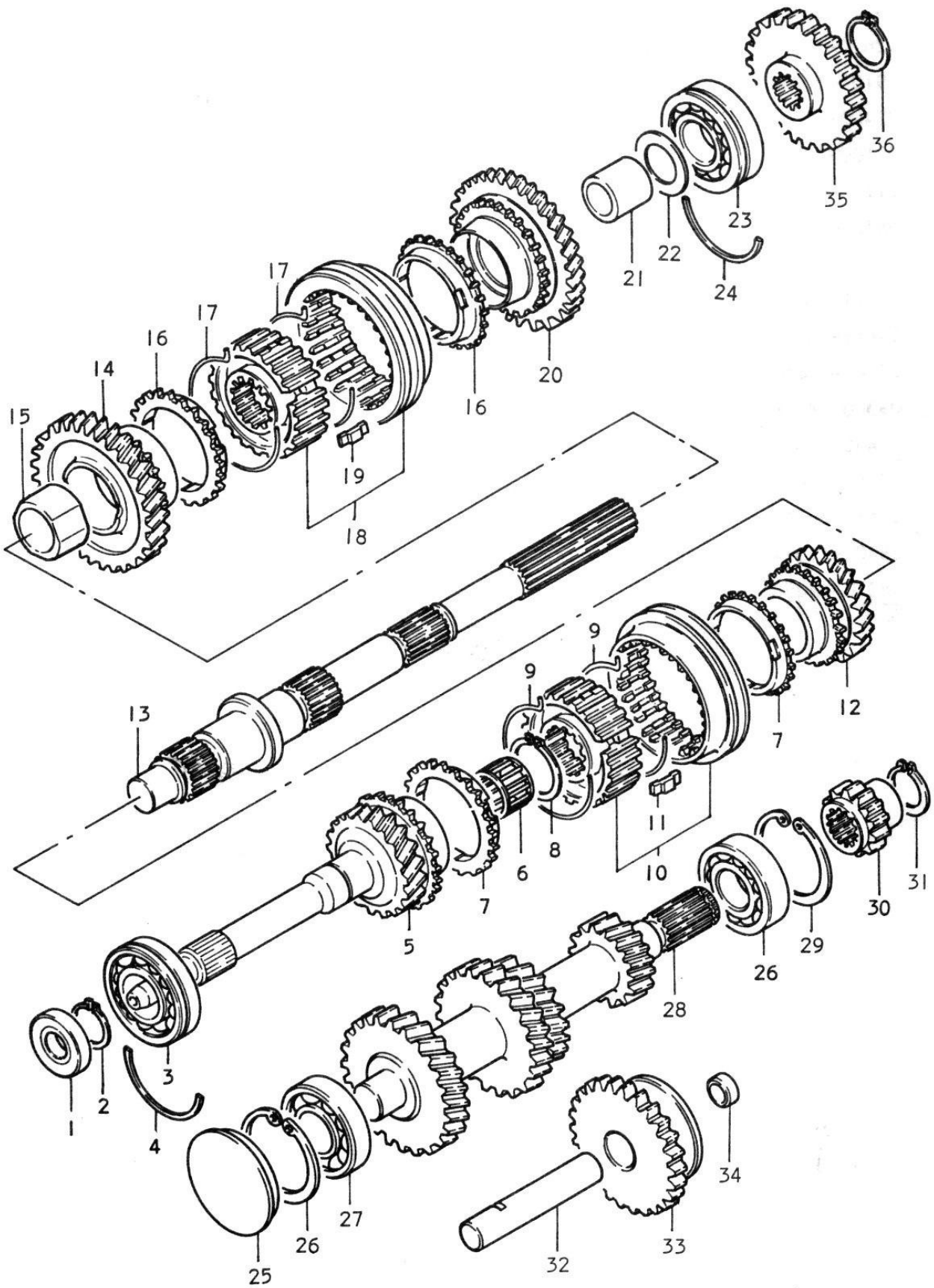
Ref.No.	Part No.	Description	Q'ty			Remarks
			O	V	K	
1	62231-63001	WEATHERSTRIP	1	1	1	
2	62210-63002	BOX, cowl ventilator	1	1	1	RHD
3	62210-63611	BOX, cowl ventilator	1	1	1	LHD
4	08316-16068	NUT	4	4	4	
5	62232-63000	PIPE, ventilator box	2	2	2	
6	62240-63000	PANEL, control box	1	1	1	
7	03141-05128	SCREW	4	4	4	
8	62250-63000	BUTTERFLY, control box	1	1	1	
9	62220-63000	BUTTERFLY, ventilator	1	1	1	RHD
10	62220-63610	BUTTERFLY, ventilator	1	1	1	LHD
11	62223-63000	WEATHERSTRIP, ventilator	1	1	1	
12	62224-63000	SPRING, side ventilator	1	1	1	
13	09148-04010	NUT	2	2	2	
14	62261-63000	ROD, side ventilator	1	1	1	RHD
15	62851-73020	ROD, side ventilator	1	1	1	LHD
16	62262-63600	KNOB, side ventilator	1	1	1	
17	62272-63600	KNOB, control box	1	1	1	
18	62270-63000	ROD, control box	1	1	1	RHD
19	62860-73021	ROD, control box	1	1	1	LHD
20	09148-04010	NUT	1	1	1	
21	62259-63000	SPRING, control shaft	1	1	1	
22	09148-05006	NUT	1	1	1	
23	09308-05012	GROMMET	2	2	2	
24	62932-73000	KNOB, ventilator control	1	1	-	} heater not used
25	09250-10005	PLUG, heater switch	1	1	-	
26	09250-12001	PLUG, ventilator rod	1	1	-	

FIG.21 CLUTCH



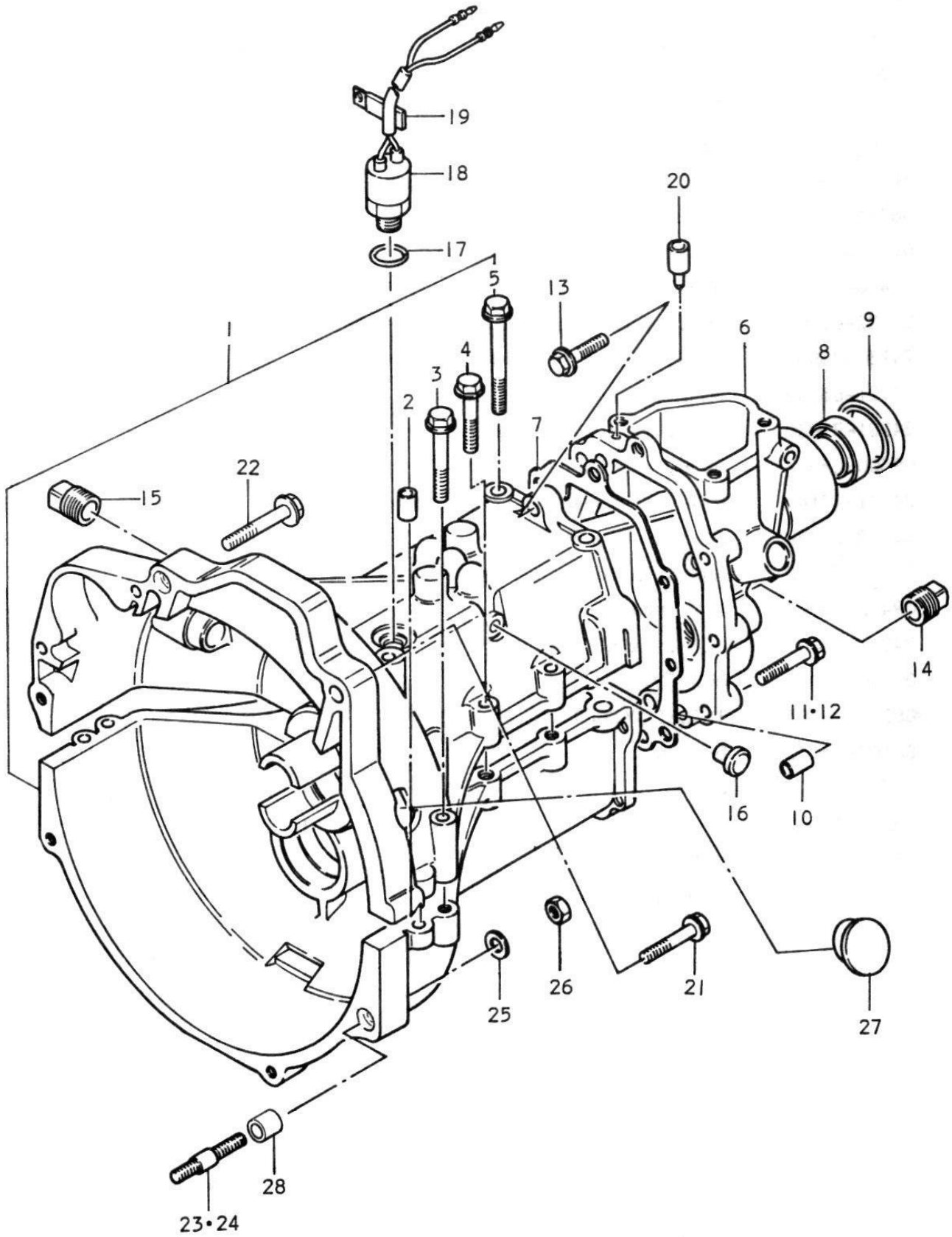
Ref.No.	Part No.	Description	Q'ty			Remarks
			O	V	K	
1	04221-06129	KNOCK PIN	1	1	1	6x12
2	12620-73000	FLYWHEEL	1	1	1	
3	09103-10011	BOLT, flywheel	6	6	6	
4	22400-72021	DISK, clutch	1	1	1	
5	22100-72021	COVER ASSY, clutch	1	1	1	
6	01107-08168	BOLT	6	6	6	
7	08321-21088	LOCK WASHER	6	6	6	
8	09269-38001	BEARING, clutch release	1	1	1	
9	23161-65001	RETAINER, release bearing	1	1	1	
10	09448-12005	SPRING, clutch release bearing	2	2	2	
11	23260-72001	SHAFT, clutch release	1	1	1	
12	09300-14009	BUSH, shaft	2	2	2	14x24x19
13	09448-20003	SPRING, release lever return	1	1	1	
14	23266-72001	ARM, clutch release	1	1	1	
15	01517-08358	BOLT	1	1	1	
16	08322-11088	WASHER	1	1	1	
17	08310-12088	NUT	1	1	1	

FIG.22 TRANSMISSION



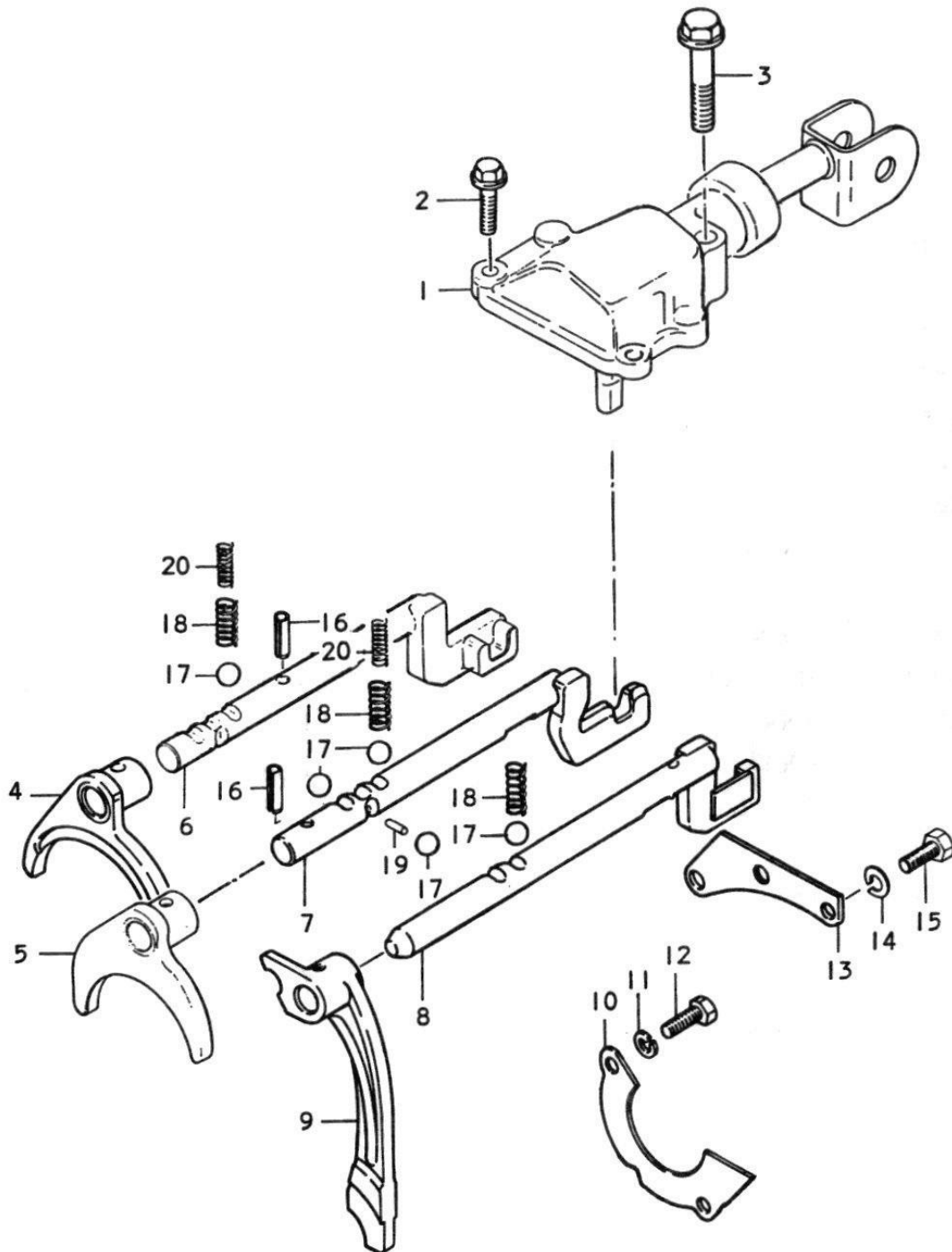
Ref.No.	Part No.	Description	Q'ty			Remarks
			O	V	K	
1	09283-20028	OIL SEAL	1	1	1	20x47x8.5
2	08331-11209	CIRCLIP	1	1	1	
3	08163-62040	BEARING	1	1	1	
4	09390-47002	C RING	1	1	1	
5	24110-73001	SHAFT, transmission input	1	1	1	NT:19
6	09263-17002	BEARING, needle roller	1	1	1	ID:17.5, OD:22
7	24431-74030	RING, high speed synchronizer	2	2	2	
8	08331-11219	CIRCLIP	1	1	1	
9	09388-00007	SPRING, synchronizer	2	2	2	
10	24400-70810	HUB SET, high speed	1	1	1	
11	09422-05009	KEY, synchronizer	3	3	3	
12	24230-73001	GEAR, main shaft third	1	1	1	NT:25
13	24121-63200	SHAFT, transmission main	1	1	1	
14	24221-73000	GEAR, main shaft second	1	1	1	NT:29
15	09300-25012	BUSH, second gear	1	1	1	
16	24431-72140	RING, low speed synchronizer	2	2	2	
17	09388-00009	SPRING, synchronizer	2	2	2	
18	24400-70820	HUB SET, low speed	1	1	1	
19	09422-05009	KEY, synchronizer	3	3	3	
20	24211-73001	GEAR, main shaft low	1	1	1	NT:30
21	09300-20021	BUSH	1	1	1	20x26x25
22	08211-20363	THRUST WASHER	1	1	1	20x36x2.0
23	08163-63040	BEARING	1	1	1	
24	09390-52003	C RING	1	1	1	
25	09241-47001	PLUG	1	1	1	
26	08331-21479	CIRCLIP	1	1	1	
27	08113-62040	BEARING	2	2	2	
28	24130-73000	SHAFT, counter	1	1	1	
29	08331-21479	CIRCLIP	1	1	1	
30	24671-73000	GEAR, counter shaft reverse	1	1	1	NT:12
31	08331-11199	CIRCLIP	1	1	1	
32	24551-63200	SHAFT, reverse gear	1	1	1	
33	24560-73000	GEAR, reverse idle	1	1	1	NT:17
34	09241-14001	PLUG	1	1	1	
35	24681-73000	GEAR, main shaft reverse	1	1	1	NT:27
36	08331-11199	CIRCLIP	1	1	1	

FIG.23 TRANSMISSION CASE



Ref.No.	Part No.	Description	Q'ty			Remarks
			O	V	K	
1	24700-73811	TRANSMISSION CASE SET	1	1	1	
2	04211-11169	•DOWEL PIN	2	2	2	
3	01517-08608	•BOLT (3)	2	2	2	8x60
4	09103-08004	•BOLT (2)	4	4	4	8x42
5	09103-08013	•BOLT (1)	4	4	4	8x95
6	24770-63203	CASE, extension	1	1	1	
7	24784-63201	GASKET	1	1	1	
8	09283-28011	OIL SEAL, extension case	1	1	1	
9	24790-63201	COVER, oil seal	1	1	1	
10	04211-11169	DOWEL PIN	2	2	2	
11	01517-08308	BOLT (1)	1	1	1	
12	01517-08358	BOLT (2)	3	3	3	
13	01517-08408	BOLT (3)	4	4	4	
14	09246-16004	PLUG, drain	1	1	1	
15	09246-16004	PLUG, oil filler	1	1	1	
16	09250-08001	PLUG, gear shift locating	1	1	1	
17	09280-11002	O RING	1	1	1	ID:11.4, d:1.9
18	37610-58040	SWITCH ASSY, back up lamp	1	1	1	
19	09404-08401	CLAMP	1	1	1	
20	24821-09000	PLUG, breather	1	1	1	
21	01517-10408	BOLT	1	1	1	
22	01517-10508	BOLT	1	1	1	
23	01421-10508	STUD BOLT	1	1	1	
24	01421-10408	STUD BOLT	1	1	1	
25	08322-11108	WASHER	2	2	2	
26	08310-12108	NUT	2	2	2	
27	09250-26005	CAP, inspection timing	1	1	1	
28	09206-13001	DOWEL PIN	2	2	2	

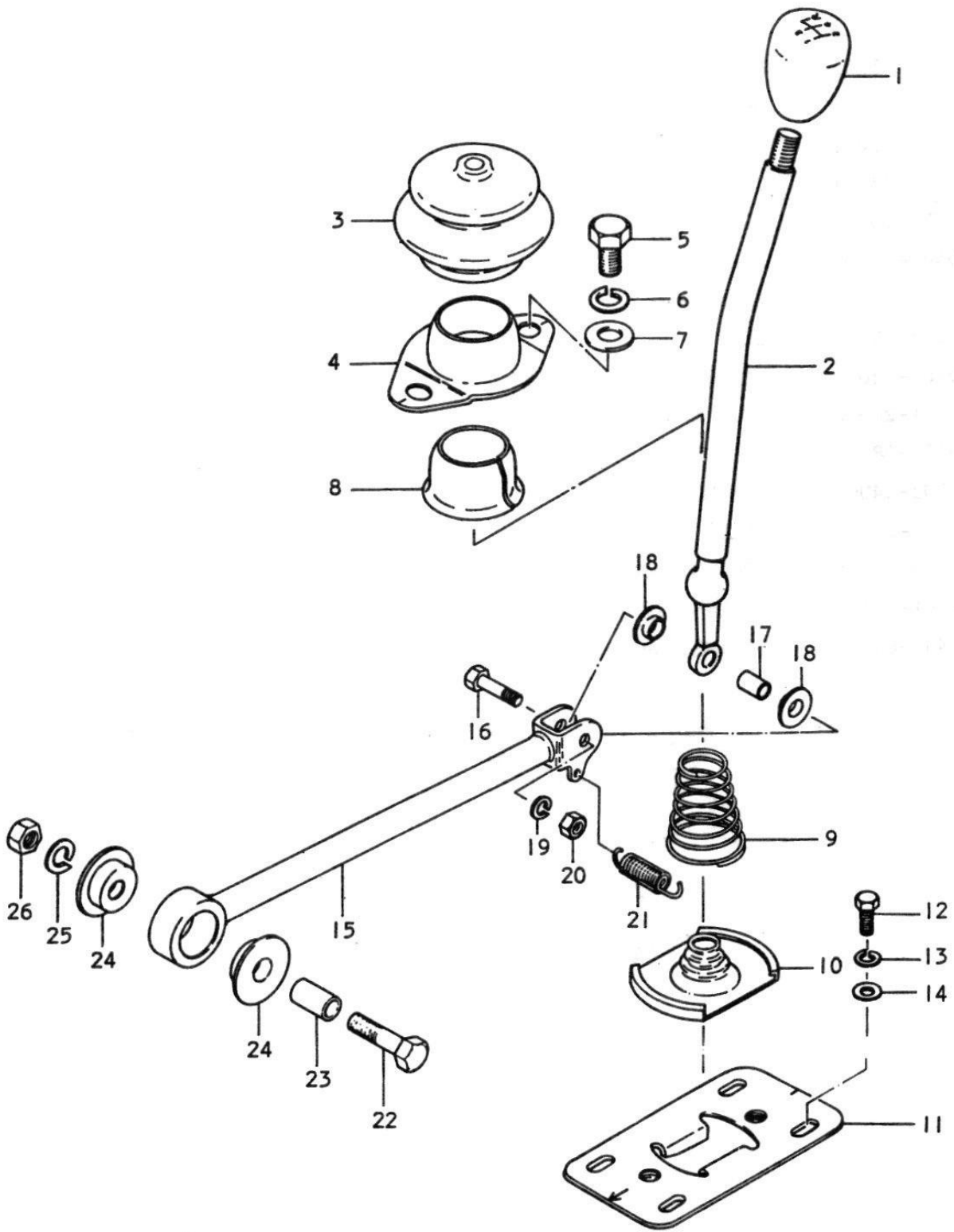
FIG.24 GEAR SHIFT FORK





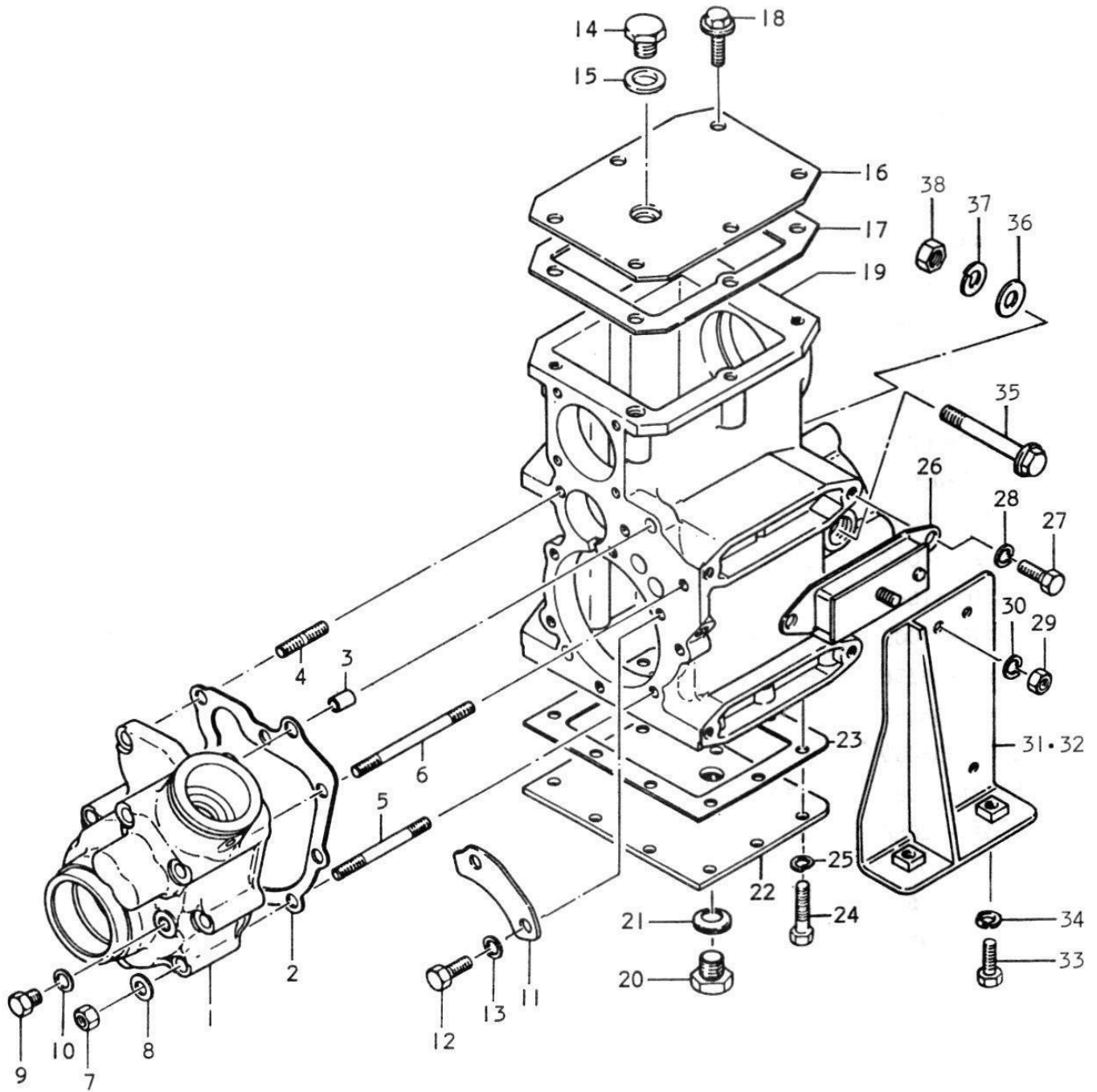
Ref.No.	Part No.	Description	Q'ty			Remarks
			O	V	K	
1	25100-63204	CASE, gear shifting lever	1	1	1	
2	01517-06208	BOLT	2	2	2	
3	01517-08458	BOLT	1	1	1	
4	25210-63203	FORK, low speed gear	1	1	1	
5	25220-63202	FORK, high speed gear	1	1	1	
6	25410-63201	SHAFT, low speed gear	1	1	1	
7	25420-63201	SHAFT, high speed gear	1	1	1	
8	25450-73001	SHAFT, reverse gear	1	1	1	
9	25251-73000	FORK, reverse gear shift	1	1	1	
10	25482-72000	PLATE, reverse gear shift stop	1	1	1	
11	08321-21068	LOCK WASHER	2	2	2	
12	01107-06168	BOLT	2	2	2	
13	25481-72001	PLATE, gear shift stop	1	1	1	
14	08321-21088	LOCK WASHER	2	2	2	
15	09100-08037	BOLT	2	2	2	
16	09205-04003	SPRING PIN	3	3	3	
17	06111-10003	BALL	5	5	5	
18	09440-07005	SPRING, gear shift locating	3	3	3	
19	09261-03002	ROLLER, shifter shift locating	1	1	1	
20	09440-04019	SPRING, gear shift locating	3	3	3	

FIG.25 CHAGE REMOTE CONTROL



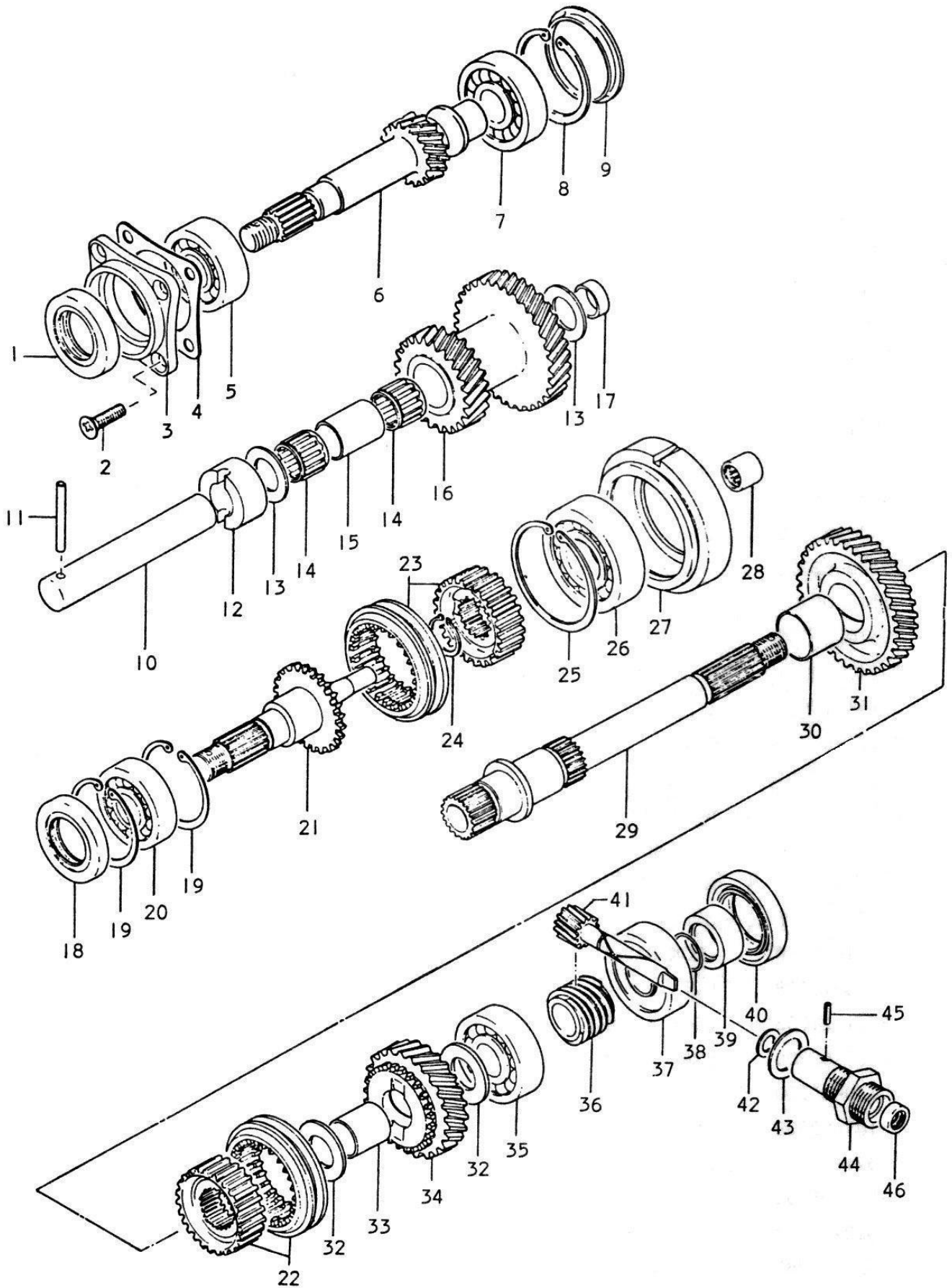
Ref.No.	Part No.	Description	Q'ty			Remarks
			O	V	K	
1	28113-71500	KNOB, gear shift lever	1	1	1	
2	28110-63201	LEVER, gear shift control	1	1	1	
3	28135-63101	BOOTS, gear shift control lever	1	1	1	
4	28181-58002	HOUSING, control lever	1	1	1	
5	01107-10168	BOLT	2	2	2	
6	08321-21108	LOCK WASHER	2	2	2	
7	08322-11108	WASHER	2	2	2	
8	28115-64000	SEAT, gear shift control lever	1	1	1	
9	09441-41003	SPRING, gear shift control lever	1	1	1	
10	28136-58001	DUST SEAL	1	1	1	
11	28190-64000	PLATE, lever guide	1	1	1	
12	01107-06168	BOLT	4	4	4	
13	08321-21068	LOCK WASHER	4	4	4	
14	08322-21068	WASHER	4	4	4	
15	28250-73000	ROD, gear shift control	1	1	1	
16	09100-06036	BOLT	1	1	1	
17	09180-06018	SPACER (1)	1	1	1	6.1x8x12.4
18	09306-08002	BUSH	2	2	2	
19	08321-21068	LOCK WASHER	1	1	1	
20	08310-11068	NUT	1	1	1	
21	09443-15005	SPRING, return	1	1	1	
22	01107-08358	BOLT	1	1	1	
23	09180-08053	SPACER (2)	1	1	1	8.2x11x22.5
24	28291-58000	BUSH	2	2	2	
25	08321-21088	LOCK WASHER	1	1	1	
26	08310-12088	NUT	1	1	1	

FIG.26 TRANSFER CASE



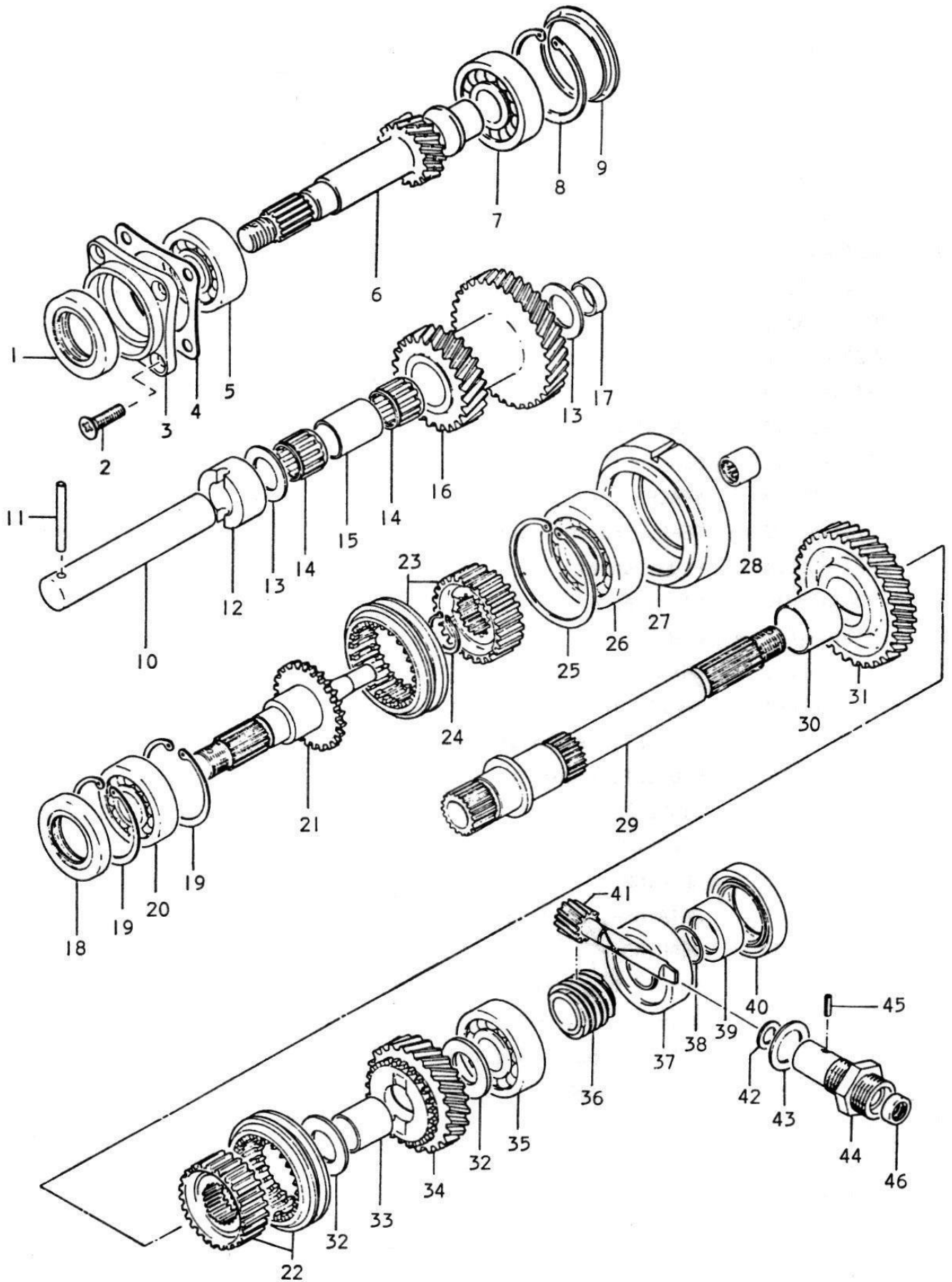
Ref.No.	Part No.	Description	Q'ty			Remarks
			O	V	K	
1	29520-63004	CASE, transfer front	1	1	1	
2	29525-63001	GASKET, front case	1	1	1	
3	04211-09129	DOWEL PIN	2	2	2	
4	01421-08208	STUD BOLT (1)	1	1	1	
5	01421-08508	STUD BOLT (2)	5	5	5	
6	01421-08758	STUD BOLT (3)	2	2	2	
7	08310-12088	NUT	8	8	8	
8	08322-11088	WASHER	8	8	8	
9	01517-06108	PLUG, oil level	1	1	1	
10	09168-06004	GASKET	1	1	1	8.2x14x1
11	29351-63001	PLATE, stop	1	1	1	
12	01107-08208	BOLT	2	2	2	
13	08321-21088	LOCK WASHER	2	2	2	
14	09247-14008	PLUG, oil filler	1	1	1	
15	09168-14004	GASKET	1	1	1	
16	29540-63200	COVER, transfer case upper	1	1	1	
17	29545-63200	GASKET, upper cover	1	1	1	
18	01517-08208	BOLT	6	6	6	
19	29510-63202	CASE, transfer main	1	1	1	
20	09247-14001	PLUG, drain	1	1	1	
21	09168-14004	GASKET	1	1	1	
22	29550-63200	COVER, transfer case bottom	1	1	1	
23	29555-63201	GASKET, bottom	1	1	1	
24	01107-06168	BOLT	10	10	10	
25	08321-21068	LOCK WASHER	10	10	10	
26	29610-63221	MOUNTING, transfer case	4	4	4	
27	01107-08208	BOLT	8	8	8	
28	08321-21088	LOCK WASHER	4	4	4	
29	08310-12088	NUT	4	4	4	
30	08321-21088	LOCK WASHER	4	4	4	
31	29620-63200	BRACKET, mounting RH	1	1	1	
32	29630-63200	BRACKET, mounting LH	1	1	1	
33	01107-08208	BOLT	4	4	4	
34	08321-21088	LOCK WASHER	4	4	4	
35	01517-08658	BOLT	1	1	1	
36	08322-11088	WASHER	1	1	1	
37	08321-21088	LOCK WASHER	1	1	1	
38	08310-12088	NUT	1	1	1	

FIG.27 TRANSFER GEAR



Ref.No.	Part No.	Description	Q'ty			Remarks
			O	V	K	
1	09283-28010	OIL SEAL	1	1	1	
2	02122-06208	SCREW	4	4	4	
3	29531-63000	RETAINER, input shaft bearing	1	1	1	
4	29532-63000	GASKET, bearing retainer	1	1	1	
5	08113-62040	BEARING	1	1	1	
6	29111-63600	SHAFT, transfer input	1	1	1	NT:16
7	08113-63050	BEARING	1	1	1	
8	08331-41628	CIRCLIP	1	1	1	
9	09241-62001	PLUG, bearing	1	1	1	
10	29131-63201	SHAFT, counter gear	1	1	1	
11	09202-06014	PIN, stopper	1	1	1	6x44
12	09300-25009	BUSH	1	1	1	25x36x19
13	09160-25018	THRUST WASHER	2	2	2	25x40x3.8
14	09263-25012	BEARING	3	3	3	25x33x23.8
15	09180-25047	SPACER	1	1	1	25.1x31x25.4
16	29121-63602	GEAR, trasfer counter	1	1	1	NT:21/27
17	09241-25001	PLUG, shaft	1	1	1	
18	09283-28010	OIL SEAL	1	1	1	
19	08331-21479	CIRCLIP	2	2	2	
20	08113-62040	BEARING	1	1	1	
21	29151-63001	SHAFT, transfer output front	1	1	1	
22	29200-73812	HUB SET, reduction clutch	1	1	1	
23	29200-73820	HUB SET, front drive clutch	1	1	1	
24	08331-11229	CIRCLIP	1	1	1	
25	08331-41628	CIRCLIP	1	1	1	
26	08113-63050	BEARING	1	1	1	
27	29535-63001	RETAINER, bearing	1	1	1	
28	09263-10003	BEARING	1	1	1	
29	29141-63201	SHAFT, transfer output rear	1	1	1	
30	09300-25014	BUSH	1	1	1	25x30x33
31	29210-63601	GEAR, output shaft low	1	1	1	NT:32
32	08211-20365	THRUST WASHER	2	2	2	
33	09300-20018	BUSH	1	1	1	
34	29221-63601	GEAR, output shaft high	1	1	1	NT:25
35	09264-20001	BEARING	1	1	1	

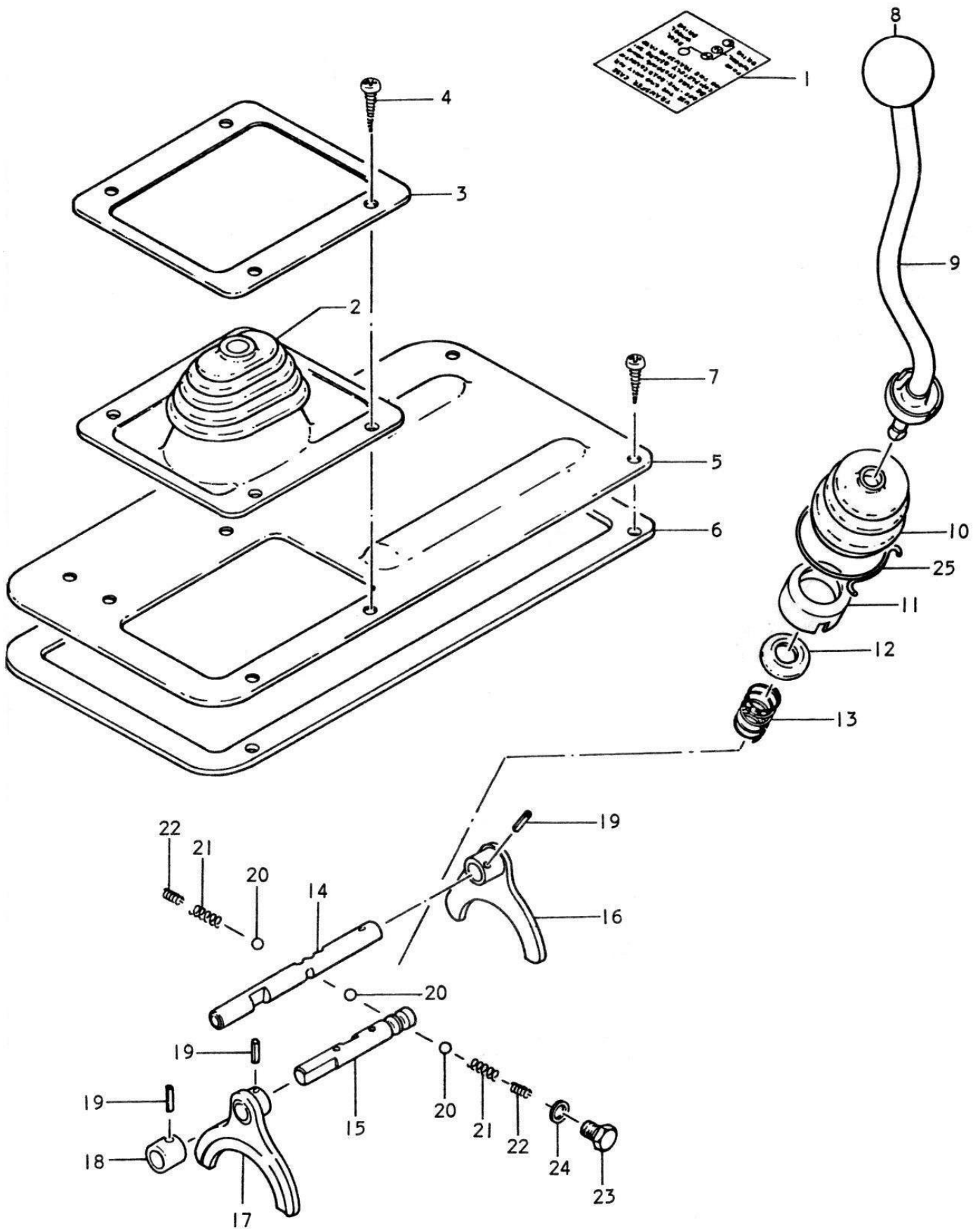
FIG.27 TRANSFER GEAR





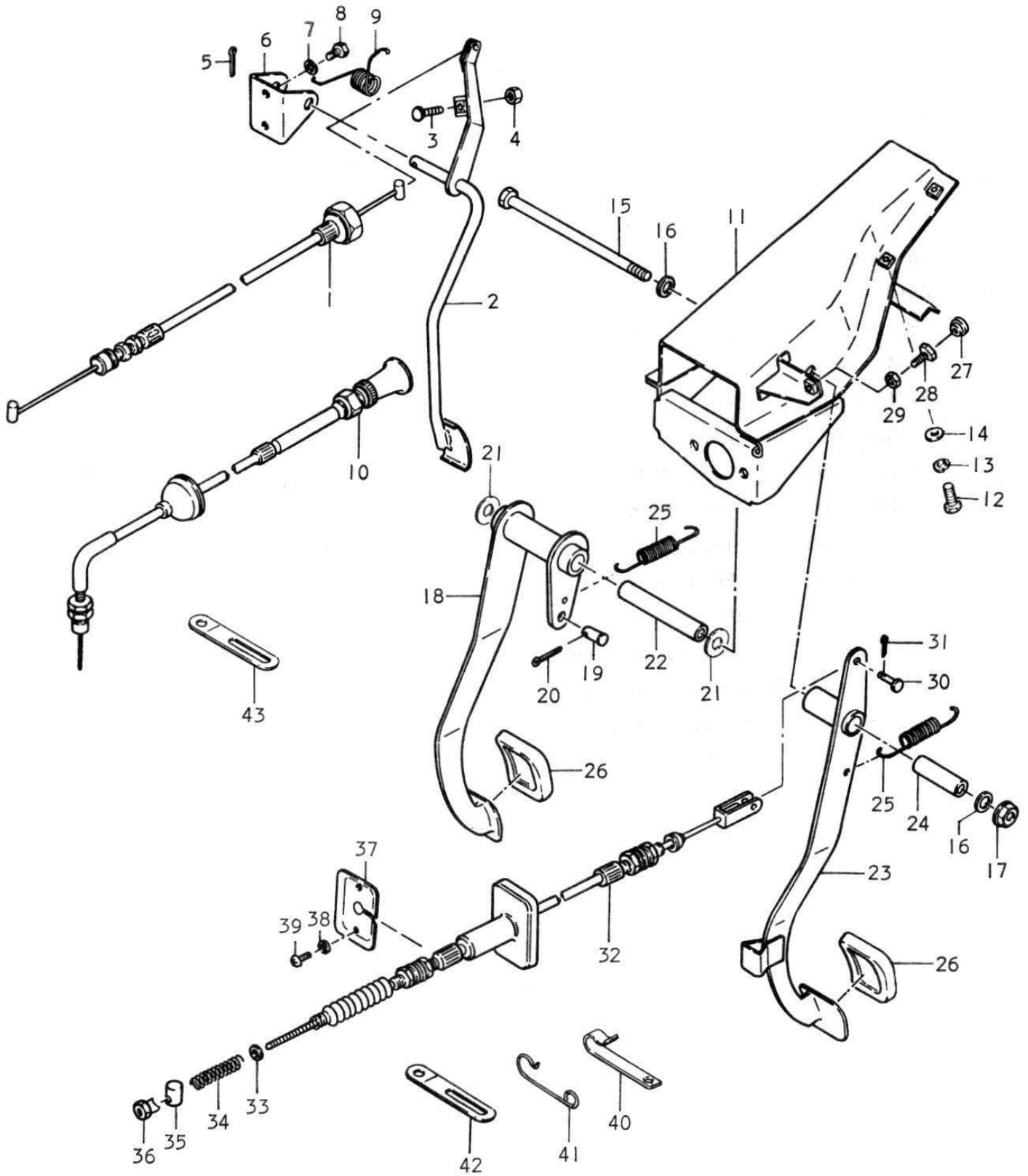
Ref.No.	Part No.	Description	Q'ty			Remarks
			O	V	K	
36	29411-63201	GEAR, speedometer drive	1	1	1	
37	08133-63047	BEARING	1	1	1	
38	09280-19001	O RING	1	1	1	ID:18.8, d:1.9
39	29143-63000	RETAINER, o ring	1	1	1	20x32x16
40	09283-32009	OIL SEAL	1	1	1	32x52x10
41	29421-63201	GEAR, speedometer driven	1	1	1	
42	08211-10151	THRUST WASHER	1	1	1	
43	09168-20001	GASKET	1	1	1	20.5x30x1
44	26111-63200	CASE, speedometer gear	1	1	1	
45	09205-02004	PIN, driven gear	1	1	1	
46	09285-10001	OIL SEAL	1	1	1	10x16x5

FIG.28 TRANSFER GEAR SHIFT



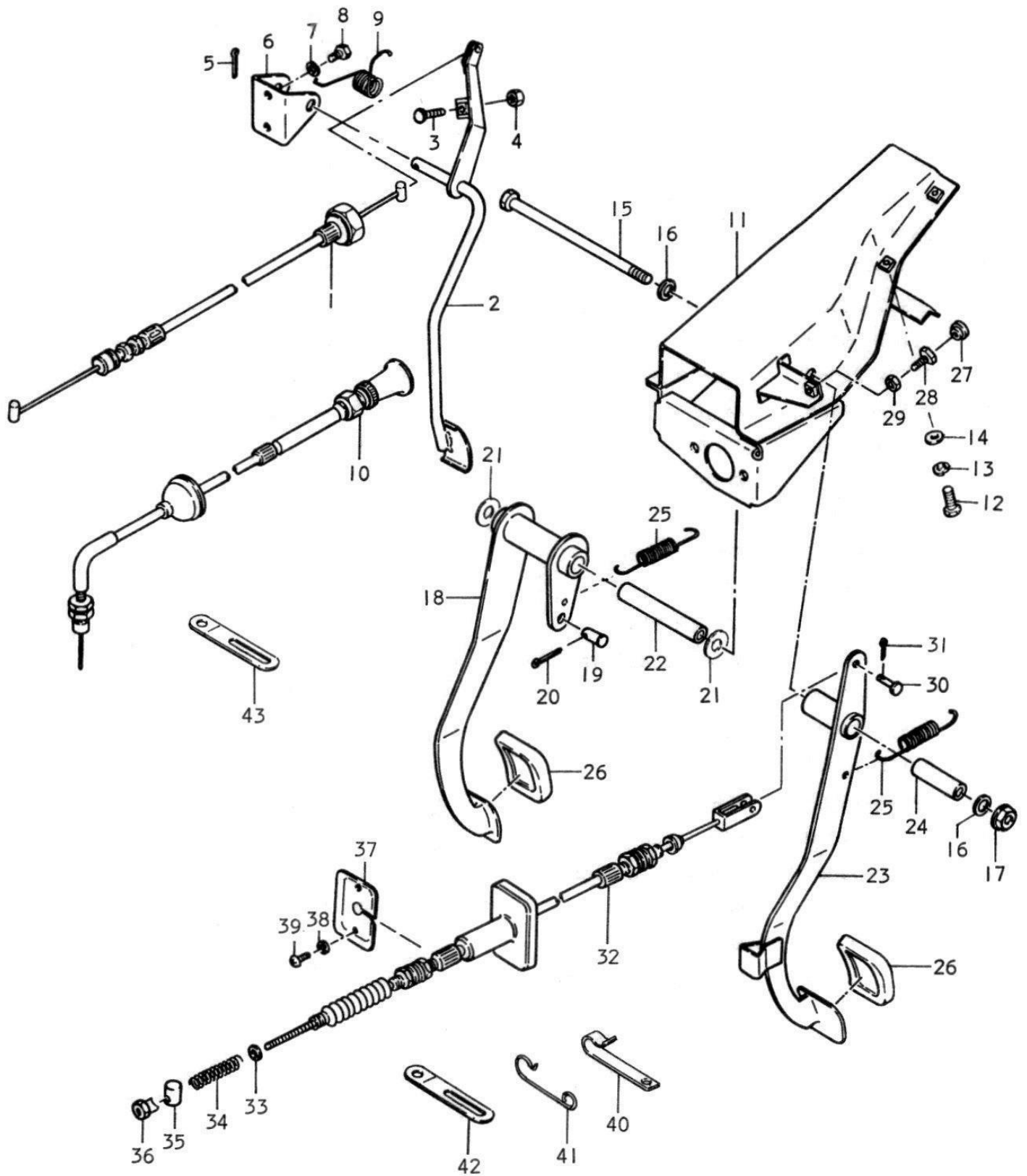
Ref.No.	Part No.	Description	Q'ty			Remarks
			O	V	K	
1	28381-63604	EMBLEM, gear shift control	1	1	1	
2	28137-63001	COVER, gear shift lever	1	1	1	
3	28138-63001	FLANGE, gear shift lever	1	1	1	
4	03241-06168	SCREW	4	4	4	
5	66311-63002	LID, floor tunnel	1	1	1	
6	65632-63003	PAD, floor tunnel lid	1	1	1	
7	03141-06168	SCREW	3	3	3	
8	28113-63022	KNOB	1	1	1	
9	29340-63003	LEVER, gear control	1	1	1	
10	28135-60020	BOOTS, control lever	1	1	1	
11	28121-60000	SEAT, lever guide	1	1	1	
12	28115-60000	SEAT, lever spring	1	1	1	
13	09440-20006	SPRING	1	1	1	
14	29331-63202	SHAFT, reduction	1	1	1	
15	29332-63000	SHAFT, front drive shift	1	1	1	
16	29320-63002	FORK, reduction shift	1	1	1	
17	29310-63001	FORK, front drive shift	1	1	1	
18	29314-63000	PIPE, lever stop	1	1	1	
19	09205-04003	SPRING PIN	3	3	3	
20	06111-10003	BALL	3	3	3	
21	09440-07005	SPRING, gear shift locating	2	2	2	
22	09440-04011	SPRING, gear shift locating	2	2	2	
23	09100-10004	PLUG, gear shift	1	1	1	
24	09168-10007	GASKET	1	1	1	
25	09401-50402	CLAMP	1	1	1	

FIG.29 FOOT PEDEL - CABLE (for RHD)



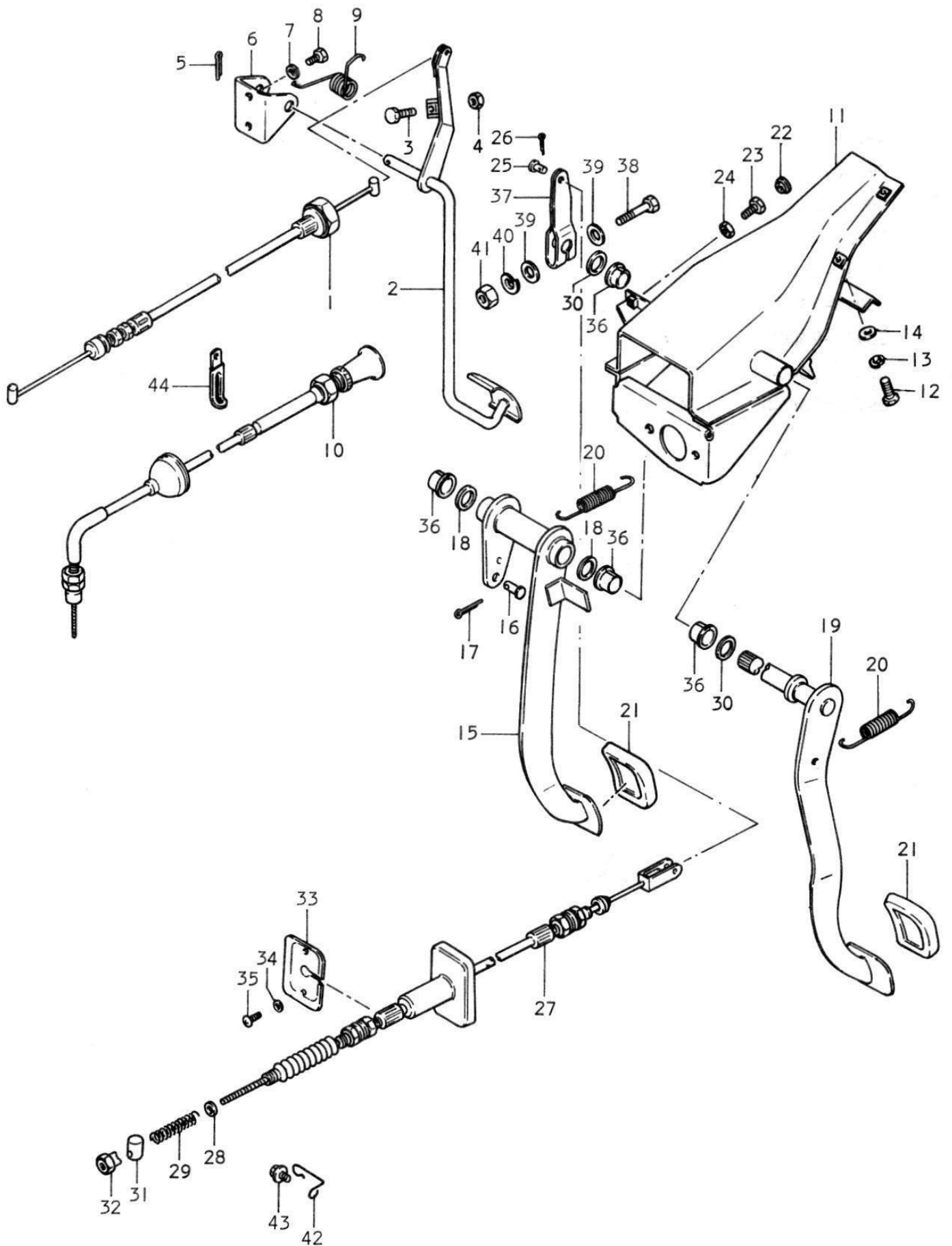
Ref.No.	Part No.	Description	Q'ty			Remarks
			O	V	K	
1	15910-73000	CABLE ASSY, accelerator	1	1	1	
2	49410-73000	PEDAL, accelerator	1	1	1	
3	09100-06055	BOLT	1	1	1	6x25
4	08310-22068	NUT	1	1	1	
5	04111-20208	COTTER PIN	1	1	1	
6	28771-63000	BRACKET, accelerator pedal	1	1	1	
7	08321-21068	LOCK WASHER	2	2	2	
8	02112-06128	SCREW	2	2	2	
9	09448-19003	SPRING, accelerator pedal	1	1	1	
10	15930-73000	CABLE ASSY, choke	1	1	1	
11	28930-63001	BRACKET, pedal	1	1	1	
12	01107-06128	BOLT	2	2	2	
13	08321-21068	LOCK WASHER	2	2	2	
14	08322-21068	WASHER	2	2	2	
15	09100-10056	BOLT, pedal	1	1	1	10x160
16	08322-11108	WASHER	2	2	2	
17	08316-26106	NUT	1	1	1	
18	28810-63002	PEDAL, brake	1	1	1	
19	09200-08006	PIN	1	1	1	
20	04111-25208	COTTER PIN	1	1	1	
21	09161-16003	WASHER, adjust	AR(1~4)			
22	28825-61000	SPACER	1	1	1	
23	28850-63001	PEDAL, clutch	1	1	1	
24	09180-10018	SPACER	1	1	1	10x13x56
25	09443-13002	SPRING, pedal	2	2	2	
26	28911-51000	PAD, pedal	2	2	2	
27	09320-03001	CUSHION, clutch stop	1	1	1	
28	09119-06003	BOLT	1	1	1	
29	08310-22068	NUT	1	1	1	
30	09200-06009	PIN, clutch pedal	1	1	1	

FIG.29 FOOT PEDEL - CABLE (for RHD)



Ref.No.	Part No.	Description	Q'ty			Remarks
			O	V	K	
31	04111-20158	COTTER PIN	1	1	1	
32	23710-73001	CABLE ASSY, clutch	1	1	1	
33	08322-11068	WASHER	1	1	1	
34	09440-08001	SPRING	1	1	1	
35	09209-13003	PIN, joint	1	1	1	
36	09150-06001	NUT, joint	1	1	1	
37	28913-63000	COVER, dust seal	1	1	1	
38	08321-21058	LOCK WASHER	2	2	2	
39	02112-05128	SCREW	2	2	2	
40	23915-73000	CLAMP, clutch cable	1	1	1	
41	23916-73000	CLAMP, clutch cable	1	1	1	
42	09404-06404	CLAMP, clutch cable	1	1	1	
43	09404-08404	CLAMP, choke cable	1	1	1	

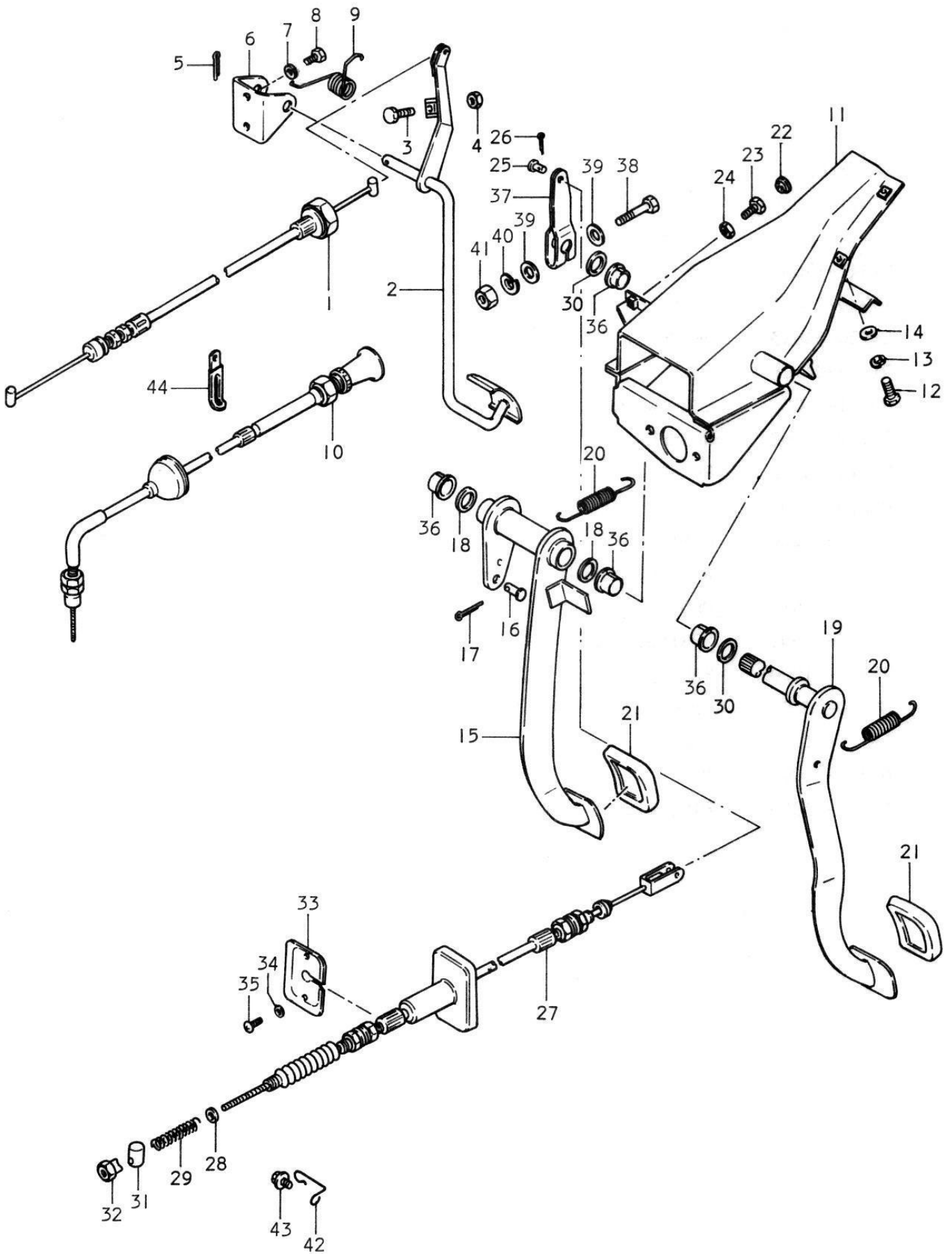
FIG.30 FOOT PEDEL - CABLE (for LHD)





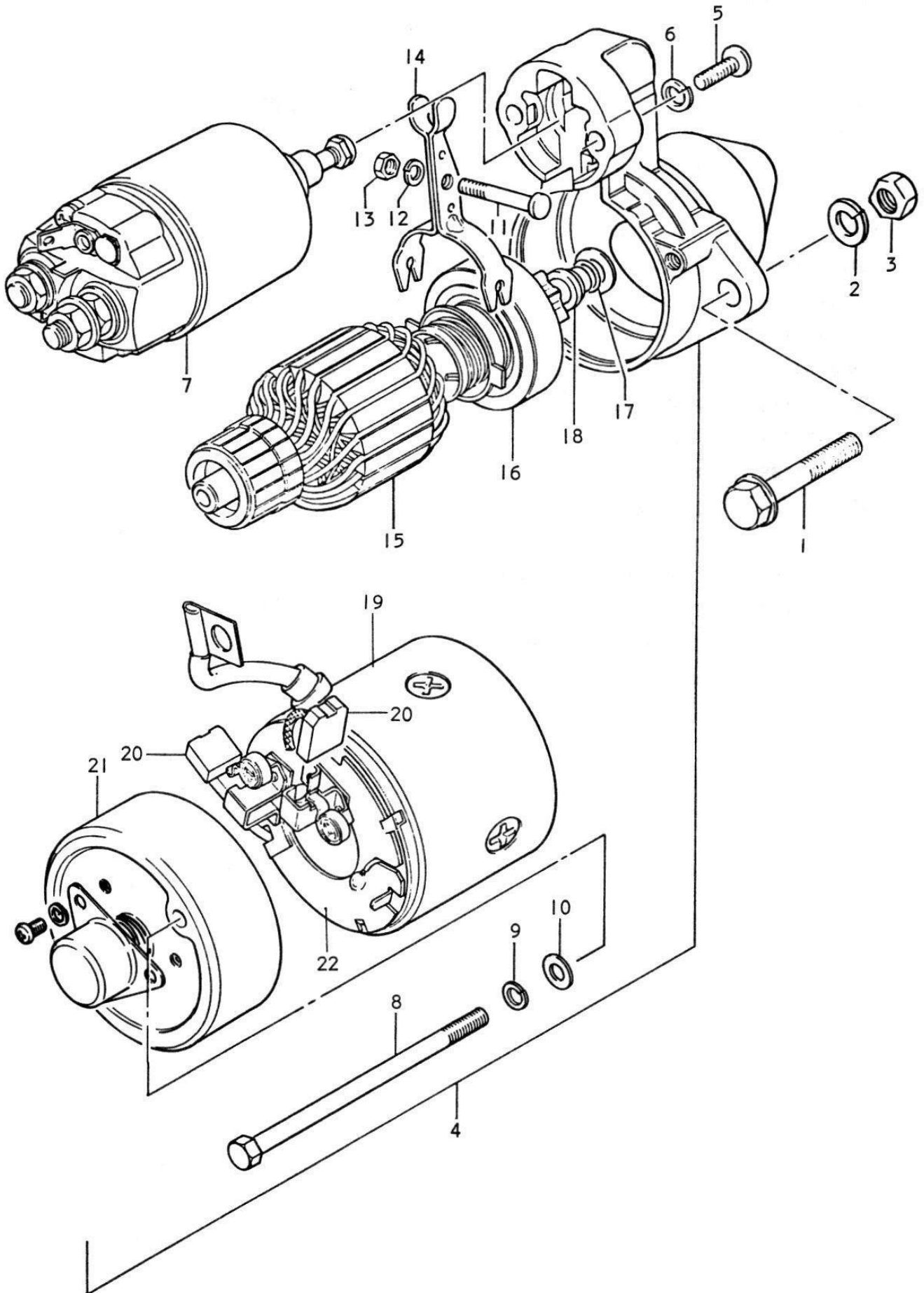
Ref.No.	Part No.	Description	Q'ty			Remarks
			O	V	K	
1	15910-73011	CABLE ASSY, accelerator	1	1	1	
2	28710-63612	PEDAL, accelerator	1	1	1	
3	09100-06055	BOLT	1	1	1	6x25
4	08310-22068	NUT	1	1	1	
5	04111-20208	COTTER PIN	1	1	1	
6	28771-63000	BRACKET, accelerator pedal	1	1	1	
7	08321-21068	LOCK WASHER	2	2	2	
8	02112-06128	SCREW	2	2	2	
9	09448-19003	SPRING, accelerator pedal	1	1	1	
10	15930-73010	CABLE ASSY, choke	1	1	1	
11	28930-63613	BRACKET, pedal	1	1	1	
12	01107-06128	BOLT	2	2	2	
13	08321-21068	LOCK WASHER	2	2	2	
14	08322-21068	WASHER	2	2	2	
15	28810-63612	PEDAL, brake	1	1	1	
16	09200-08006	PIN	1	1	1	
17	04111-25208	COTTER PIN	1	1	1	
18	09161-16003	WASHER, adjust	AR(1~3)			
19	28850-63612	PEDAL, clutch	1	1	1	
20	09443-13002	SPRING, pedal	2	2	2	
21	28911-51000	PAD, pedal	2	2	2	
22	09320-03001	CUSHION, clutch stop	1	1	1	
23	09119-06003	BOLT	1	1	1	
24	08310-31068	NUT	1	1	1	
25	09200-06009	PIN, clutch pedal	1	1	1	

FIG.30 FOOT PEDEL - CABLE (for LHD)



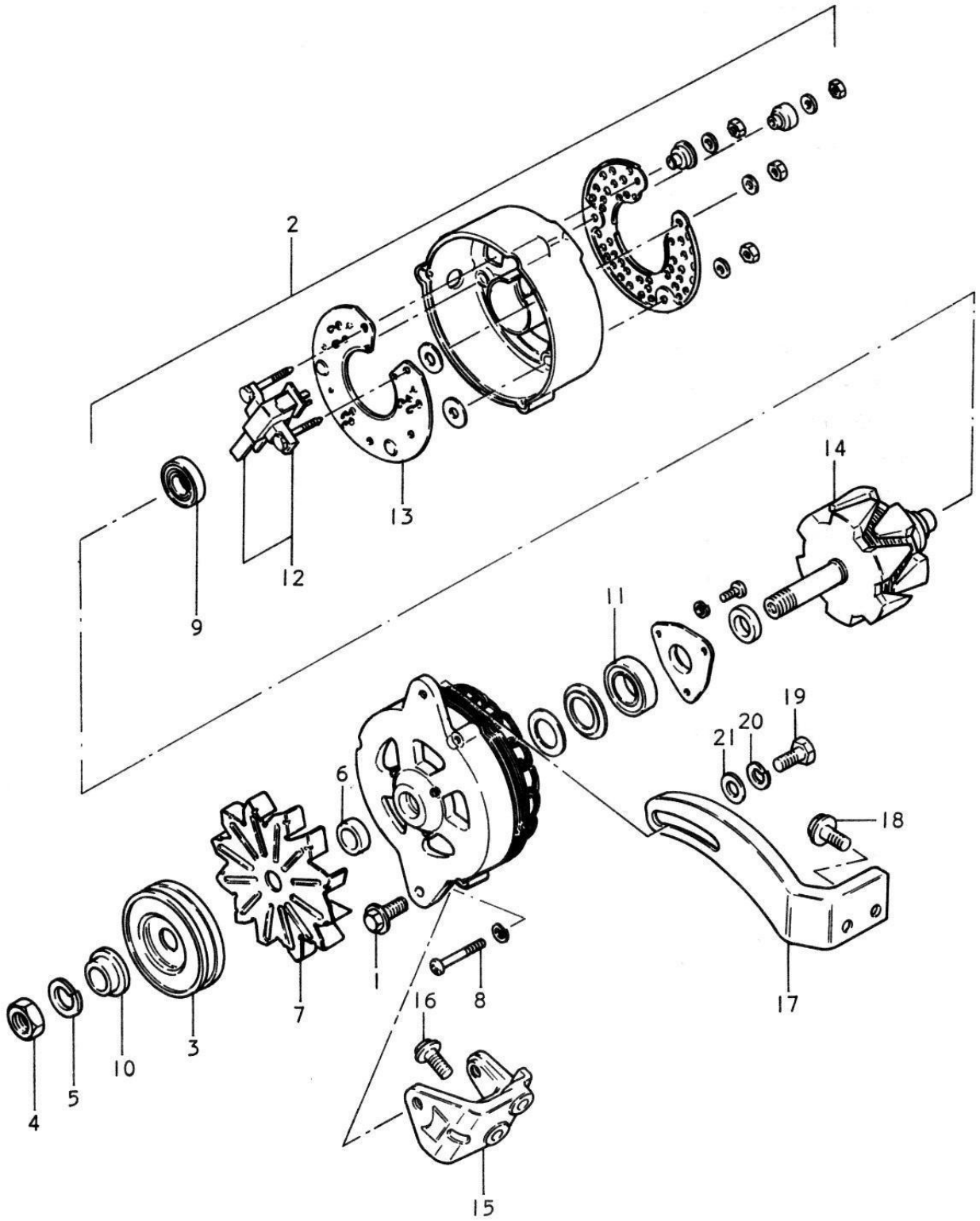
Ref.No.	Part No.	Description	Q'ty			Remarks
			O	V	K	
26	04111-20158	COTTER PIN	1	1	1	
27	23710-73011	CABLE ASSY, clutch	1	1	1	
28	08322-11068	WASHER	1	1	1	
29	09440-08001	SPRING	1	1	1	
30	09161-16003	WASHER, adjust	AR(0~4)			
31	09209-13003	PIN, joint	1	1	1	
32	09150-06001	NUT, joint	1	1	1	
33	28913-63000	COVER, dust seal	1	1	1	
34	08321-21058	LOCK WASHER	2	2	2	
35	02112-05128	SCREW	2	2	2	
36	09306-14004	BUSH	4	4	4	
37	28867-63612	ARM, clutch pedal shaft	1	1	1	
38	01517-08358	BOLT	1	1	1	
39	08322-11088	WASHER	1	1	1	
40	08321-21088	LOCK WASHER	1	1	1	
41	08310 12088	NUT	1	1	1	
42	23915-73010	CLAMP, clutch cable	1	1	1	
43	01517-06108	BOLT	1	1	1	
44	09404-08404	CLAMP, choke cable	1	1	1	

FIG. 31 STARTING MOTOR



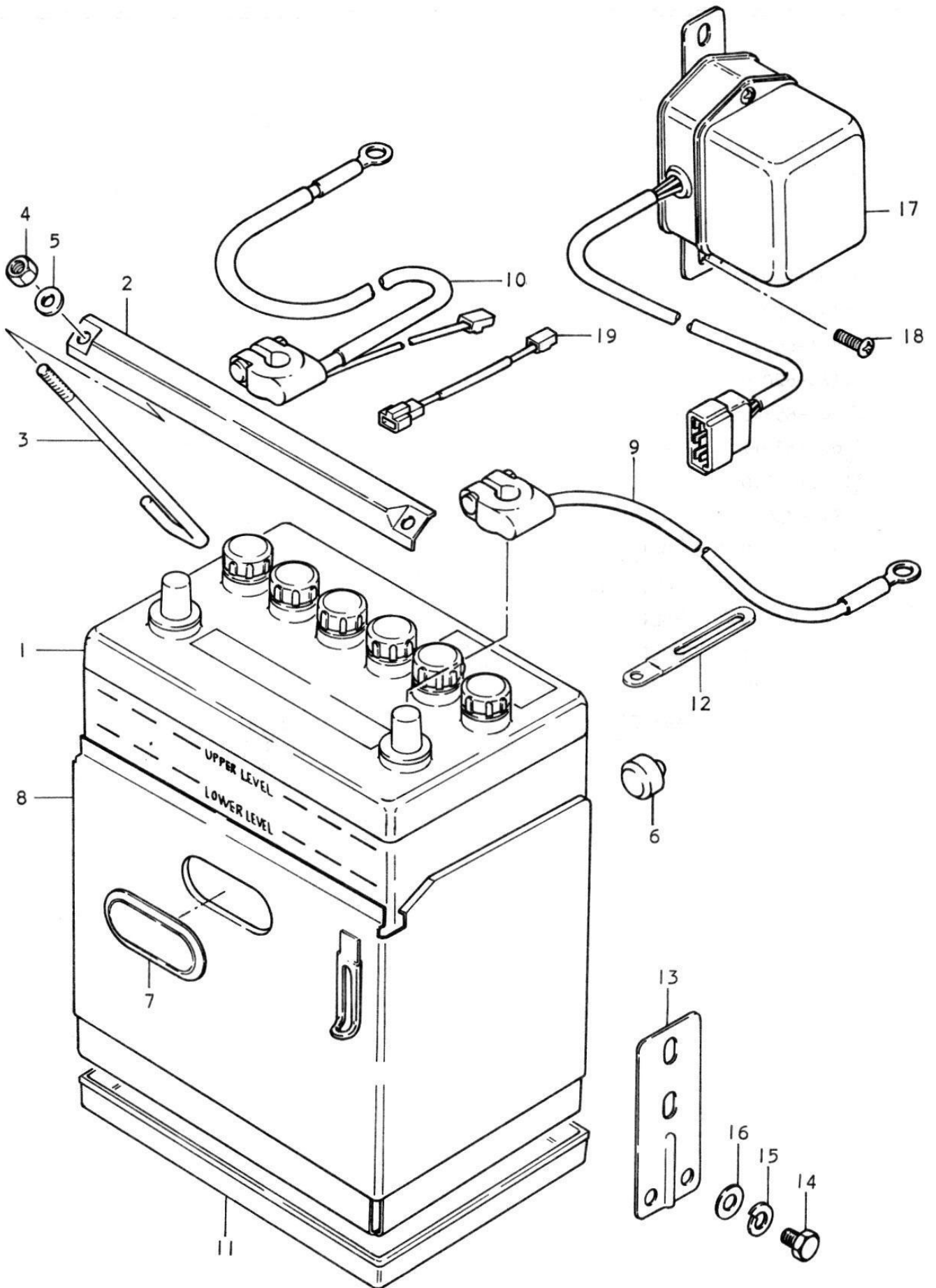
Ref.No.	Part No.	Description	Q'ty			Remarks
			O	V	K	
1	01517-08508	BOLT	2	2	2	
2	08321-21088	LOCK WASHER	2	2	2	
3	08310-12088	NUT	2	2	2	
4	31100-73010	MOTOR ASSY, starting	1	1	1	
5	31255-63210	•SCREW	2	2	2	
6	08321-21068	•LOCK WASHER	2	2	2	
7	31220-73010	•SWITCH ASSY	1	1	1	
8	31281-63210	•BOLT, housing	2	2	2	
9	08321-21058	•LOCK WASHER	2	2	2	
10	31263-55010	•WASHER	2	2	2	
11	31192-56010	•PIN	1	1	1	
12	08321-21068	•LOCK WASHER	1	1	1	
13	08310-11068	•NUT	1	1	1	
14	31191-56010	•LEVER	1	1	1	
15	31311-63210	•ARMATURE, motor	1	1	1	
16	31320-63210	•CLUTCH ASSY	1	1	1	
17	31312-55010	•RING	1	1	1	
18	31313-55010	•STOP RING	1	1	1	
19	31110-56011	•YOKE ASSY, motor	1	1	1	
20	31131-55011	•BRUSH	2	2	2	
21	31170-55012	•HOUSING ASSY, commutator end	1	1	1	
22	31173-63210	•HOLDER, brush	1	1	1	

FIG. 32 GENERATOR



Ref.No.	Part No.	Description	Q'ty			Remarks
			O	V	K	
1	01517-08308	BOLT	2	2	2	
2	31400-72010	GENERATOR ASSY	1	1	1	
3	31171-70010	•PULLEY	1	1	1	
4	31775-55011	•NUT, pulley	1	1	1	
5	08321-21148	•LOCK WASHER	1	1	1	
6	31791-70010	•SPACER, fan	1	1	1	
7	31761-70010	•FAN	1	1	1	
8	31651-55012	•BOLT	3	3	3	
9	08140-62010	•BEARING	1	1	1	
10	31791-66010	•SPACER, pulley	1	1	1	
11	08120-62020	•BEARING	1	1	1	
12	31600-65840	•BRUSH HOLDER SET	1	1	1	
13	31621-65011	•RECTIFIER ASSY	1	1	1	
14	31710-70010	•ROTOR ASSY	1	1	1	
15	17911-73000	BRACKET, generator	1	1	1	
16	01517-08308	BOLT	2	2	2	
17	17921-73000	ARM, generator	1	1	1	
18	01517-08208	BOLT	2	2	2	
19	01107-08208	BOLT	1	1	1	
20	08321-21088	LOCK WASHER	1	1	1	
21	09160-08030	WASHER	1	1	1	8.2x22x3.2

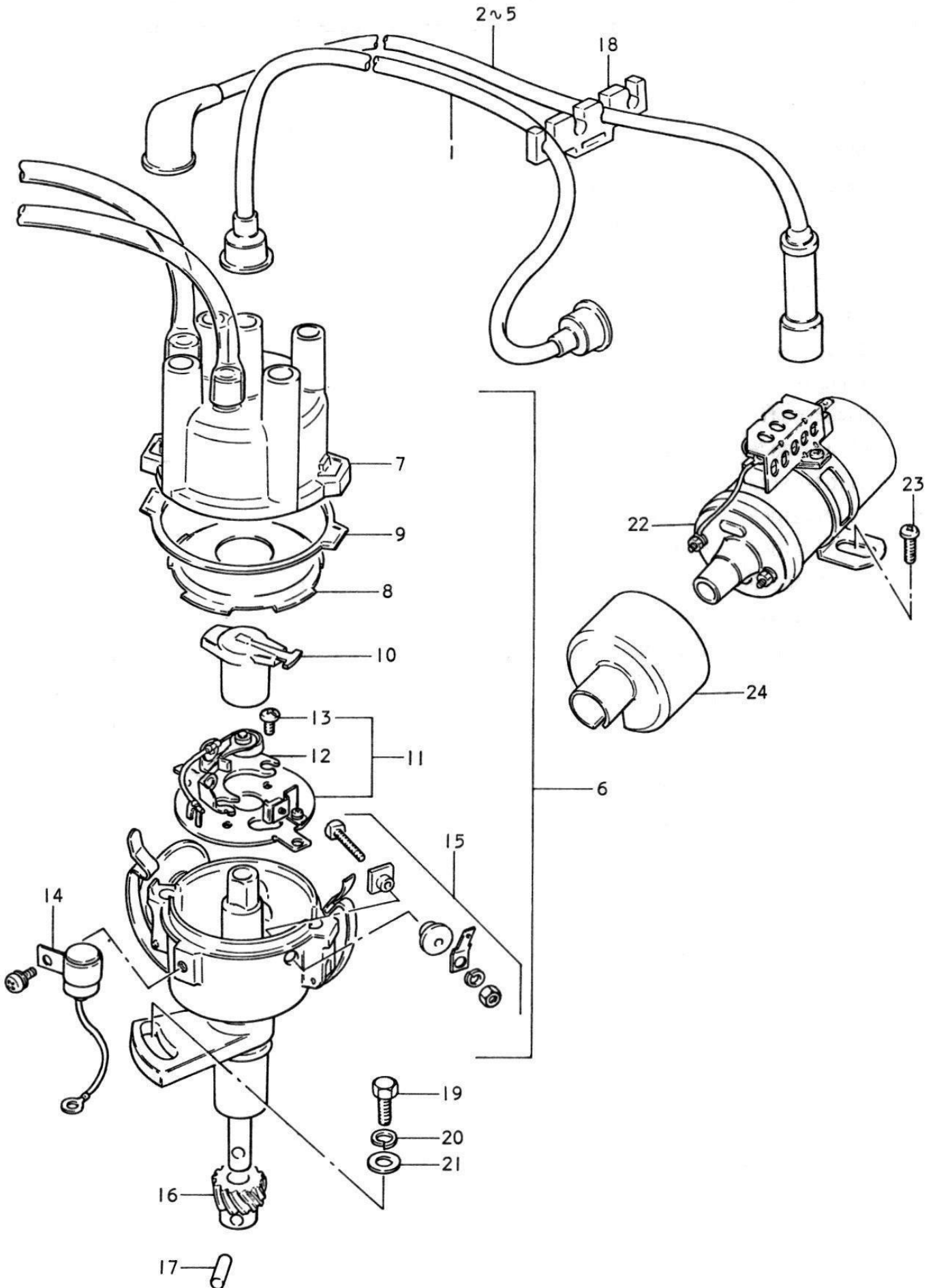
FIG.33 BATTERY - REGULATOR





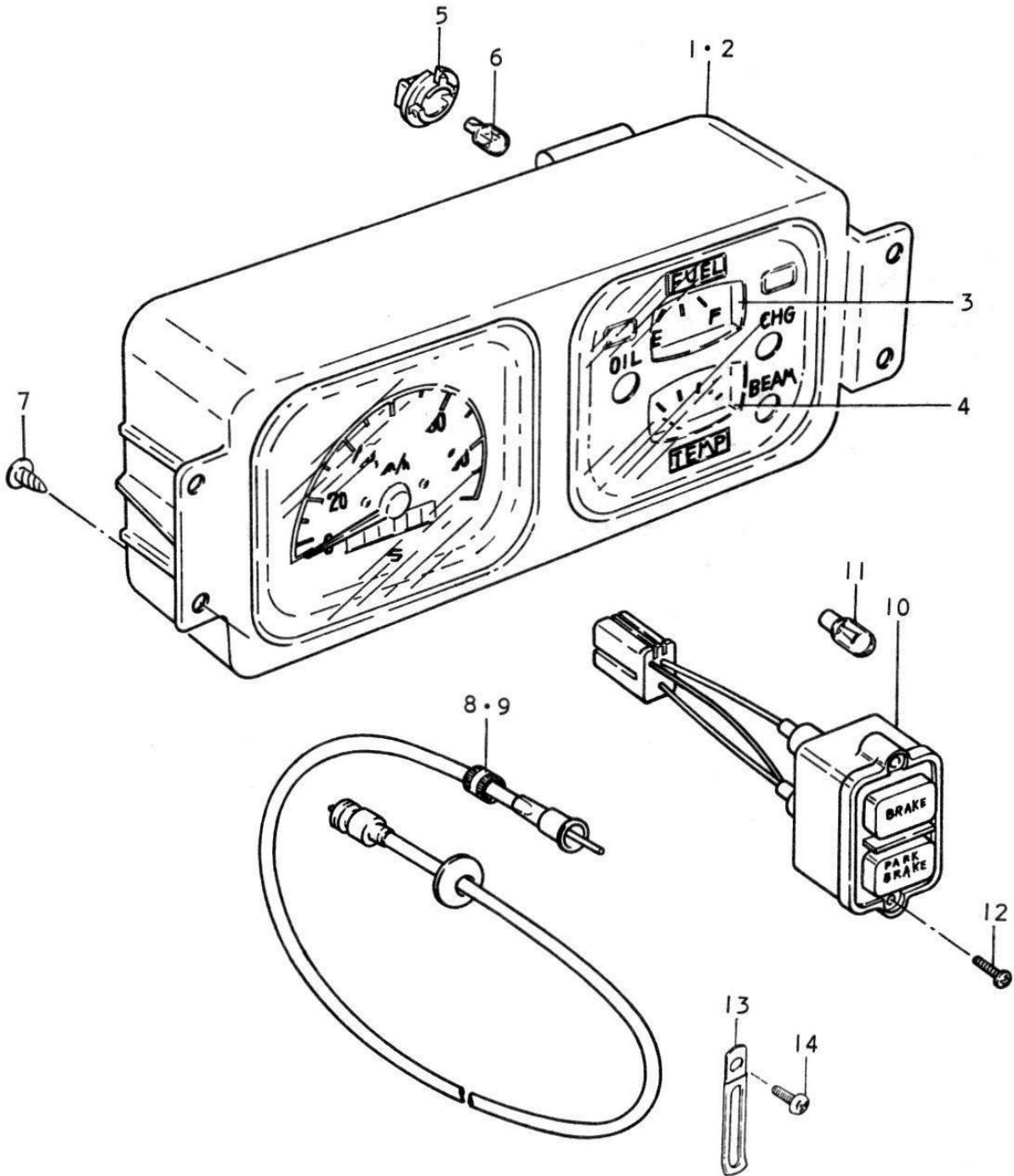
Ref.No.	Part No.	Description	Q'ty			Remarks
			O	V	K	
1	33610-73010	BATTERY ASSY	1	1	1	12V, 35AH
2	63461-73000	ANGLE, battery	1	1	1	
3	72729-64000	BOLT, battery	2	2	2	
4	08310-11058	NUT	2	2	2	
5	08322-21058	WASHER	2	2	2	
6	09321-05004	CUSHION	2	2	2	
7	79841-61000	CAP, battery insulator	1	1	1	
8	63450-73021	INSULATOR, battery	1	1	1	
9	33850-73000	CABLE, ground	1	1	1	L:510
10	33810-73000	CABLE, starting motor	1	1	1	L:650
11	33660-67000	TRAY, battery	1	1	1	
12	09404-06415	CLAMP	1	1	1	
13	63441-73000	BRACKET, battery	1	1	1	
14	01107-06128	BOLT	2	2	2	
15	08321-21068	LOCK WASHER	2	2	2	
16	08322-21068	WASHER	2	2	2	
17	32500-56010	REGULATOR ASSY, voltage	1	1	1	
18	09128-06004	SCREW	2	2	2	
19	36740-70020	FUSIBLE LINK ASSY	1	1	1	

FIG.34 IGNITION



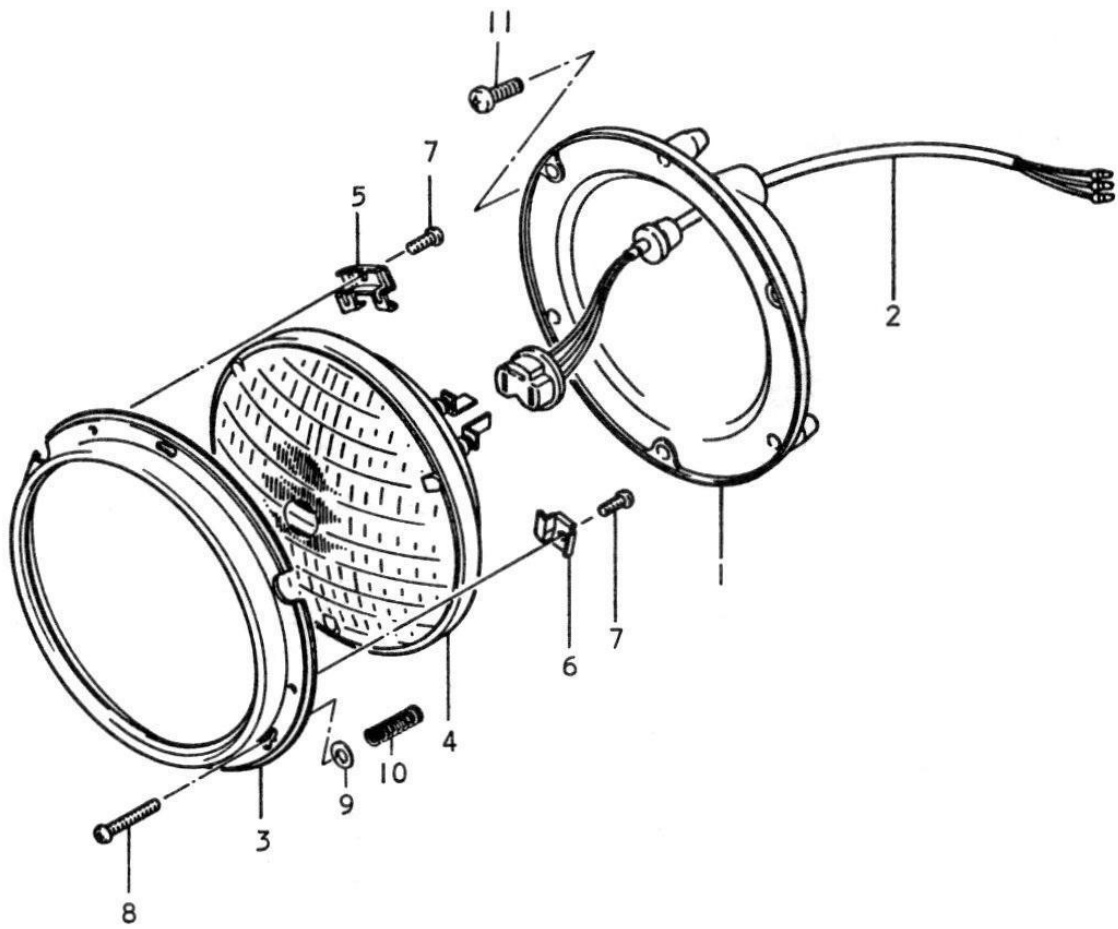
Ref.No.	Part No.	Description	Q'ty			Remarks
			O	V	K	
1	33710-73010	CORD, high tension (1)	1	1	1	L:200
2	33730-73010	CORD, high tension (2)	1	1	1	L:420
3	33740-73010	CORD, high tension (3)	1	1	1	L:320
4	33750-73010	CORD, high tension (4)	1	1	1	L:290
5	33760-73010	CORD, high tension (5)	1	1	1	L:220
6-1	33100-73010	DISTRIBUTOR ASSY	1	1	1	
6-2	33100-73090	DISTRIBUTOR ASSY	1	1	1	E24, E49
7	33321-73010	.CAP, distributor	1	1	1	
8	33279-73010	.COVER, dust proof	1	1	1	
9	33324-73010	.PACKING	1	1	1	
10	33310-73010	.ROTOR, distrigutor	1	1	1	
11	33102-73010	.BREAKER ASSY	1	1	1	
12	33140-74010	..POINT ASSY	1	1	1	
13	33151-52011	..SCREW	2	2	2	
14	33261-73010	.CONDENSER	1	1	1	
15	33210-73010	.TERMINAL ASSY, distributor	1	1	1	
16	33267-73010	.GEAR, distributor	1	1	1	
17	33268-69110	.PIN	1	1	1	
18	33883-63200	CLAMP, high tension cord	1	1	1	
19	01107-08308	BOLT	1	1	1	
20	08321-21088	LOCK WASHER	1	1	1	
21	09160-08030	WASHER	1	1	1	
22-1	33410-58012	COIL ASSY, ignition	1	1	1	
22-2	33410-73010	COIL ASSY, ignition	1	1	-	E2, E19, E25
23	02142-06127	SCREW	2	2	2	
24	33471-77010	CAP, ignition coil	1	1	-	E2, E19, E25

FIG.35 SPEEDOMETER



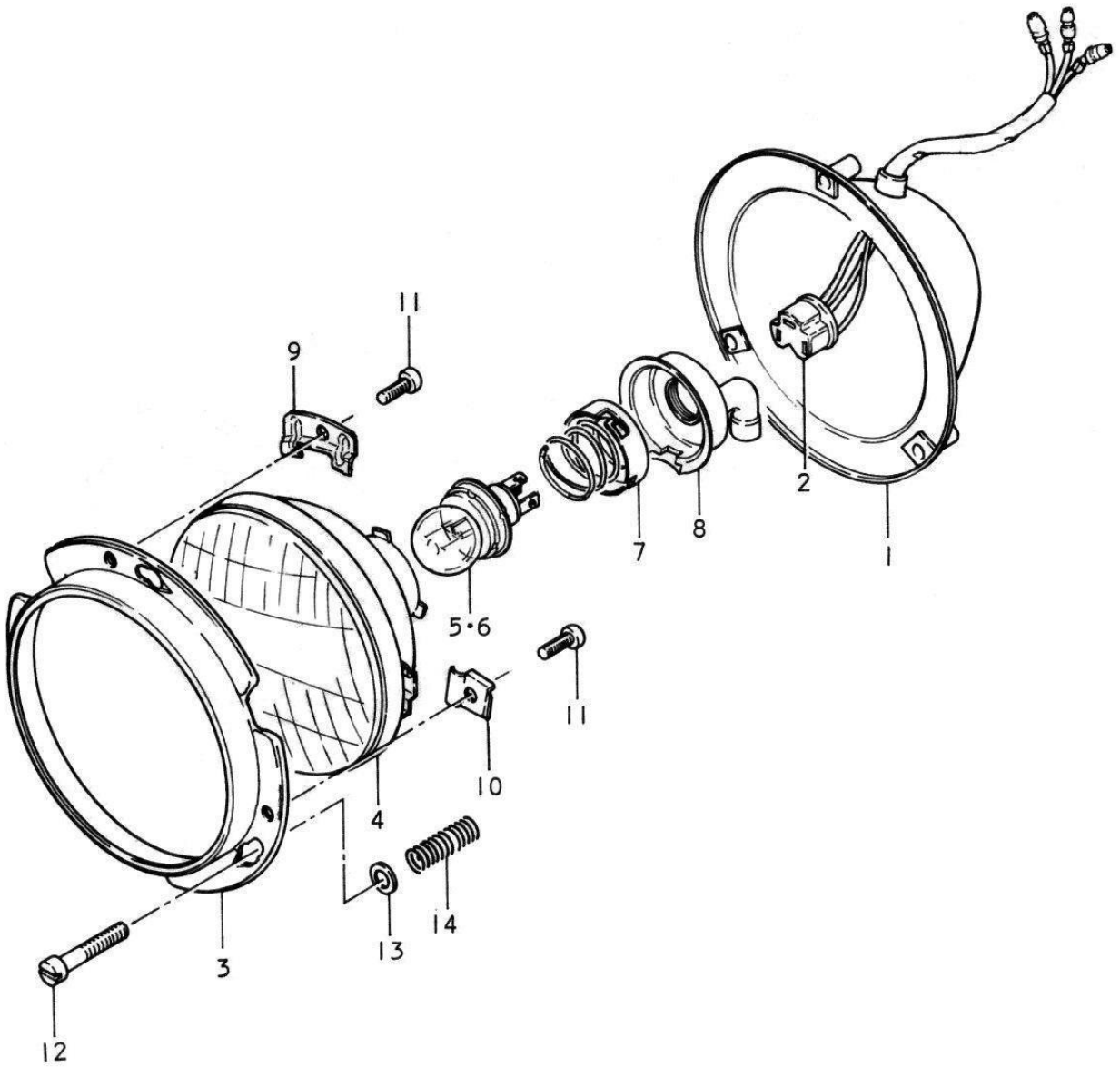
Ref.No.	Part No.	Description	Q'ty			Remarks
			O	V	K	
1	34100-73040	SPEEDOMETER ASSY	1	1	1	scale:Mile
2	34100-73022	SPEEDOMETER ASSY	1	1	1	scale:Kilometor
3	34320-65010	•BODY ASSY, fuel meter	1	1	1	
4	34420-65010	•BODY ASSY, temp meter	1	1	1	
5	34173-60010	•SOCKET, speedometer bulb	6	6	6	
6	09471-12028	•BULB	6	6	6	12V, 3.4W
7	03141-04108	SCREW	4	4	4	
8	34910-63031	CABLE ASSY, speedometer	1	1	1	RHD
9	34910-63610	CABLE ASSY, speedometer	1	1	1	LHD
10	36370-73000	LAMP, brake pilot	1	1	1	} E2, E19, E24, E25, E49
11	09471-12028	•BULB (12V, 3.4W)	2	2	2	
12	03132-04169	SCREW	2	2	2	

FIG.36 HEADLAMP



Ref.No.	Part No.	Description	Q'ty			Remarks
			O	V	K	
1	35141-51031	HOUSING ASSY, headlamp	2	2	2	
2	35170-51030	SOCKET ASSY, headlamp	2	2	2	
3	35131-51032	RIM, headlamp	2	2	2	
4-1	35121-51032	SEAILED BEAM UNIT	2	2	2	RHD
4-2	35121-61530	SEAILED BEAM UNIT	2	2	2	LHD
5	35132-72600	PLATE, retainer (1)	2	2	2	
6	35136-51030	PLATE, retainer (2)	4	4	4	
7	02112-04088	SCREW	6	6	6	
8	35151-51031	SCREW, adjust	6	6	6	
9	08322-21048	WASHER	6	6	6	
10	35154-51030	SPRING, adjuster	6	6	6	
11	02112-05128	SCREW	6	6	6	

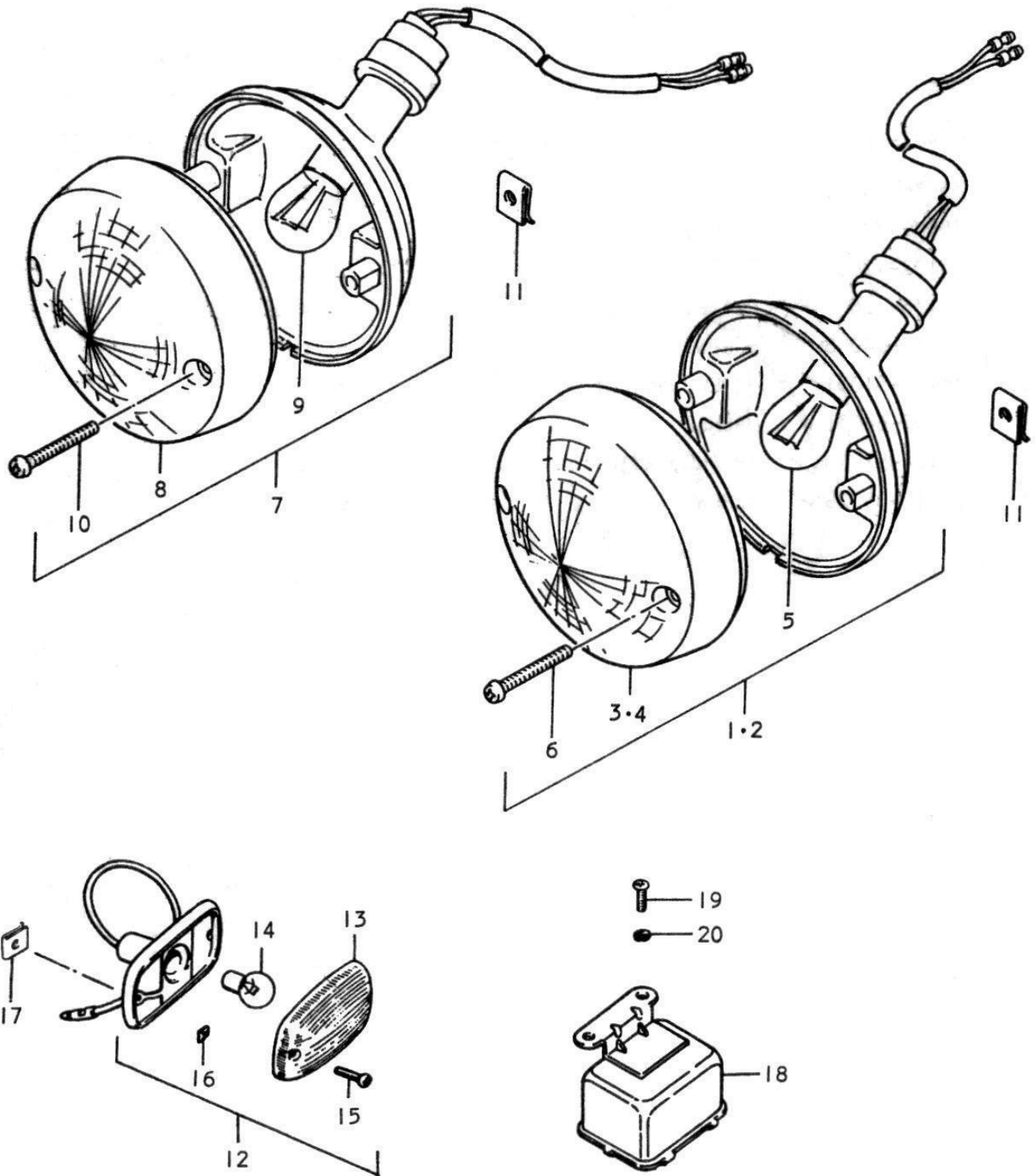
FIG. 37 HEADLAMP (for E2,E19,E25,E44)





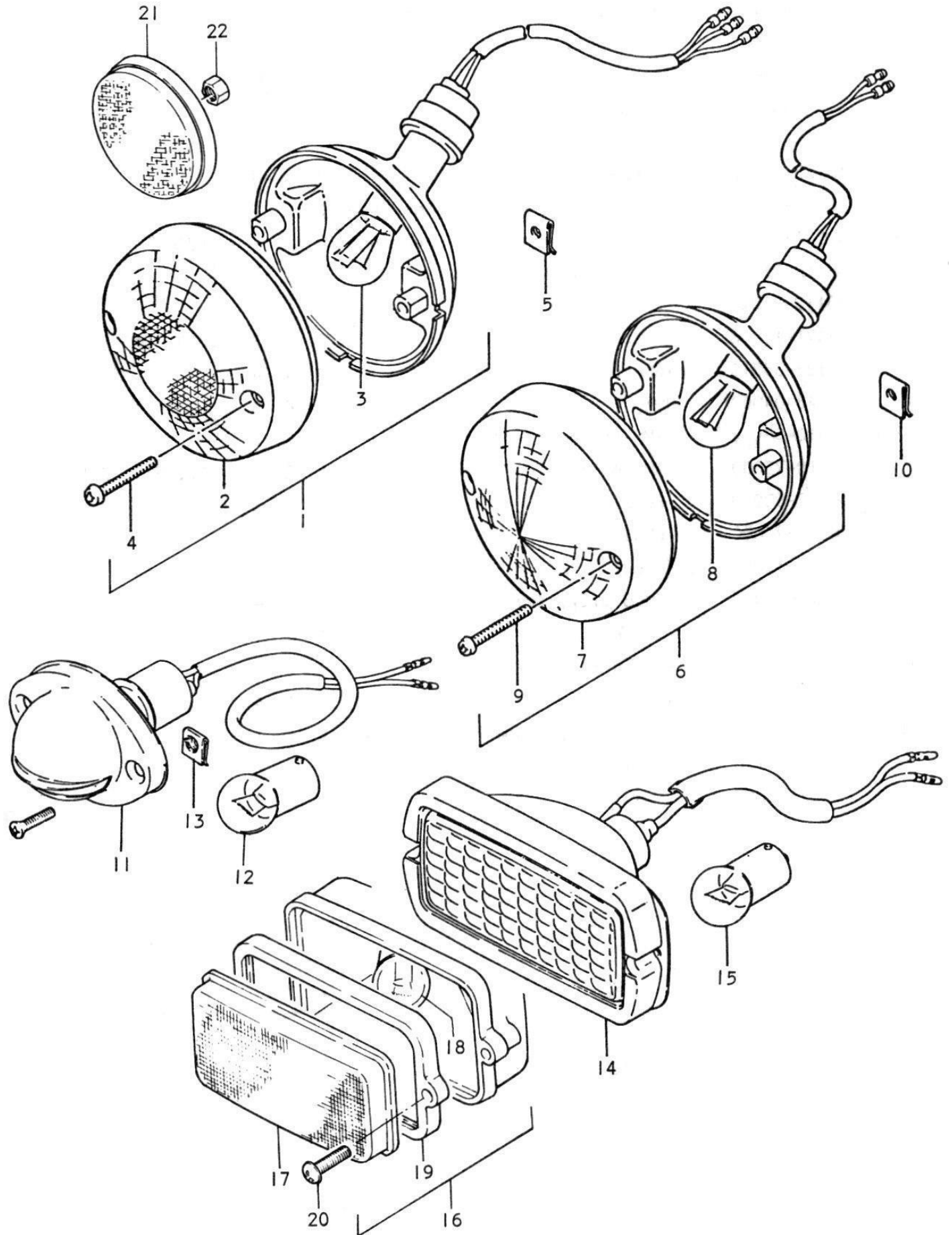
Ref.No.	Part No.	Description	Q'ty		Remarks
			O	V	
1	35141-51031	HOUSING ASSY, headlamp	2	2	
2	35170-51030	SOCKET ASSY, headlamp	2	2	
3	35131-51032	RIM, headlamp	2	2	
4-1	35121-73040	HEADLAMP UNIT	2	2	E2
4-2	35121-72600	HEADLAMP UNIT	2	2	E19, E25, E44
5	09471-12049	BULB (PHILIPS No.12620/86) 12V, 45/40W	2	2	E44
6	09471-12048	BULB (PHILIPS No.12620) 12V, 45/40W	2	2	E2, E19, E25
7	35136-34670	HOLDER, bulb	2	2	
8	35179-72600	COVER, bulb	2	2	
9	35132-72600	PLATE, retainer (1)	2	2	
10	35136-72600	PLATE, retainer (2)	4	4	
11	02112-04088	SCREW	6	6	
12	35151-51031	SCREW, adjust	6	6	
13	35157-64031	WASHER	6	6	
14	35154-51030	SPRING, adjuster	6	6	
15	02112-05128	SCREW	6	6	

FIG.38 FRONT LAMP



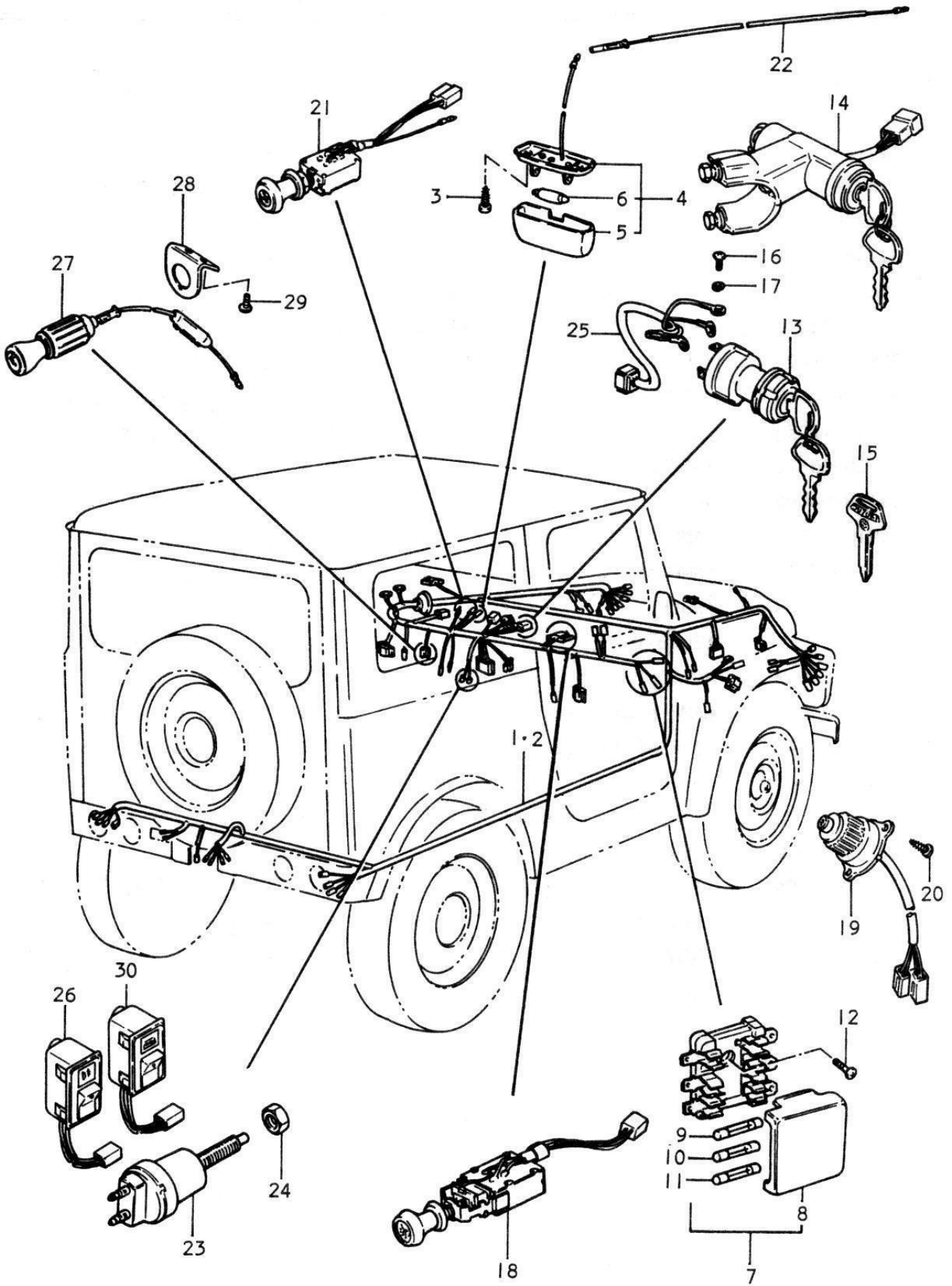
Ref.No.	Part No.	Description	Q'ty			Remarks
			O	V	K	
1	35601-63212	LAMP ASSY, front turn signal	2	2	2	
2	35601-73010	LAMP ASSY, front turn signal	2	2	2	E2, E19, E24, E25, E49
3	35612-28620	.LENS	2	2	2	
4	35612-63641	.LENS	2	2	2	
5	09471-12056	.BULB	2	2	2	12V, 21W
6	36125-35010	.SCREW	4	4	4	
7-1	36101-73010	LAMP ASSY, parking & clearance	2	2	2	
7-2	36101-73020	LAMP ASSY, parking & clearance	2	2	-	E35
8-1	36112-73010	.LENS (clear)	2	2	2	
8-2	36112-73020	.LENS (amber)	2	2	-	
9	09471-12058	.BULB	2	2	2	12V, 5W
10	36125-35010	.SCREW	4	4	4	
11	09148-04009	NUT	8	8	8	
12-1	36410-58012	LAMP ASSY, side turn signal	2	2	2	
12-2	36410-73000	LAMP ASSY, side turn signal	2	2	-	E2, E19, E25
13-1	36412-60010	.LENS	2	2	2	
13-2	36412-73000	.LENS	2	2	-	
14-1	09471-12007	.BULB	2	2	2	12V, 6W
14-2	09471-12032	.BULB (12V, 4W)	2	2	-	
15	36425-60010	.SCREW	4	4	4	
16	36421-60011	.EARTH NUT	2	2	2	
17	09148-04011	NUT	4	4	4	
18	38610-75000	RELAY ASSY, signal & four way	1	1	1	
19	03211-05128	SCREW	2	2	2	
20	08322-21058	WASHER	2	2	2	

FIG. 39 REAR LAMP



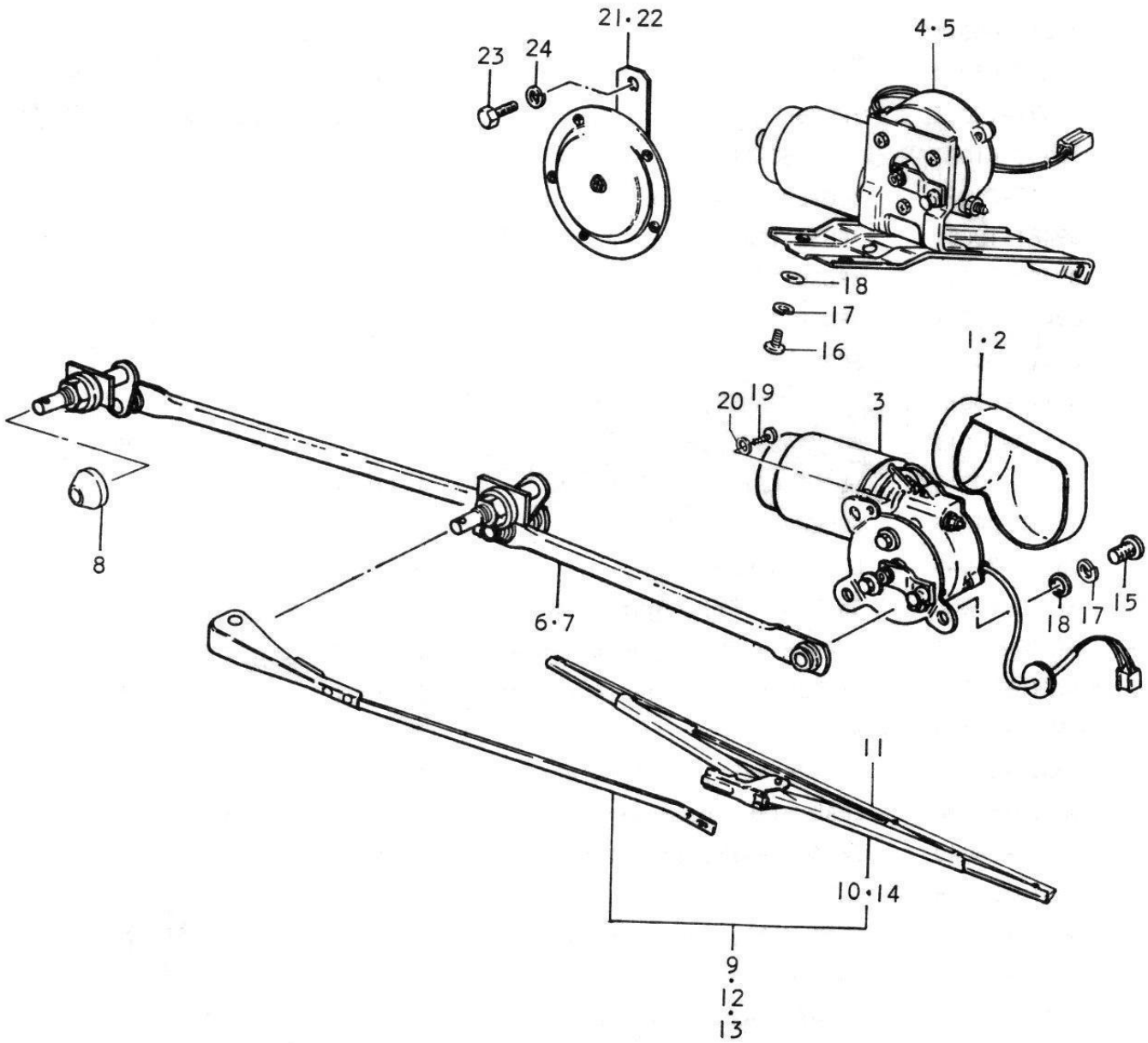
Ref.No.	Part No.	Description	Q'ty			Remarks
			O	V	K	
1-1	35701-63922	LAMP ASSY, rear combination	2	2	2	
1-2	35701-73010	LAMP ASSY, rear combination	2	2	-	E2, E19, E25
2-1	35712-67011	•LENS	2	2	2	
2-2	35712-73010	•LENS	2	2	-	
3	09471-12057	•BULB	2	2	2	12V, 21/5W
4	36125-35010	•SCREW	4	4	4	
5	09148-04009	NUT	4	4	4	
6-1	35603-63922	LAMP ASSY, rear turn signal	2	2	2	
6-2	35603-73010	LAMP ASSY, rear turn signal	2	2	2	E2, E19, E24, E25, E49
7-1	35612-28620	•LENS	2	2	2	
7-2	35652-73010	•LENS	2	2	2	E2, E19, E24, E25, E49
8	09471-12056	•BULB	2	2	2	12V, 21W
9	36125-35010	•SCREW	4	4	4	
10	09148-04009	NUT	4	4	4	
11-1	35910-61011	LAMP ASSY, licence	2	2	2	
11-2	35910-77000	LAMP ASSY, licence	2	2	-	E2, E19, E25
12-1	09471-12003	•BULB	2	2	2	12V, 10W
12-2	09471-12066	•BULB (12V, 10W)	2	2	-	E2, E19, E25
13	09148-04009	NUT	4	4	4	
14-1	36250-66021	LAMP ASSY, back up	1	1	1	
14-2	36250-63642	LAMP ASSY, back up	1	1	1	E24, E49
15	09471-12003	•BULB	1	1	1	12V, 10W
16	36250-77000	LAMP ASSY, back up	1	1	-	E2, E19, E25
17	36252-77000	•LENS	1	1	-	
18	09471-12064	•BULB (12V, 21W)	1	1	-	
19	36253-77000	•GASKET	1	1	-	
20	03242-04209	•SCREW	2	2	-	

FIG.40 WIRING HARNESS - SWITCH



Ref.No.	Part No.	Description	Q'ty			Remarks
			O	V	K	
1-1	36610-73300	WIRING HARNESS (1)	1	1	-	RHD
1-2	36610-73310	WIRING HARNESS (1)	1	1	-	LHD
2-1	36610-73400	WIRING HARNESS (1)	-	-	1	} deck fix (K) RHD deck not used (P)
2-2	36610-73500	WIRING HARNESS (1)	-	-	1	
2-3	36610-73420	WIRING HARNESS (1)	-	-	1	} deck fix (K) LHD deck not used (P)
2-4	36610-73510	WIRING HARNESS (1)	-	-	1	
3	03111-04108	SCREW	2	2	2	
4	36210-63011	LAMP ASSY, room	1	1	1	
5	36212-63011	•LENS	1	1	1	
6	09471-12005	•BULB	1	1	1	12V, 5W
7	36710-61023	FUSE BOX ASSY	1	1	1	
8	36717-61021	•COVER, fuse box	1	1	1	
9	09481-10001	•FUSE 10A	1	1	1	
10	09481-15001	•FUSE 15A	1	1	1	
11	09481-20001	•FUSE 20A	1	1	1	
12	03111-05168	SCREW	1	1	1	
13	37110-63010	SWITCH ASSY, ignition	1	1	1	
14	37100-70011	LOCK ASSY, steering	1	1	-	E2, E19, E25
15	37145-70010	BLANK KEY	1	1	1	OPT
16	02112-04088	SCREW	3	3	3	
17	08321-21048	LOCK WASHER	3	3	3	
18	37210-75000	SWITCH ASSY, lighting	1	1	1	
19-1	37310-72011	SWITCH ASSY, wiper & washer	1	1	1	
19-2	37310-71311	SWITCH ASSY, wiper & washer	1	1	1	E2, E19, E25
20	03211-05128	SCREW	3	3	3	
21	37870-63010	SWITCH ASSY, heater fan	1	1	1	
22	36820-66000	LEAD WIRE, room lamp	-	1	1	L:1800
23	37740-66040	SWITCH ASSY, stop lamp	1	1	1	
24	08310-22108	NUT	1	1	1	
25	36870-67000	LEAD WIRE, ignition switch	1	1	1	
26	37270-75110	SWITCH ASSY, rear fog	1	1	-	E2, E19, E25
27	39400-73000	LIGHTER ASSY, cigarette	1	1	1	} OPT, (E10:STD)
28	62422-73000	BRACKET, lighter	1	1	1	
29	02142-06127	SCREW	2	2	2	
30	37860-75001	SWITCH ASSY, deforger	1	1	-	E2, E19, E25

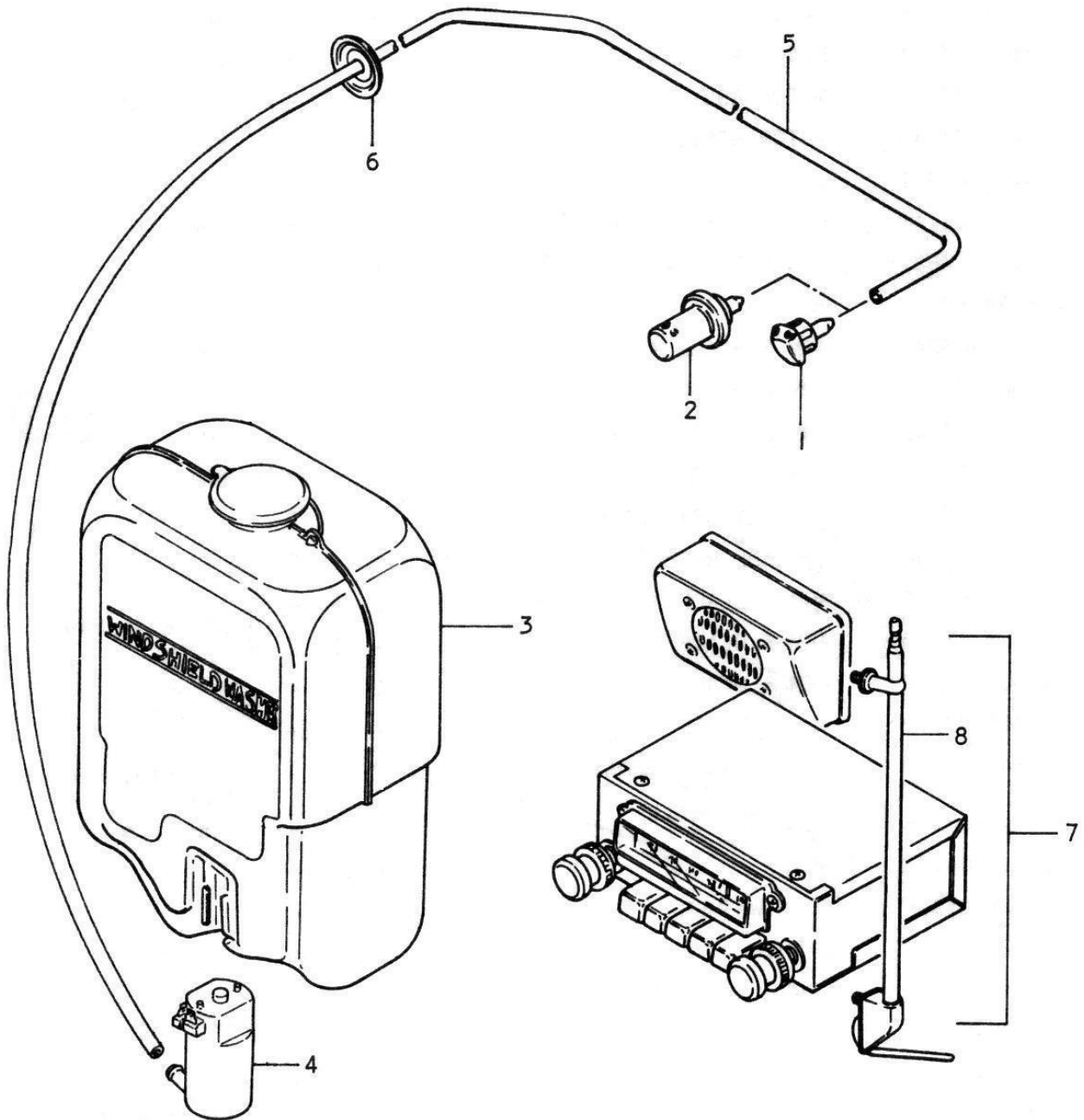
FIG.41 WIPER - HORN





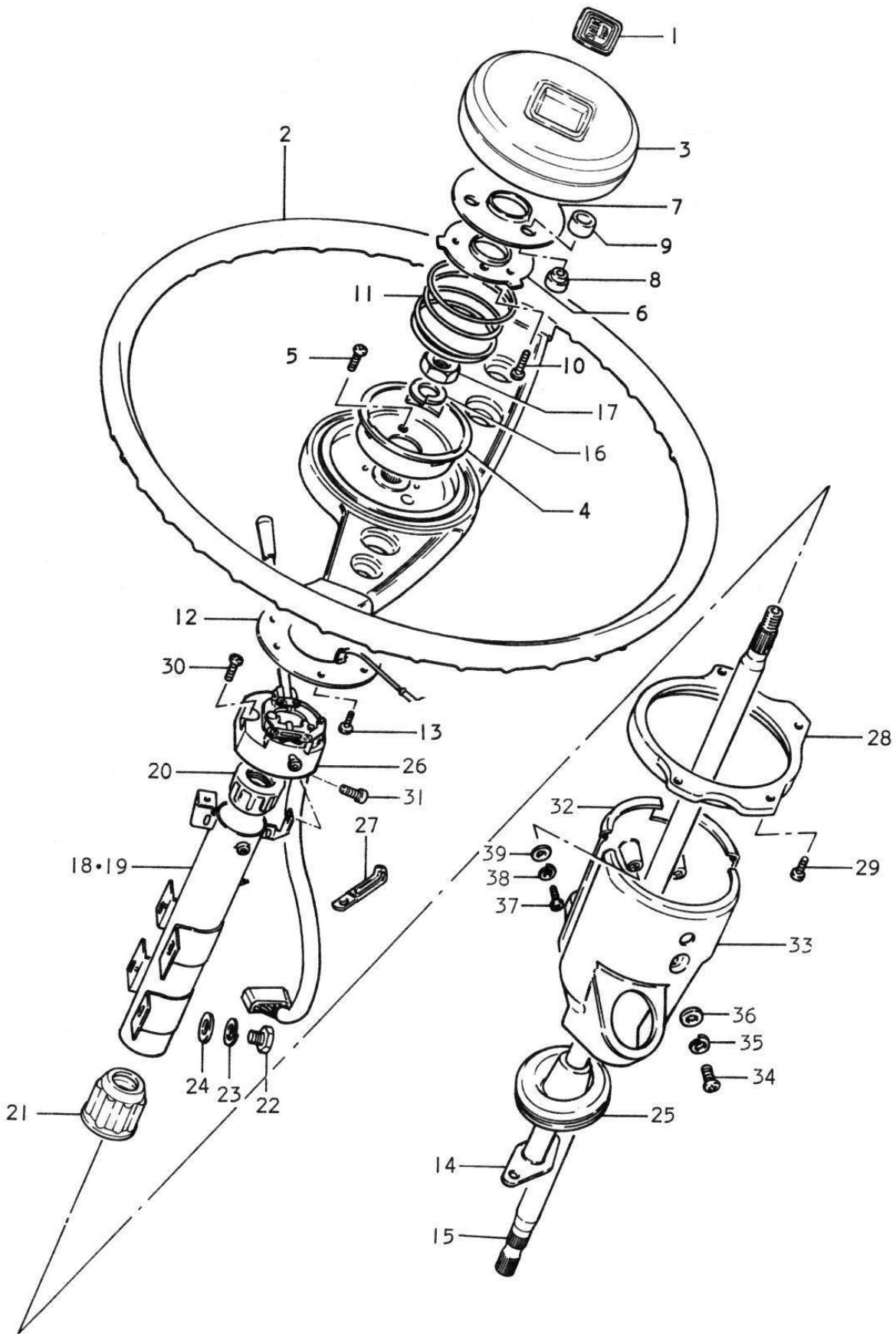
Ref.No.	Part No.	Description	Q'ty			Remarks
			O	V	K	
1	38280-63000	COVER, wiper motor	1	-	-	FHD
2	38281-73000	COVER, wiper motor	1	-	-	LHD
3-1	38101-63011	MOTOR ASSY, wiper	1	-	-	RHD
3-2	38101-73020	MOTOR ASSY, wiper	1	-	-	LHD
3-3	38101-73000	MOTOR ASSY, wiper	1	-	-	E19, E25
3-4	38101-73030	MOTOR ASSY, wiper	1	-	-	E2
4-1	38101-63111	MOTOR ASSY, wiper	-	1	1	RHD
4-2	38101-63631	MOTOR ASSY, wiper	-	1	1	LHD
5-1	38101-73010	MOTOR ASSY, wiper	-	1	-	E19, E25
5-2	38101-73040	MOTOR ASSY, wiper	-	1	-	E2
6	38102-63011	LINK ASSY, wiper	1	-	-	
7-1	38102-63111	LINK ASSY, wiper	-	1	1	RHD
7-2	38102-63631	LINK ASSY, wiper	-	1	1	LHD
8	38274-67011	•CAP	2	2	2	
9-1	38301-63040	ARM & BLADE ASSY	2	-	-	RHD
9-2	38301-73020	ARM & BLADE ASSY	2	-	-	LHD
9-3	38301-63140	ARM & BLADE ASSY	-	2	2	RHD
9-4	38301-63630	ARM & BLADE ASSY	-	2	2	LHD
10	38340-67700	•BLADE ASSY, wiper	2	2	2	
11	38341-58040	••BLADE RUBBER	2	2	2	
12-1	38301-63600	ARM & BLADE ASSY	2	-	-	} E2, E24, E49
12-2	38301-63610	ARM & BLADE ASSY	-	2	2	
13-1	38301-73000	ARM & BLADE ASSY	2	-	-	} E19, E25
13-2	38301-73010	ARM & BLADE ASSY	-	2	-	
14	38340-63640	•BLADE ASSY, wiper	2	2	2	E2, E19, E24, E25, E49
15	02112-06108	SCREW	3	-	-	LHD:2pcs
16	02112-06128	SCREW	-	4	4	
17	08321-21068	LOCK WASHER	3	4	4	
18	08322-21068	WASHER	3	4	4	
19	03111-05128	SCREW (earth)	1	-	-	} LHD
20	08322-21058	WASHER	1	-	-	
21	38500-64110	HORN ASSY	1	1	1	
22	38500-77000	HORN ASSY	1	1	-	E2, E19, E25
23	01107-08128	BOLT	1	1	1	
24	08321-21088	LOCK WASHER	1	1	1	

FIG.42 WINDOW SHIELD WASHER



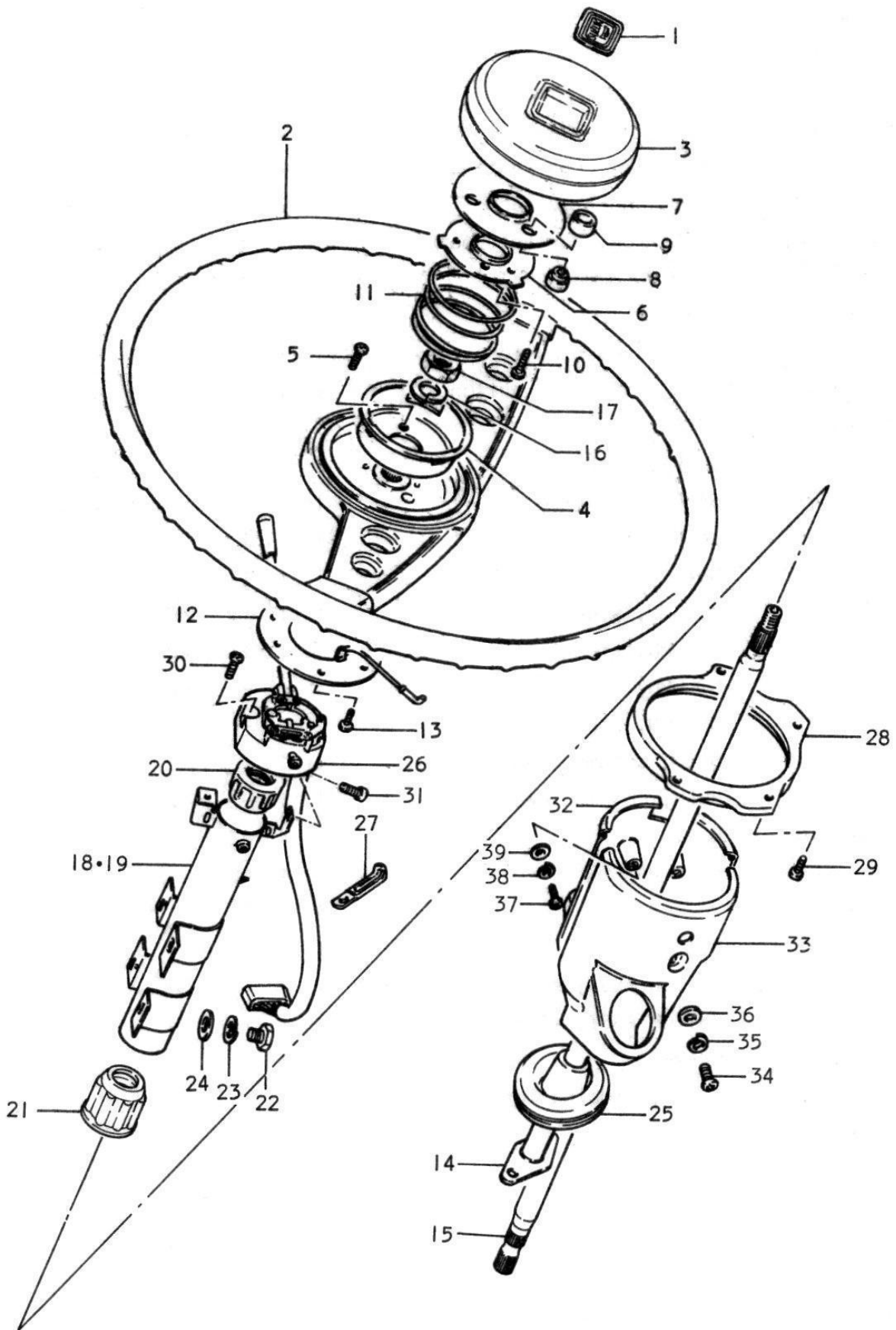
Ref.No.	Part No.	Description	Q'ty			Remarks
			O	V	K	
1	38480-75001	NOZZLE ASSY, window shield	1	-	-	
2	38480-67011	NOZZLE ASSY, window shield	-	1	1	
3	38450-73000	TANK ASSY, window shield	1	1	1	
4	38410-66112	MOTOR ASSY, window shield	1	1	1	
5	38491-75000	HOSE	1	1	1	L:1200 → 1000
6	09308-05002	GROMMET	1	1	1	
7	39100-63003	RADIO ASSY	1	1	1	
8	39250-63000	•ANTEINNA	1	1	1	

FIG.43 STEERIG UNIT



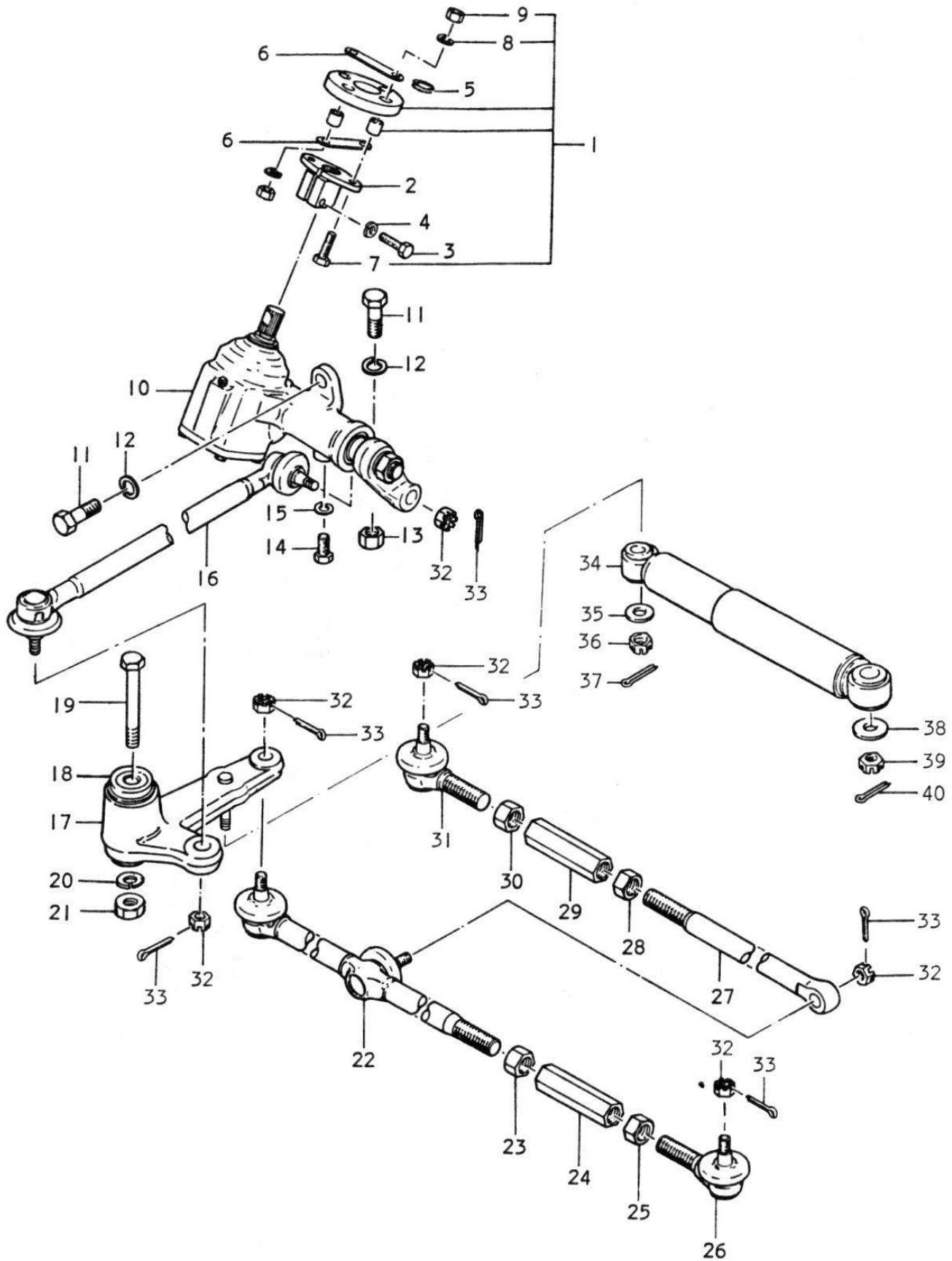
Ref.No.	Part No.	Description	Q'ty			Remarks
			O	V	K	
1	48131-74001	EMBLEM, horn button	1	1	1	
2	48111-73032	WHEEL, steering	1	1	1	
3	48120-75001	HORN BUTTON	1	1	1	
4	48141-60030	CUP, horn contact	1	1	1	
5	02112-03068	SCREW	2	2	2	
6	48142-60000	SET PLATE, horn button	1	1	1	
7	48143-60000	PLATE, horn contact	1	1	1	
8	48144-60000	INSULATOR, contact plate	3	3	3	
9	48145-60000	CUSHION RUBBER	3	3	3	
10	09131-03004	SCREW	3	3	3	
11	48151-70001	SPRING, horn button	1	1	1	
12	48152-60031	SLIP RING, horn button	1	1	1	
13	09131-03005	SCREW	3	3	3	
14	48210-73000	SHAFT, steering	1	1	1	
15	48210-73010	SHAFT, steering	1	1	-	E2, E19, E25
16	09162-12004	LOCK WASHER	1	1	1	
17	08310-22128	NUT	1	1	1	
18-1	48310-73001	COLUMN, steering	1	1	1	RHD
18-2	48310-73021	COLUMN, steering	1	1	1	LHD
19-1	48310-73031	COLUMN, steering	1	1	-	E2
19-2	48310-73011	COLUMN, steering	1	1	-	E19, E25
20	48381-51040	BUSH, column	1	1	1	
21	48382-66040	BUSH, column lower	1	1	-	E2, E19, E25
22	01107-06168	BOLT	4	4	4	
23	08321-21068	LOCK WASHER	4	4	4	
24	08322-21068	WASHER	4	4	4	
25	48491-63000	SEAL RUBBER	1	1	1	
26-1	37400-75111	SWITCH ASSY, signal & dimmer	1	1	1	RHD
26-2	37400-73000	SWITCH ASSY, signal & dimmer	1	1	1	LHD
27	09404-06415	CLAMP	1	1	1	
28	37497-73000	COVER, combination switch	1	-	-	
29	03141-04128	SCREW	4	-	-	
30	09132-04013	SCREW	1	1	1	
31	03141-04088	SCREW	1	1	1	
32-1	48410-70081	COVER, steering RH	1	1	1	RHD
32-2	48410-75120	COVER, steering RH	1	1	1	LHD
33-1	48420-70081	COVER, steering LH	1	1	1	RHD
33-2	48420-75120	COVER, steering LH	1	1	1	LHD

FIG.43 STEERIG UNIT



Ref.No.	Part No.	Description	Q'ty			Remarks
			O	V	K	
34	02112-05128	SCREW	1	1	1	
35	08321-21058	LOCK WASHER	1	1	1	
36	08322-21058	WASHER	1	1	1	
37	02112-04128	SCREW	2	2	2	
38	08321-21048	LOCK WASHER	2	2	2	
39	08322-21048	WASHER	2	2	2	

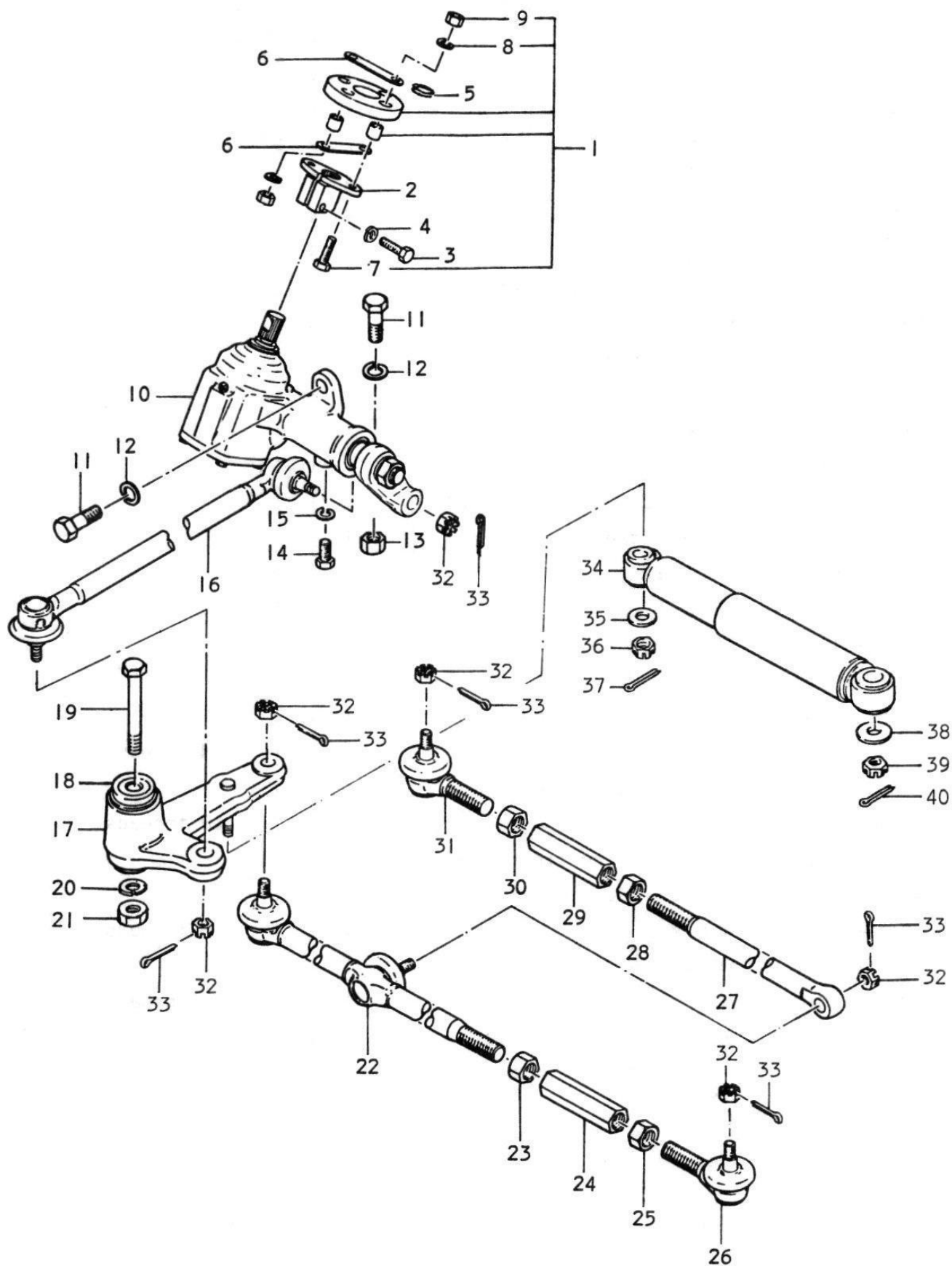
FIG.44 STEERING LINK (for RHD)





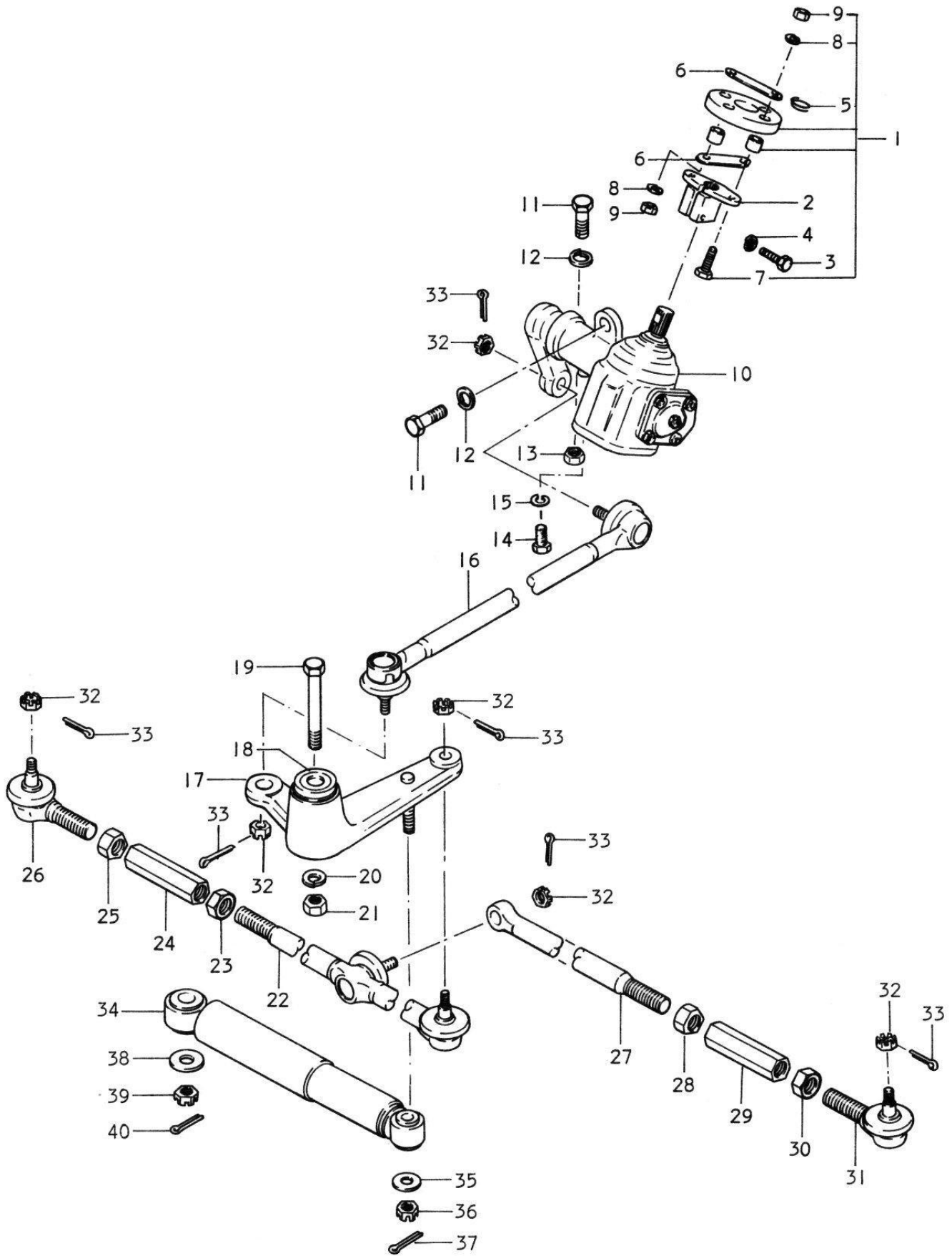
Ref.No.	Part No.	Description	Q'ty			Remarks
			O	V	K	
1	48250-70810	STEERING JOINT SET	1	1	1	
2	48270-52000	FLANGE, rubber joint	1	1	1	} E2: 2pcs
3	01107-08308	BOLT	1	1	1	
4	08321-21088	LOCK WASHER	1	1	1	
5	09440-18002	SPRING, horn earth	1	1	1	
6	48262-58000	PLATE, rubber joint	2	2	2	
7	01107-08258	BOLT	4	4	4	
8	08321-31088	LOCK WASHER	4	4	4	
9	08310-12088	NUT	4	4	4	
10	48600-63240	GEAR BOX ASSY, steering	1	1	1	
11	09111-12001	BOLT	3	3	3	
12	08321-31128	LOCK WASHER	3	3	3	
13	08310-22128	NUT	1	1	1	
14	01107-10208	BOLT	1	1	1	
15	08321-31108	LOCK WASHER	1	1	1	
16	48900-63201	DRUG ROD ASSY, steering	1	1	1	
17	48700-63200	LEVER, steering center	1	1	1	
18	09283-26011	.OIL SEAL	2	2	2	
19	09100-12018	BOLT	1	1	1	
20	08321-31128	LOCK WASHER	1	1	1	
21	08319-21128	NUT	1	1	1	
22	48850-73000	TIE ROD, steering	1	1	1	
23	09140-16010	NUT	1	1	1	RH threads
24	48836-63001	CONNECTOR, tie rod end	1	1	1	
25	09140-16011	NUT	1	1	1	LH threads
26	48820-63002	END, steering tie rod LH	1	1	1	
27	48831-73000	TIE ROD STEERING RH	1	1	1	
28	09140-16011	NUT	1	1	1	LH threads
29	48836-63001	CONNECTOR, tie rod end	1	1	1	
30	09140-16010	NUT	1	1	1	RH threads
31	48810-63002	END, steering tie rod RH	1	1	1	

FIG.44 STEERING LINK (for RHD)



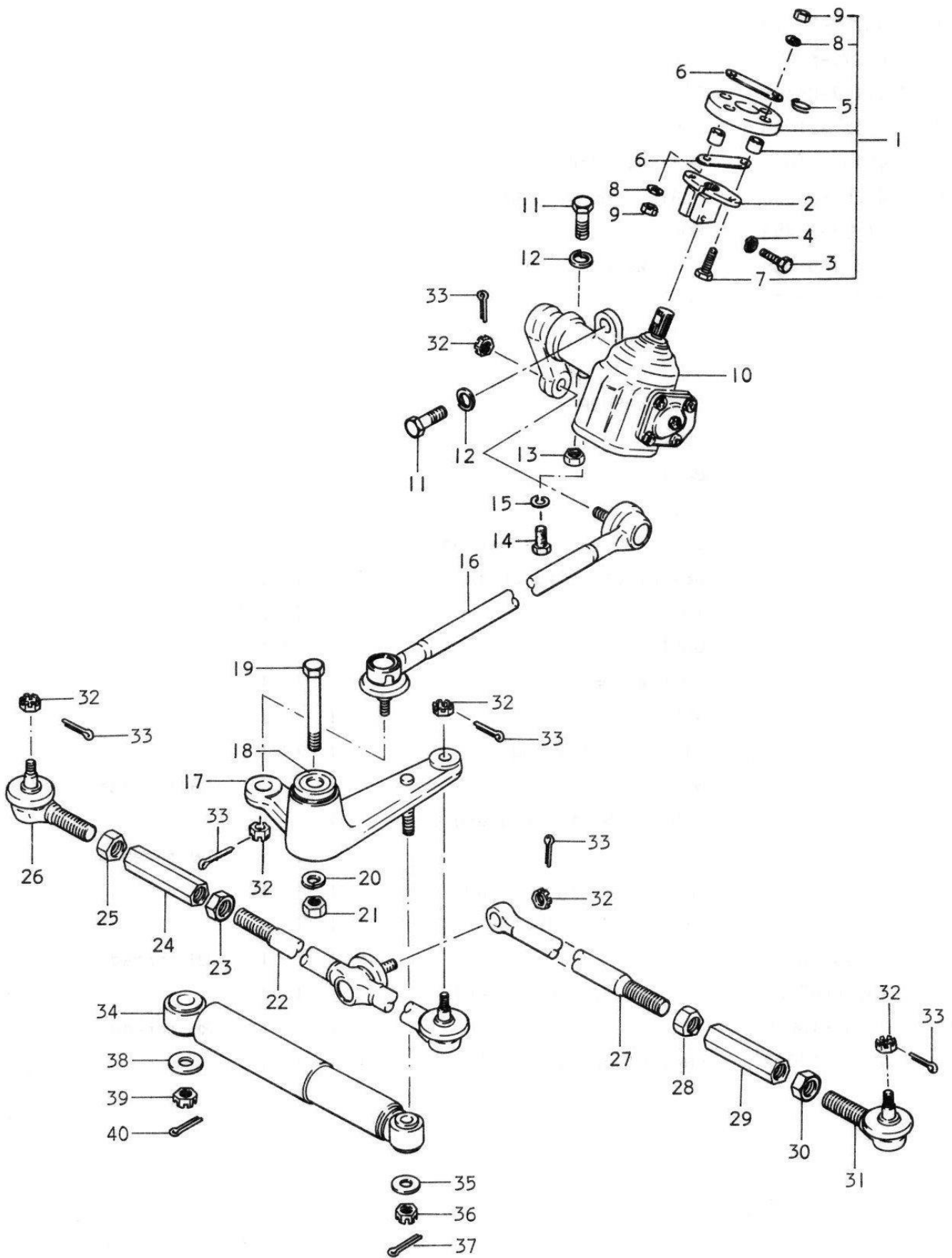
Ref.No.	Part No.	Description	Q'ty			Remarks
			O	V	K	
32	08314-41108	NUT	6	6	6	
33	04111-25208	COTTER PIN	6	6	6	
34	48730-63241	DAMPER ASSY, steering	1	1	1	
35	08322-21128	WASHER	2	2	2	
36	09141-12001	NUT	1	1	1	
37	04111-30308	COTTER PIN	1	1	1	
38	09160-10028	WASHER	1	1	1	
39	08314-41108	NUT	1	1	1	
40	04111-25208	COTTER PIN	1	1	1	

FIG.45 STEERING LINK (for LHD)



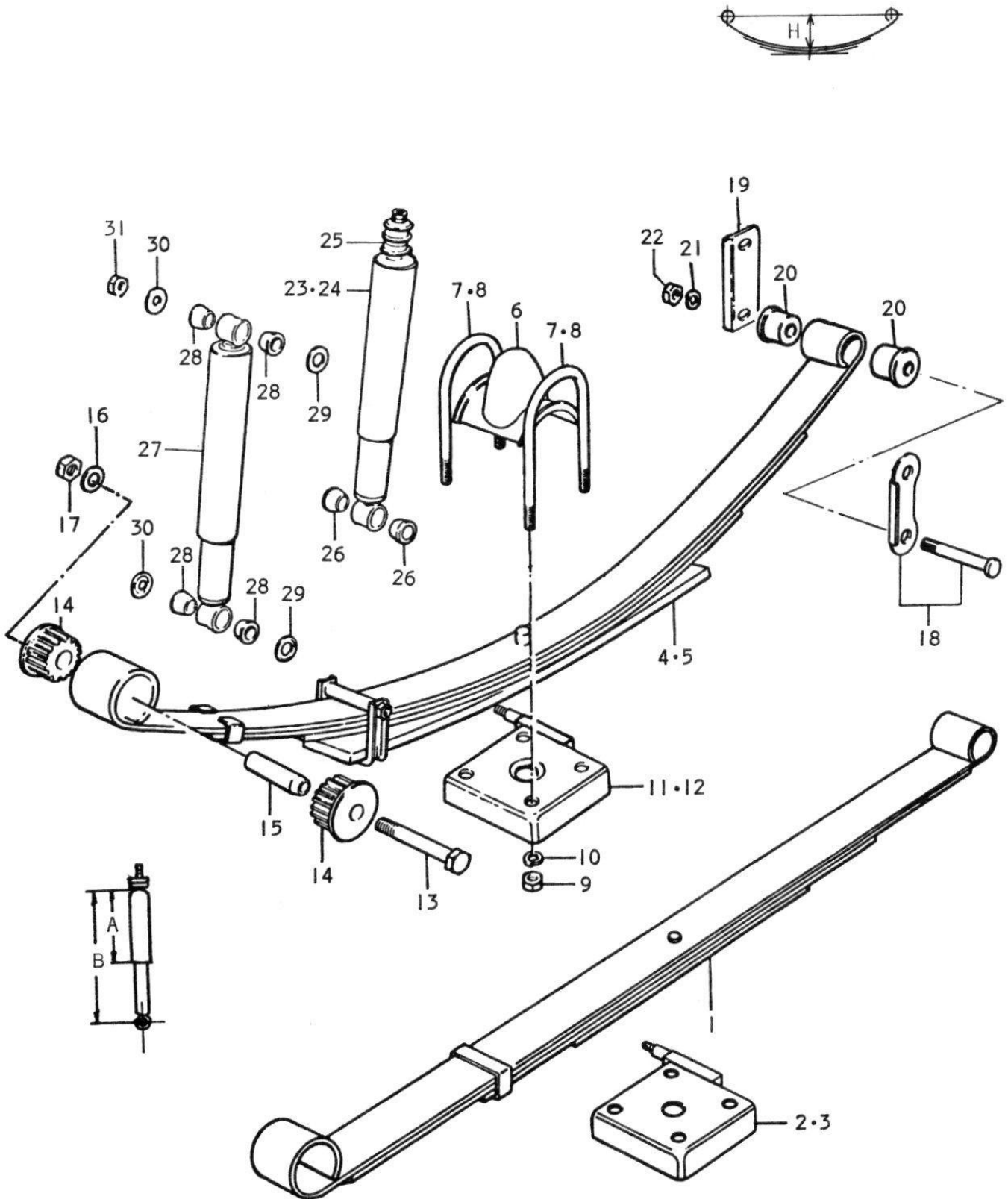
Ref.No.	Part No.	Description	Q'ty			Remarks
			O	V	K	
1	48250-70810	STEERING JOINT SET	1	1	1	
2	48270-52000	FLANGE, rubber joint	1	1	1	} E19, E25:2pcs
3	01107-08308	BOLT	1	1	1	
4	08321-21088	LOCK WASHER	1	1	1	
5	09440-18002	SPRING, horn earth	1	1	1	
6	48262-58000	PLATE, rubber joint	2	2	2	
7	01107-08258	BOLT	4	4	4	
8	08321-31088	LOCK WASHER	4	4	4	
9	08310-12088	NUT	4	4	4	
10	48600-63610	GEAR BOX ASSY, steering	1	1	1	
11	09111-12001	BOLT	3	3	3	
12	08321-31128	LOCK WASHER	3	3	3	
13	08310-22128	NUT	1	1	1	
14	01107-10208	BOLT	1	1	1	
15	08321-31108	LOCK WASHER	1	1	1	
16	48900-63621	DRUG ROD ASSY, steering	1	1	1	
17	48700-73010	LEVER, steering center	1	1	1	
18	09283-26011	.OIL SEAL	2	2	2	
19	09100-12018	BOLT	1	1	1	
20	08321-31128	LOCK WASHER	1	1	1	
21	08319-21128	NUT	1	1	1	
22	48850-73010	TIE ROD, steering	1	1	1	
23	09140-16010	NUT	1	1	1	RH threads
24	48836-63001	CONNECTOR, tie rod end	1	1	1	
25	09140-16011	NUT	1	1	1	LH threads
26	48820-63002	END, steering tie rod	1	1	1	
27	48831-73000	TIE ROD STEERING RH	1	1	1	
28	09140-16011	NUT	1	1	1	LH threads
29	48836-63001	CONNECTOR, tie rod end	1	1	1	
30	09140-16010	NUT	1	1	1	RH threads
31	48810-63002	END, steering tie rod	1	1	1	

FIG.45 STEERING LINK (for LHD)



Ref.No.	Part No.	Description	Q'ty			Remarks
			O	V	K	
32	08314-41108	NUT	6	6	6	
33	04111-25208	COTTER PIN	6	6	6	
34	48730-63241	DAMPER ASSY, steering	1	1	1	
35	08322-21128	WASHER	2	2	2	
36	09141-12001	NUT	1	1	1	
37	04111-30308	COTTER PIN	1	1	1	
38	09160-10028	WASHER	1	1	1	
39	08314-41108	NUT	1	1	1	
40	04111-25208	COTTER PIN	1	1	1	

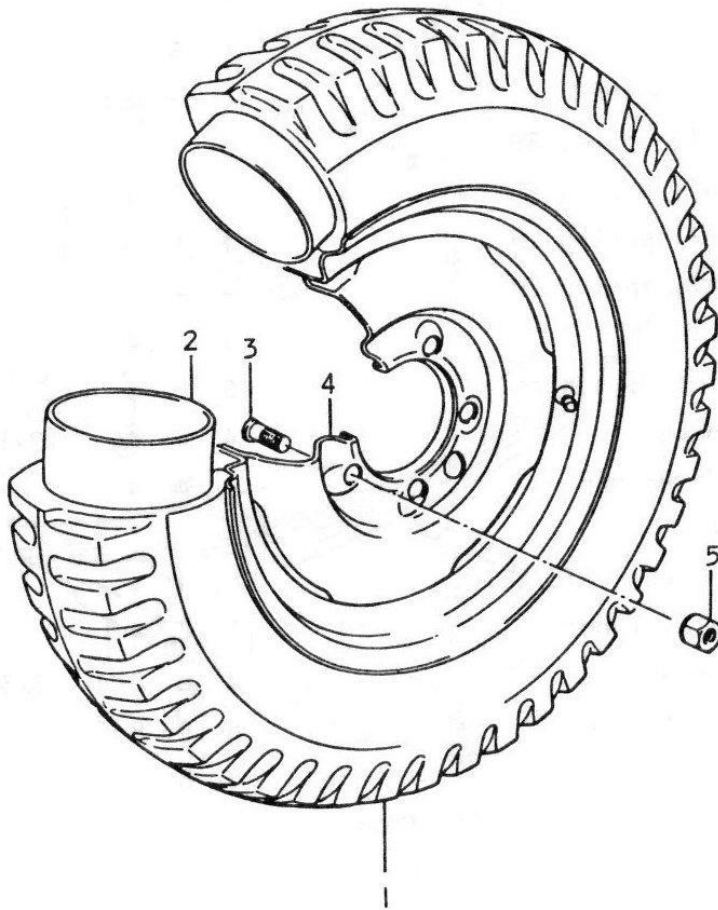
FIG.46 SUSPENSION





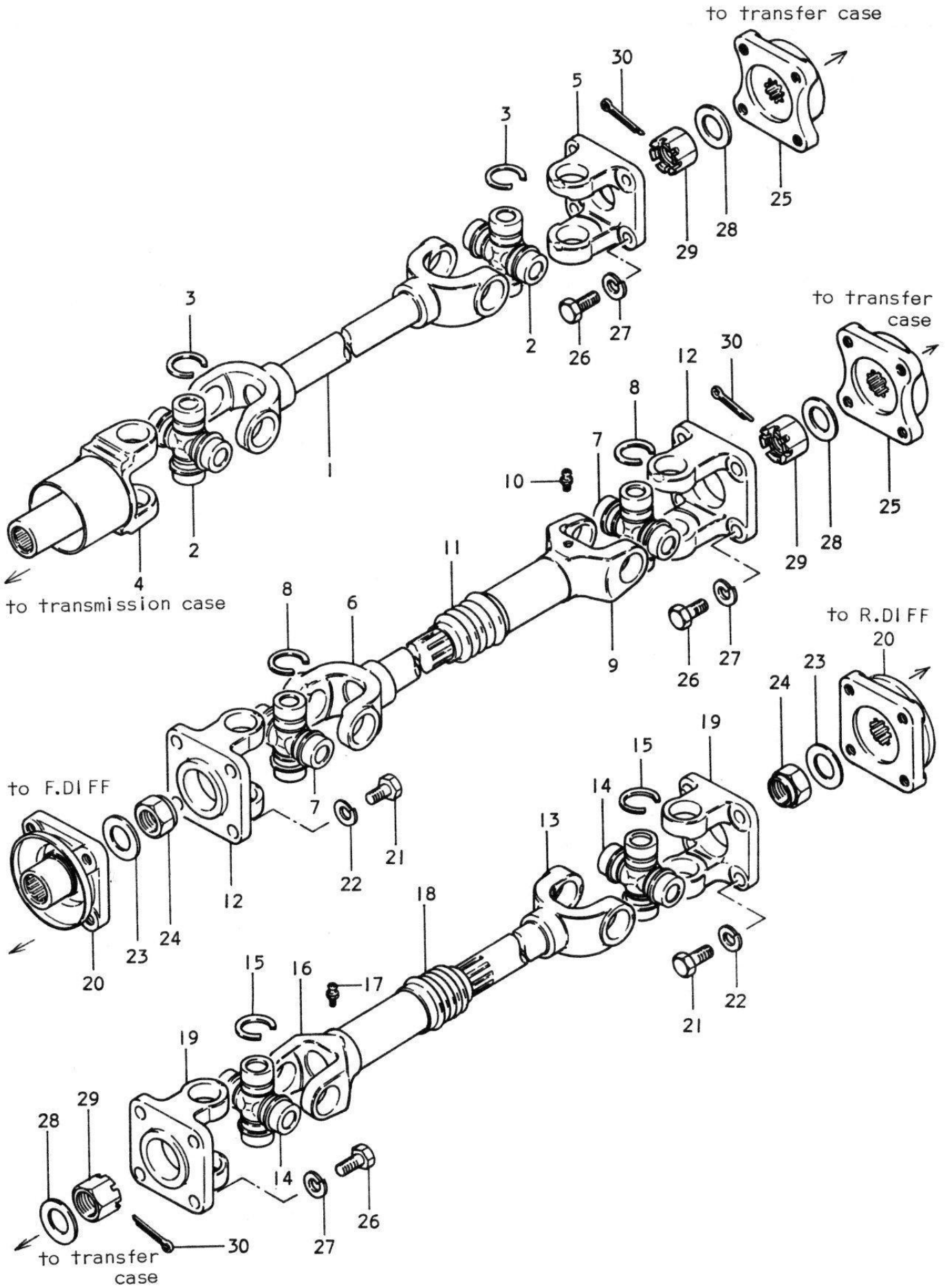
Ref.No.	Part No.	Description	Q'ty			Remarks
			O	V	K	
1-1	41110-73010	SPRING ASSY, front	2	2	2	
1-2	41110-73011	SPRING ASSY, front	2	2	-	E19, E25
2	41230-63001	SEAT, spring RH	1	1	1	
3	41240-63001	SEAT, spring LH	1	1	1	
4-1	41310-73010	SPRING ASSY, rear RH (H:120)	1	1	-	} RHD
4-2	41310-73011	SPRING ASSY, rear LH (H:108)	1	1	-	
4-3	41310-73010	SPRING ASSY, rear (H:120)	2	2	-	LHD
5	41310-63510	SPRING ASSY, rear (H:126)	-	-	2	
6	42150-61040	BUMPER, spring	4	4	4	
7	41411-61000	U BOLT, front spring	4	4	4	H:123
8	41411-69000	U BOLT, rear spring	4	4	4	H:133
9	09140-10004	NUT	16	16	16	
10	08321-31108	LOCK WASHER	16	16	16	
11-1	41230-73000	SEAT, spring RH	1	1	-	
11-2	41230-63500	SEAT, spring RH	-	-	1	
12-1	41240-73000	SEAT, spring LH	1	1	-	
12-2	41240-63500	SEAT, spring LH	-	-	1	
13	09100-12014	BOLT	4	4	4	12x87
14	41331-62020	BUSHING, spring	8	8	8	
15	09180-12035	SPACER	4	4	4	12x16x64.5
16	08321-31128	LOCK WASHER	4	4	4	
17	08310-12128	NUT	4	4	4	
18	41400-67820	SHACKLE PLATE SET	4	4	4	
19	41461-63000	PLATE, inner	4	4	4	
20	09305-13002	BUSHING	8	8	8	13x30x32
21	08321-31108	LOCK WASHER	8	8	8	
22	08310-12108	NUT	8	8	8	
23	41600-63011	SHOCK ABSORBER ASSY, front	2	2	2	A:174 B:395
24	41700-73010	SHOCK ABSORBER ASSY, rear	2	2	-	A:194 B:435
25	41792-51110	•RUBBER BUSH, upper	8	8	4	
26	41781-52010	•RUBBER BUSH, lower	8	8	4	
27	41700-63011	SHOCK ABSORBER ASSY, rear	-	-	2	
28	41781-52010	•RUBBER BUSH	-	-	8	
29	09164-17001	WASHER (2)	4	4	6	17x34
30	09164-13003	WASHER (1)	4	4	6	13x34
31	08310-12128	NUT	4	4	6	

FIG.47 WHEEL RIM - TIRE



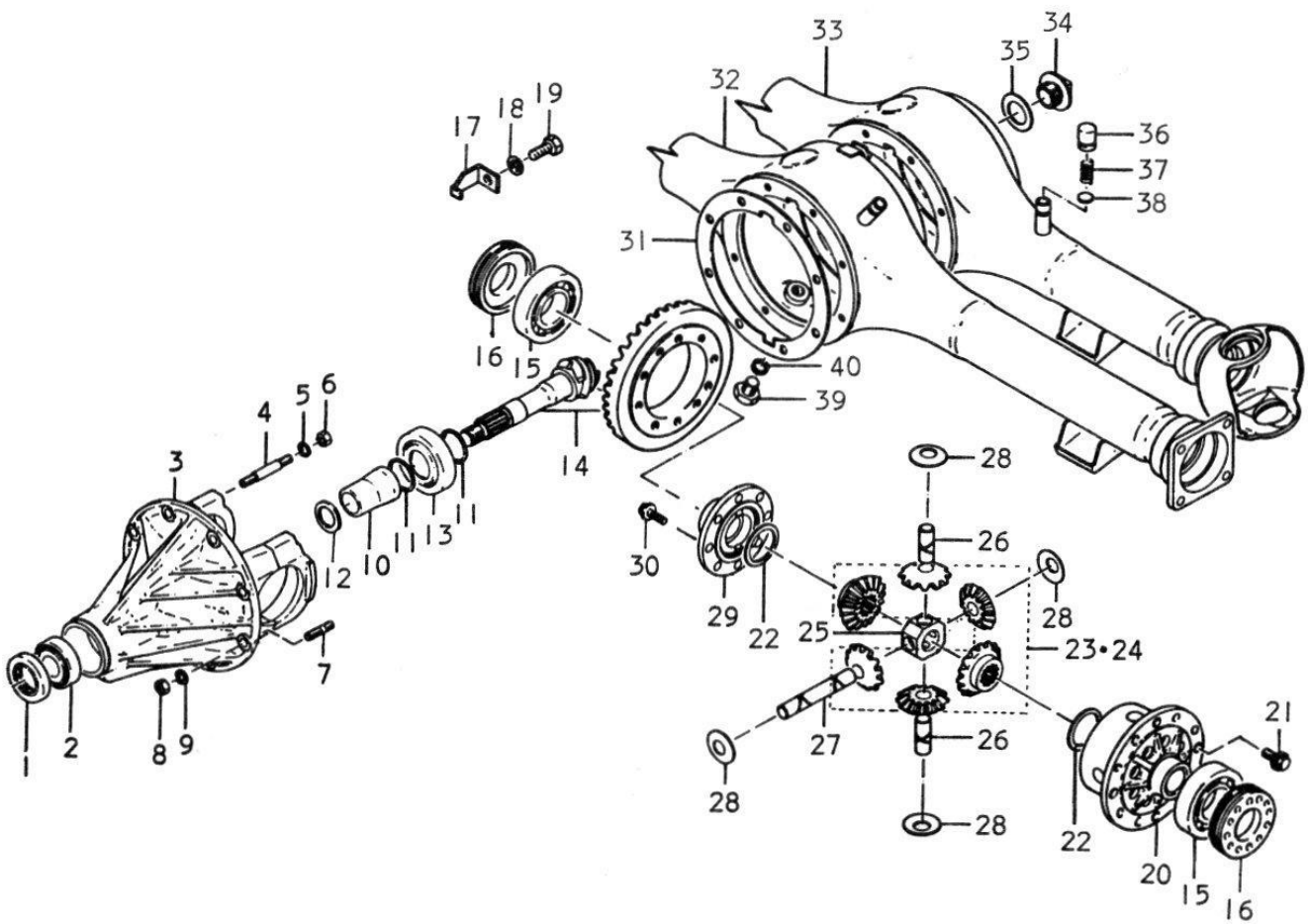
Ref.No.	Part No.	Description	Q'ty			Remarks
			O	V	K	
1-1	43110-63610	TIRE	5	5	5	6.00-16
1-2	43110-73010	TIRE	5	-	-	6.50-16, sand tire
1-3	43110-73020	TIRE	5	5	-	6.00-16, E2
2-1	43120-63030	TUBE	5	5	5	6.00-16
2-2	43120-73010	TUBE	5	-	-	6.50-16, sand tire
2-3	43120-73020	TUBE	5	5	-	6.00-16, E2
3-1	43210-63050-019	WHEEL ASSY ( brack )	5	5	5	4.50Ex16
3-2	43210-63050-296	WHEEL ASSY ( white )	5	5	5	4.50Ex16
4	09119-12003	BOLT	20	20	20	
5	09140-12013	NUT	20	20	20	

FIG.48 DRIVE SHAFT



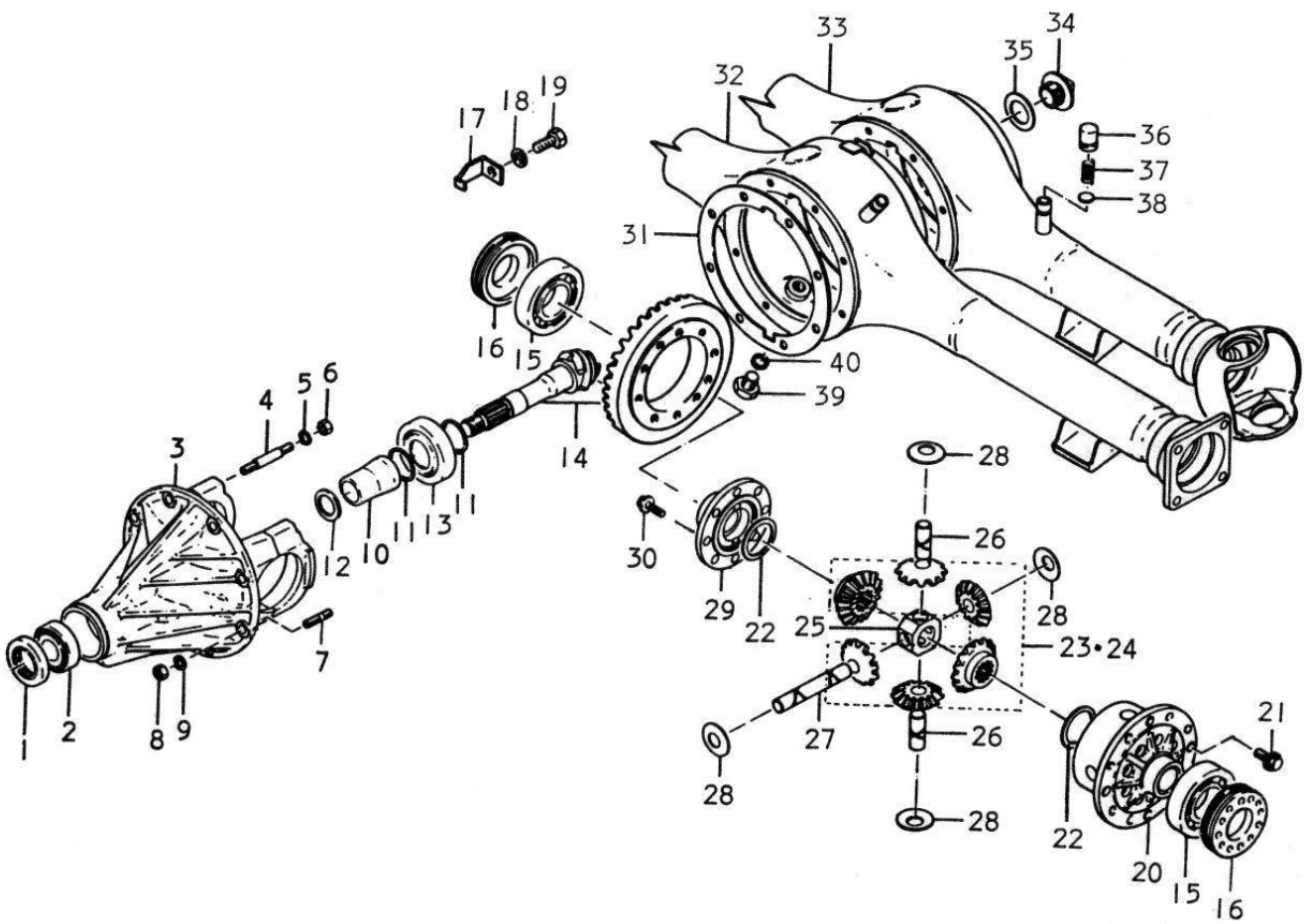
Ref.No.	Part No.	Description	Q'ty			Remarks
			O	V	K	
1	27171-73000	SHAFT, propeller (1)	1	1	1	
2	27200-73810	JOINT SET, universal	2	2	2	
3	09380-25005	•CIRCLIP	8	8	8	
4	27140-73000	YOKE, sliding	1	1	1	
5	27131-73000	YOKE, joint flange	1	1	1	
6	27150-73000	SHAFT, propeller (2)	1	1	1	front drive
7	27200-73810	JOINT SET, universal	2	2	2	
8	09380-25005	•CIRCLIP	8	8	8	
9	27180-73000	YOKE, sliding	1	1	1	
10	08351-21008	GREASE NIPPLE	1	1	1	
11	27153-62020	BOOTS, propeller shaft	1	1	1	
12	27131-73000	YOKE, joint flange	2	2	2	
13-1	27160-73000	SHAFT, propeller (3)	1	1	-	} rear drive
13-2	27160-63501	SHAFT, propeller (3)	-	-	1	
14	27200-73810	JOINT SET, universal	2	2	2	
15	09380-25005	•CIRCLIP	8	8	8	
16	27180-73000	YOKE, sliding	1	1	1	
17	08351-21008	GREASE NIPPLE	1	1	1	
18	27153-62020	BOOTS, propeller shaft	1	1	1	
19	27131-73000	YOKE, joint flange	2	2	2	
20	27130-63200	FLANGE, joint	2	2	2	
21	09100-08091	BOLT	8	8	8	8x21.5
22	08321-21088	LOCK WASHER	8	8	8	
23	09160-19010	WASHER	2	2	2	19x32x3.2
24	09159-18003	NUT	2	2	2	
25	27110-60500	FLANGE, joint	2	2	2	
26	09100-08091	BOLT	12	12	12	8x21.5
27	08321-21088	LOCK WASHER	12	12	12	
28	09160-16006	WASHER	3	3	3	16.5x30x2.6
29	08314-41168	NUT	3	3	3	
30	04111-30308	COTTER PIN	3	3	3	

FIG.49 DIFFERENTIAL GEAR



Ref.No.	Part No.	Description	Q'ty			Remarks
			O	V	K	
1	09283-35008	OIL SEAL	2	2	2	
2	09265-25005	BEARING	2	2	2	
3	27400-63851	CARRIER SET, differential	2	2	2	
4	09108-10014	•STUD BOLT	8	8	8	
5	08321-31108	•LOCK WASHER	8	8	8	
6	08310-12108	•NUT	8	8	8	
7	01411-08258	•STUD BOLT	16	16	16	
8	08310-12088	NUT	16	16	16	
9	08321-21088	LOCK WASHER	16	16	16	
10	27315-63200	SPACER, drive bevel pinion	2	2	2	
11-1	08221-30362	SHIM (1)	AR(0~16)			T:0.05
11-2	08221-30383	SHIM (2)	AR(0~16)			T:0.1
11-3	08221-30385	SHIM (3)	AR(0~16)			T:0.5
11-4	09181-30001	SHIM (4)	AR(0~2)			T:0.03
12	09181-26002	SHIM (5)	AR(0~2)			T:0.03
13	09265-30002	BEARING	2	2	2	
14	27300-73811	GEAR PINION SET, drive bevel	2	2	2	
15	09265-40001	BEARING, differential side	4	4	4	
16	27461-63200	ADJUSTER, bearing	4	4	4	
17	27462-63200	LOCK PLATE	4	4	4	
18	08321-21088	LOCK WASHER	4	4	4	
19	01107-08128	BOLT	4	4	4	
20	27411-63204	CASE, differential LH	2	2	2	
21	09100-10100	BOLT	20	20	20	
22-1	09160-35002	THRUST WASHER (1)	AR(0~4)			T:1.0
22-2	09160-35003	THRUST WASHER (2)	AR(0~4)			T:1.1
22-3	09160-35004	THRUST WASHER (3)	AR(0~4)			T:1.2
23	27300-73830	DIFF SIDE GEAR SET, front	1	1	1	spline
24	27300-73820	DIFF SIDE GEAR SET, rear	1	1	1	serration
25	27356-63000	JOINT	2	2	2	
26	27355-63200	SHAFT, pinion (2)	4	4	4	L:42
27	27351-63200	SHAFT, pinion (1)	2	2	2	L:99
28	09164-15003	THRUST WASHER	8	8	8	
29	27421-63203	CASE, differential RH	2	2	2	
30	09103-08030	BOLT	16	16	16	
31	27471-63200	GASKET, differential carrier	2	2	2	

FIG.49 DIFFERENTIAL GEAR





Ref.No.	Part No.	Description	Q'ty			Remarks
			O	V	K	
32	46510-73011	HOUSING, rear axle	1	1	1	
33	46480-73011	HOUSING, front axle	1	1	1	
34	09247-20001	PLUG, oil level	2	2	2	
35	09168-20001	GASKET	2	2	2	
36	46541-52002	CAP, breather	2	2	2	
37	09440-12004	SPRING, breather	2	2	2	
38	46542-52000	VALVE, breather	2	2	2	
39	09247-12003	PLUG, drain	2	2	2	
40	09168-12003	GASKET	2	2	2	12x16.7x2

FIG.50 FRONT AXLE

